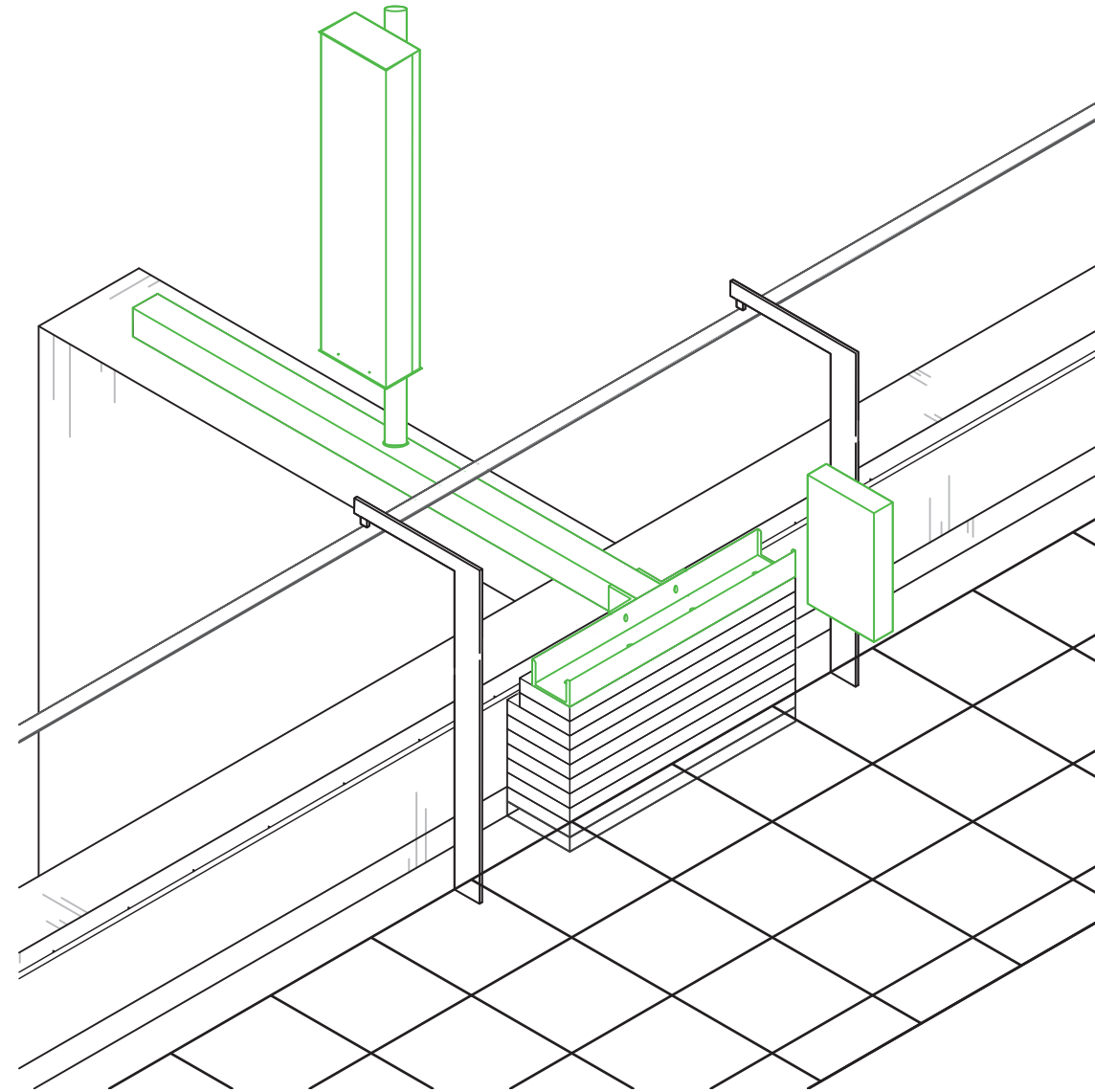


NOTES:

1. ALL DIMENSIONS IN MM UNLESS OTHERWISE NOTED.
2. THIS DRAWING TO BE READ IN CONJUNCTION WITH:
CAM(TBC) - 100 / 109



ISOMETRIC VIEW
(SCALE: NTS)



WALDON TELECOM
PHOENIX HOUSE
PYRFORD ROAD
WEST BYFLEET
SURREY
KT14 6RA

TEL : 01932 411011
FAX : 01932 411012

ISS.	JOB No.	DESCRIPTION	Rev'd	Date	App'd	Date
A	CAM(TBC)	ISSUED FOR CONSTRUCTION	ST	07/02/2019	FD	07/02/2019
DRAWN	ST	CHECKED	FD	APPROVED	FD	
DATE	07/02/2019	DATE	07/02/2019	DATE	07/02/2019	

SITE No.	CAM(TBC)	SITE NAME	GRANARY SQUARE
TITLE	PROPOSED ANTENNA FRAME ISOMETRIC VIEW		
ADDRESS	GRANARY BUILDING 1 GRANARY SQUARE, KINGS ROAD LONDON		
POST CODE	N1C 4AA	DRAWING No.	CAM(TBC)-105
PURPOSE OF ISSUE	CONSTRUCTION	ISSUE	A

SCALE: **As Shown**

