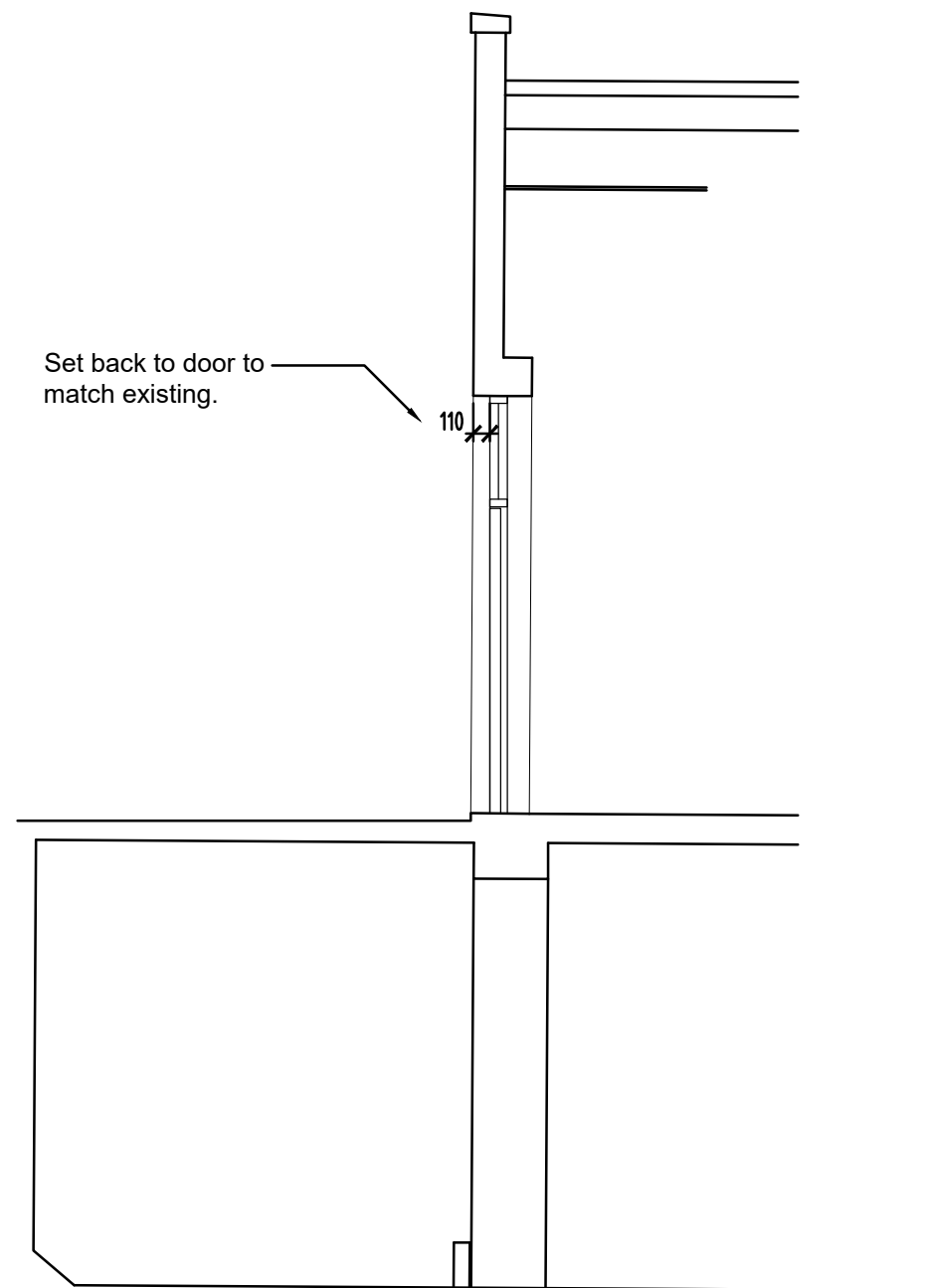
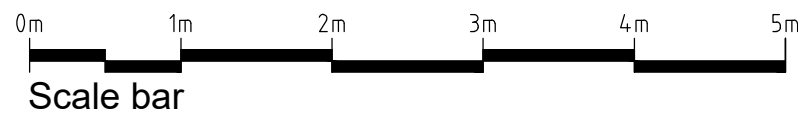


Section through new window
Churchway Elevation



Section through new door
Churchway Elevation

| REV | DESCRIPTION | DATE | INIT | CHKD |
|--------|-----------------|------|------|------|
| STATUS | FOR INFORMATION | | | |

Client
Moorgarth Group Ltd

Project
41 Chalton Street and 48 Churchway
London NW1 1JD

Title
Section Through Churchway Elevation
New Doors and windows

| Scale | Date | Drawn | Checked |
|-------------|-------------|----------|---------|
| 1:50@A3 | 26/03/2019 | N/A | N/A |
| Project No: | Drawing No. | Revision | |
| 2018/267 | 006 | | |