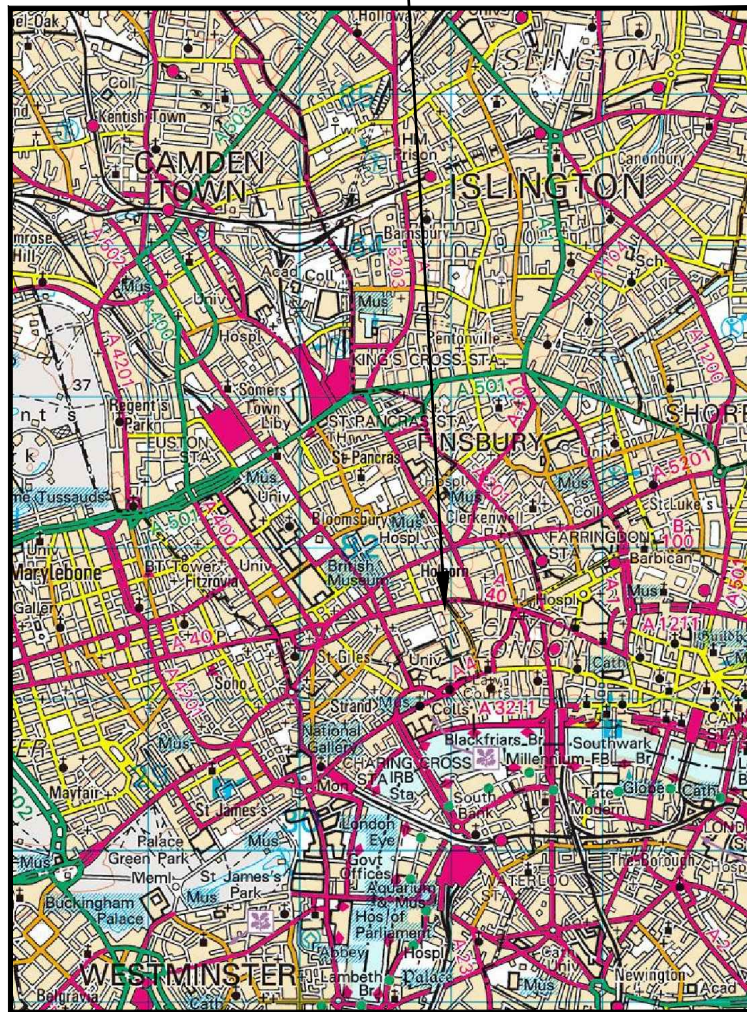
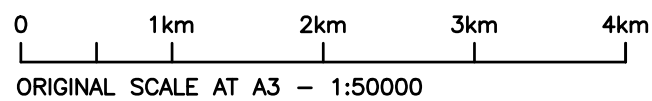


SITE LOCATION



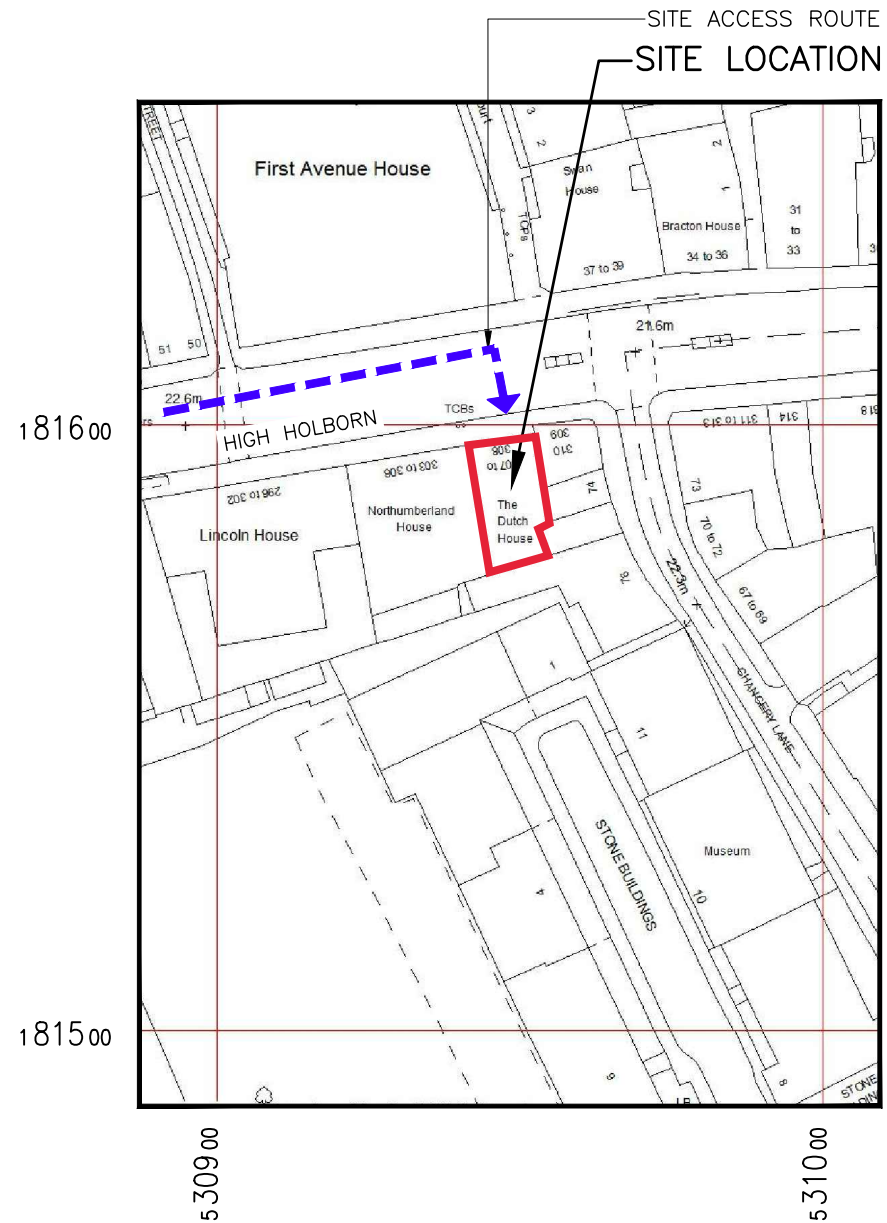
SITE LOCATION PLAN
(Scale 1:50,000)



ORIGINAL SCALE AT A3 - 1:50000

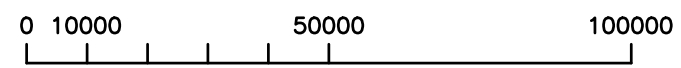


SITE PHOTO



SITE LOCATION PLAN
(Scale 1:1250)

N.G.R. E: 530949, N: 181593
Based upon Ordnance Survey map extract
with the permission of the Controller of
Her Majesty's Stationery Office.
Crown copyright.
Promap Licence No.100035093



ORIGINAL SCALE AT A3 - 1:1250
ALL DIMENSIONS IN MILLIMETRES

- 1 ALL DIMENSIONS ARE IN mm UNLESS NOTED OTHERWISE
- 2 DO NOT SCALE DRAWINGS
- 3 BOXED GREEN TEXT INDICATES PROPOSED WORKS

No.	Revision	By	Ckd	Date
A1	Preliminary Issue For Comment	NTA	TM	09.01.19



7400 Cambridge Research Park
Beach Drive, Waterbeach
Cambridge
CB25 9TN
Tel: 01223 792150
Fax: 01223 862752
e: info@sitec-is.co.uk
w: www.sitec-is.co.uk

Site Name & Address:

THE DUTCH HOUSE
307 HIGH HOLBORN
HOLBORN
LONDON
WC1V 7LL

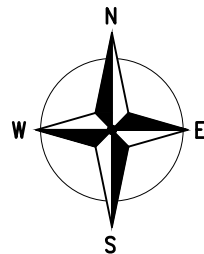
Drawing Title: SITE LOCATION PLAN

Purpose of Issue: PLANNING

Drawing No: CAM0012 01

UKB CELL ID:
CAM0012

Scale:	As Shown	Drawn:	NTA	Date:	09.01.19	Issue:	
Checked:	TM	Date:	09.01.19	Approved:	TM	Date:	09.01.19
							A1



EQUIPMENT SCHEDULE				
MANUFACTURER	TYPE	SIZE	COLOUR	NOTES
HUAWEI	APM-30H	600x480x700mm	GREY	TO BE REMOVED

DISH KEY				
DISH REF	DISH DIA	BEARING	HEIGHT TO CENTER (AGL)	LINK No.
D-1-1	300Ø	36°	32.0m	CAM0012-ISL1001
D-2-2	300Ø	TBC°	32.0m	FUTURE PROPOSED

GROUND LEVEL
00.0m

EXISTING ANTENNA KEY				FEEDER KEY			
ANT. REF.	ANTENNA TYPE	BEARING	HEIGHT TO TOP	TYPE	SIZE	LENGTH	No. OF FEEDERS
A1	SL12436A	90°	32.5m	COAX	1/2"	2m	4
B1	SL12436A	190°	32.5m	COAX	1/2"	2m	4
C1	SL12436A	330°	32.5m	COAX	1/2"	2m	4
GPS	HUAWEI GPS	-	32.6m	COAX	RG236	20.0m	1

REMOTE HEAD SCHEDULE						
RH REF	ANTENNA REF	MANUFACTURER	TYPE	SIZE	FIXING METHOD	FIBRE/DC CABLE LENGTH
RRU1	A1	HUAWEI	3232	356x480x140	POLE MOUNTED	9.0m
RRU2	B1	HUAWEI	3232	356x480x140	POLE MOUNTED	15.0m
RRU3	C1	HUAWEI	3232	356x480x140	POLE MOUNTED	4.0m

POWER SCHEDULE			
TYPE	SUPPLIER	SUPPLY TYPE	LOCATION
LL	-	EXISTING SP&N 20A	D/B WITHIN PLANTROOM

1 ALL DIMENSIONS ARE IN mm UNLESS NOTED OTHERWISE
2 DO NOT SCALE DRAWINGS
3 BOXED GREEN TEXT INDICATES PROPOSED WORKS

No.	Revision	By	Ckd	Date
A1	Preliminary Issue For Comment	NTA	TM	09.01.19

EXISTING 1100 HIGH FREE STANDING HANDRAIL

EXISTING 2No. VF ANTENNAS MOUNTED ON CLIMBABLE SUPPORT POLE FIXED TO PLANT ROOM WALL

EXISTING UK BROADBAND HUAWEI BTS3900A APM30H ver C CABINET ON CANTILEVERED FRAME

EXISTING 1No. UK BROADBAND ANTENNA MOUNTED ON CLIMBABLE SUPPORT POLE FIXED TO PLANT ROOM WALL. 1No. RRU 3232 MOUNTED TO REAR OF SUPPORT POLE

EXISTING VF ROOF MOUNTED CABLE TRAY

EXISTING WALL MOUNTED AC UNITS

EXISTING 1No. UK BROADBAND GPS ANTENNA MOUNTED ON SUPPORT POLE AND OFFSET BRACKETS

EXISTING 1No. UK BROADBAND ANTENNA MOUNTED ON CLIMBABLE SUPPORT POLE FIXED TO PLANT ROOM WALL. 1No. RRU 3232 MOUNTED TO REAR OF SUPPORT POLE. 1No. 300Ø (D-2-2 @TBC) NOT YET INSTALLED

EXISTING UK BROADBAND 150 WIDE CABLE TRAY LAID FLAT ON ROOF

EXISTING 1100 HIGH FREE STANDING HANDRAIL

ROOF LEVEL
25.2m AGL

EXISTING 2No. VF EQUIPMENT CABINETS ON STEEL GRILLAGE

ROOF LEVEL
28.2m AGL

EXISTING UK BROADBAND 150 WIDE CABLE TRAY FIXED TO PLANT ROOM WALL

EXISTING ROOF ACCESS DOOR

EXISTING 1No. UK BROADBAND 300Ø DISH D-1-1 @36° MOUNTED ON SUPPORT POLE AND OFFSET BRACKETS

EXISTING 1No. UK BROADBAND ANTENNA MOUNTED ON CLIMBABLE SUPPORT POLE FIXED TO PLANT ROOM WALL. 1No. RRU 3232 MOUNTED TO REAR OF SUPPORT POLE

EXISTING SPARE SUPPORT POLE FIXED TO PLANT ROOM WALL

EXISTING RF AERIAL FIXED TO PLANT ROOM WALL

EXISTING 1No. VF ANTENNA MOUNTED ON SUPPORT POLE FIXED TO PLANT ROOM WALL

EXISTING SPARE SUPPORT POLE FIXED TO PLANT ROOM WALL



7400 Cambridge Research Park
Beach Drive, Waterbeach
Cambridge
CB25 9TN

sitec
Infrastructure Services Ltd

Tel: 01223 792150
Fax: 01223 862752
e: info@sitec-is.co.uk
w: www.sitec-is.co.uk

Site Name & Address:

THE DUTCH HOUSE
307 HIGH HOLBORN
HOLBORN
LONDON
WC1V 7LL

Drawing Title: EXISTING SITE PLAN

Purpose of Issue: PLANNING

Drawing No: CAM0012 02

UKB CELL ID:
CAM0012

Scale:	As Shown	Drawn:	NTA	Date:	09.01.19	Issue:		
Checked:	TM	Date:	09.01.19	Approved:	TM	Date:	09.01.19	A1

EXISTING SITE PLAN

(SCALE: 1:100)

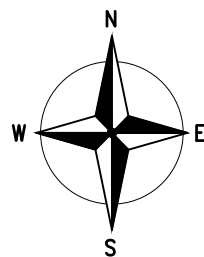
5000 0 5000 10000

ORIGINAL SCALE AT A3 - 1:100

ALL DIMENSIONS IN MILLIMETRES

These drawings comply with Standard ICNIRP guidelines.
Designed in accordance with UK Broadband document: UKB_5GD_DEL_DES_MISC_001

A3



EQUIPMENT SCHEDULE				
MANUFACTURER	TYPE	SIZE	COLOUR	NOTES
HUAWEI	APM-30H	600x480x700mm	GREY	TO BE REMOVED
HUAWEI	APM5930	600x480x700mm	GREY	POPULATED WITH NEW EQUIPMENT
HUAWEI	SUPPORT CABINET	TBC	GREY	TO BE INSTALLED

DISH KEY				
DISH REF	DISH DIA	BEARING	HEIGHT TO CENTER (AGL)	LINK No.
D-1-1	300Ø	36°	32.0m	CAM0012-ISL1001
D-2-2	300Ø	TBC°	32.0m	FUTURE PROPOSED

GROUND LEVEL 00.0m

EXISTING ANTENNA KEY				FEEDER KEY			
ANT. REF.	ANTENNA TYPE	BEARING	HEIGHT TO TOP	TYPE	SIZE	LENGTH	No. OF FEEDERS
A1	AAU5614	90°	32.45m	FIBRE/DC	-	15m	2
A2	AHP4517R7v06	90°	33.75m	COAX	1/2"	2m	12
B1	AAU5614	190°	32.45m	FIBRE/DC	-	25m	2
B2	AHP4517R7v06	190°	33.75m	COAX	1/2"	2m	12
C1	AAU5614	330°	32.45m	FIBRE/DC	-	15m	2
C2	AHP4517R7v06	330°	33.75m	COAX	1/2"	2m	12
GPS	HUAWEI GPS	-	33.8m	COAX	RG236	40.0m	1

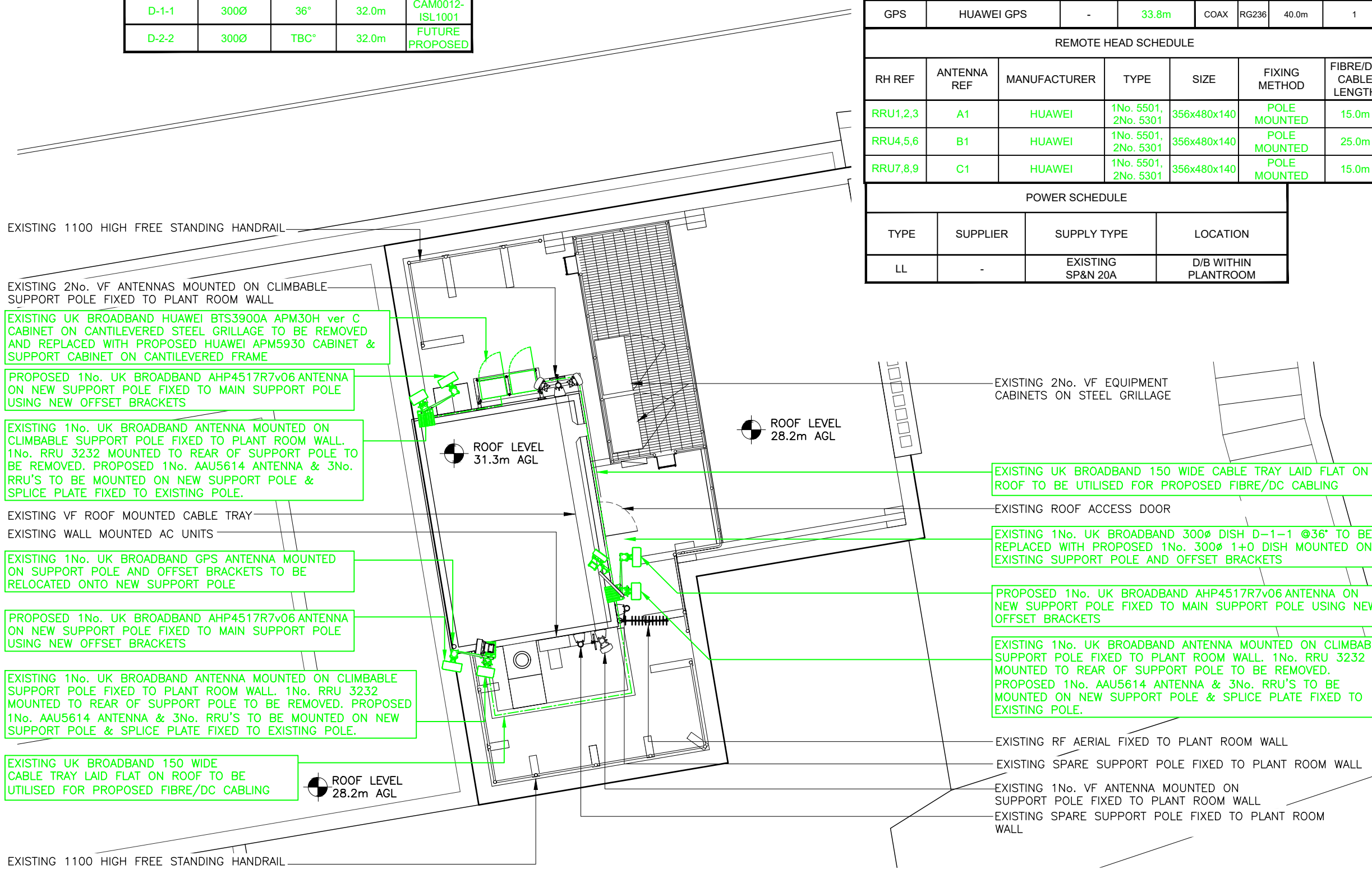
REMOTE HEAD SCHEDULE						
RH REF	ANTENNA REF	MANUFACTURER	TYPE	SIZE	FIXING METHOD	FIBRE/DC CABLE LENGTH
RRU1,2,3	A1	HUAWEI	1No. 5501, 2No. 5301	356x480x140	POLE MOUNTED	15.0m
RRU4,5,6	B1	HUAWEI	1No. 5501, 2No. 5301	356x480x140	POLE MOUNTED	25.0m
RRU7,8,9	C1	HUAWEI	1No. 5501, 2No. 5301	356x480x140	POLE MOUNTED	15.0m

POWER SCHEDULE			
TYPE	SUPPLIER	SUPPLY TYPE	LOCATION
LL	-	EXISTING SP&N 20A	D/B WITHIN PLANTROOM

1 ALL DIMENSIONS ARE IN mm UNLESS NOTED OTHERWISE
 2 DO NOT SCALE DRAWINGS
 3 BOXED GREEN TEXT INDICATES PROPOSED WORKS

NOTE: CABLE TRAY SECTION JOINT SHALL HAVE A SEPARATE EARTH CONTINUITY TAPE ADDED ACROSS JOINT TO ASSURE FULL CONTINUITY

No.	Revision	By	Ckd	Date
A1	Preliminary Issue For Comment			09.01.19



7400 Cambridge Research Park
 Beach Drive, Waterbeach
 Cambridge
 CB25 9TN
sitec
 Infrastructure Services Ltd
 Tel: 01223 792150
 Fax: 01223 862752
 e: info@sitec-is.co.uk
 w: www.sitec-is.co.uk

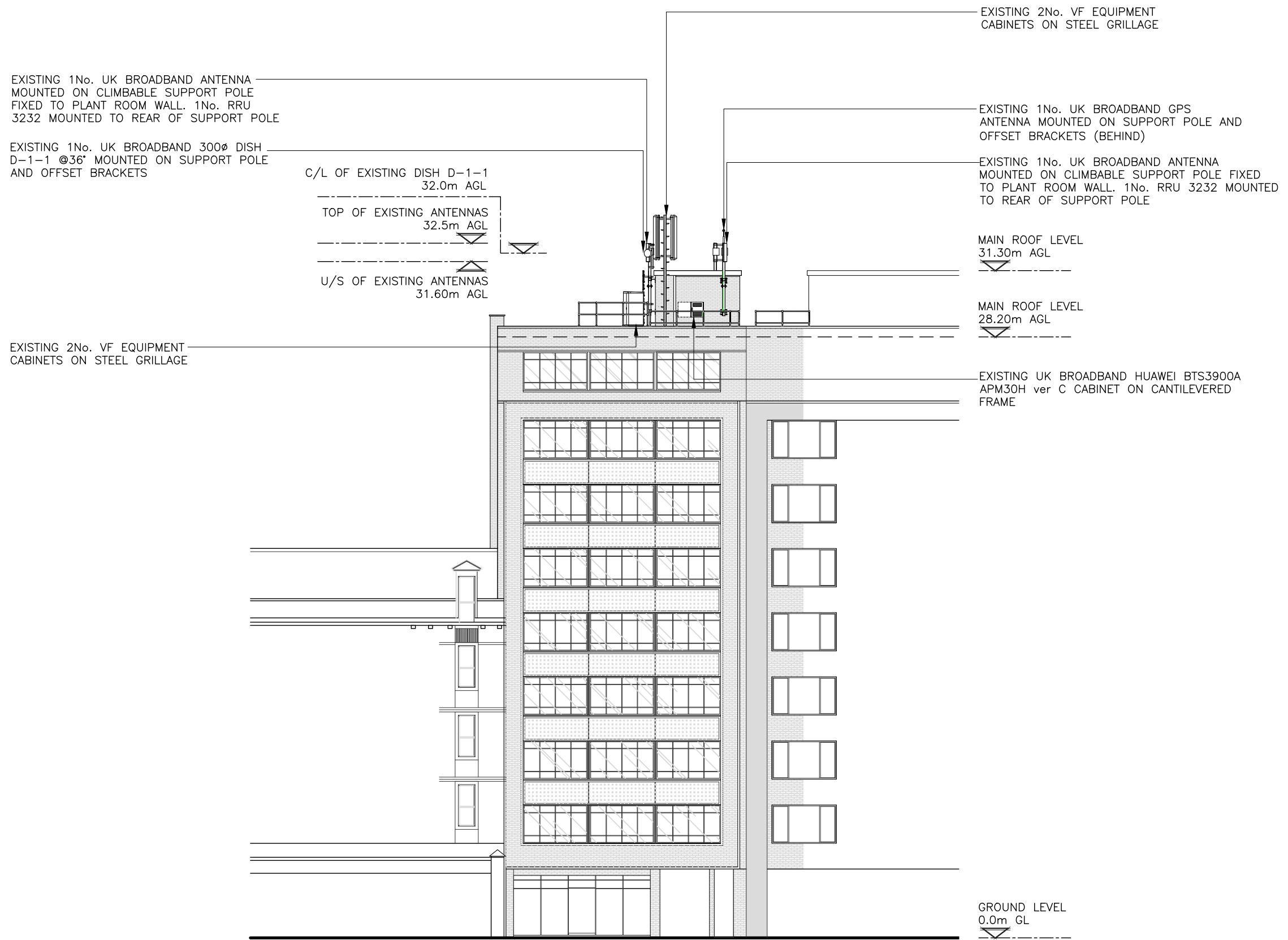
Site Name & Address:
 THE DUTCH HOUSE
 307 HIGH HOLBORN
 HOLBORN
 LONDON
 WC1V 7LL

Drawing Title: PROPOSED SITE PLAN			
Purpose of Issue: PLANNING			
Drawing No: CAM0012 03			
UKB CELL ID: CAM0012			
Scale: As Shown	Drawn: NTA	Date: 09.01.19	Issue:
Checked: TM	Date: 09.01.19	Approved: TM	Date: 09.01.19

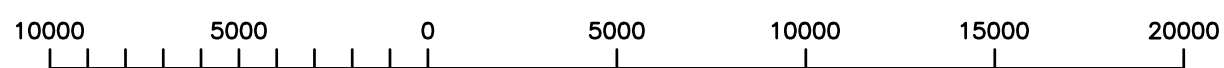
These drawings comply with Standard ICNIRP guidelines.
 Designed in accordance with UK Broadband document: UKB_SGD_DEL_DES_MISC_001

PROPOSED SITE PLAN (SCALE: 1:100)
 ORIGINAL SCALE AT A3 - 1:100
 ALL DIMENSIONS IN MILLIMETRES

- 1 ALL DIMENSIONS ARE IN mm UNLESS NOTED OTHERWISE
- 2 DO NOT SCALE DRAWINGS
- 3 BOXED GREEN TEXT INDICATES PROPOSED WORKS



EXISTING NORTH ELEVATION
(SCALE: 1:200)



ORIGINAL SCALE AT A3 - 1:200

ALL DIMENSIONS IN MILLIMETRES

These drawings comply with **Standard** ICNIRP guidelines.
Designed in accordance with UK Broadband document: UKB_5GD_DEL_DES_MISC_001

A1	Preliminary Issue For Comment	NTA	TM	09.01.19
No.	Revision	By	Ckd	Date



7400 Cambridge Research Park
Beach Drive, Waterbeach
Cambridge
CB25 9TN

sitec
Infrastructure Services Ltd

Tel: 01223 792150
Fax: 01223 862752
e: info@sitec-is.co.uk
w: www.sitec-is.co.uk

Site Name & Address:

THE DUTCH HOUSE
307 HIGH HOLBORN
HOLBORN
LONDON
WC1V 7LL

Drawing Title: **EXISTING SITE ELEVATION**

Purpose of Issue: **PLANNING**

Drawing No: **CAM0012 04**

UKB CELL ID:
CAM0012

Scale:	As Shown	Drawn:	NTA	Date:	09.01.19	Issue:	
Checked:	TM	Date:	09.01.19	Approved:	TM	Date:	09.01.19
							A1

- 1 ALL DIMENSIONS ARE IN mm UNLESS NOTED OTHERWISE
- 2 DO NOT SCALE DRAWINGS
- 3 BOXED GREEN TEXT INDICATES PROPOSED WORKS

EXISTING 1No. UK BROADBAND 300Ø DISH D-1-1 @36° TO BE REPLACED WITH PROPOSED 1No. 300Ø 1+0 DISH MOUNTED ON EXISTING SUPPORT POLE AND OFFSET BRACKETS

PROPOSED 1No. UK BROADBAND AHP4517R7v06 ANTENNA ON NEW SUPPORT POLE FIXED TO MAIN SUPPORT POLE USING NEW MAFI 3272 OFFSET BRACKETS

EXISTING 1No. UK BROADBAND ANTENNA MOUNTED ON CLIMBABLE SUPPORT POLE FIXED TO PLANT ROOM WALL. 1No. RRU 3232 MOUNTED TO REAR OF SUPPORT POLE TO BE REMOVED. PROPOSED 1No. AAU5614 ANTENNA & 3No. RRU'S TO BE MOUNTED ON NEW SUPPORT POLE & SPLICE PLATE FIXED TO EXISTING POLE.

EXISTING 2No. VF EQUIPMENT CABINETS ON STEEL GRILLAGE

PROPOSED 1No. UK BROADBAND AHP4517R7v06 ANTENNA ON NEW SUPPORT POLE FIXED TO MAIN SUPPORT POLE USING NEW MAFI 3272 OFFSET BRACKETS

EXISTING 1No. UK BROADBAND ANTENNA MOUNTED ON CLIMBABLE SUPPORT POLE FIXED TO PLANT ROOM WALL. 1No. RRU 3232 MOUNTED TO REAR OF SUPPORT POLE TO BE REMOVED. PROPOSED 1No. AAU5614 ANTENNA & 3No. RRU'S TO BE MOUNTED ON NEW SUPPORT POLE & SPLICE PLATE FIXED TO EXISTING POLE.

EXISTING 1No. UK BROADBAND GPS ANTENNA MOUNTED ON SUPPORT POLE AND OFFSET BRACKETS TO BE RELOCATED ONTO NEW SUPPORT POLE (BEHIND)

MAIN ROOF LEVEL 31.30m AGL

MAIN ROOF LEVEL 28.20m AGL

EXISTING UK BROADBAND HUAWEI BTS3900A APM30H ver C CABINET ON CANTILEVERED STEEL GRILLAGE TO BE REMOVED AND REPLACED WITH PROPOSED HUAWEI APM5930 CABINET & SUPPORT CABINET ON CANTILEVERED FRAME

EXISTING 2No. VF EQUIPMENT CABINETS ON STEEL GRILLAGE

C/L OF EXISTING DISH D-1-1 32.0m AGL

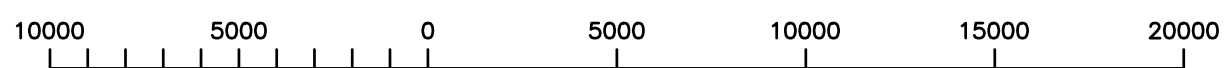
TOP OF PROPOSED ANTENNAS 33.75m AGL

U/S OF PROPOSED ANTENNAS A1, B1, C1 32.45m AGL

U/S OF PROPOSED ANTENNAS A2, B2, C2 31.65m AGL

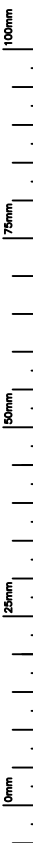
GROUND LEVEL 0.0m GL

PROPOSED NORTH ELEVATION
(SCALE: 1:200)



ORIGINAL SCALE AT A3 - 1:200

ALL DIMENSIONS IN MILLIMETRES



These drawings comply with **Standard** ICNIRP guidelines.
Designed in accordance with UK Broadband document: UKB_5GD_DEL_DES_MISC_001

A1	Preliminary Issue For Comment	NTA	TM	09.01.19
No.	Revision	By	Ckd	Date



7400 Cambridge Research Park
Beach Drive, Waterbeach
Cambridge
CB25 9TN

Tel: 01223 792150
Fax: 01223 862752
e: info@sitec-is.co.uk
w: www.sitec-is.co.uk

Site Name & Address:

THE DUTCH HOUSE
307 HIGH HOLBORN
HOLBORN
LONDON
WC1V 7LL

Drawing Title: **PROPOSED SITE ELEVATION**

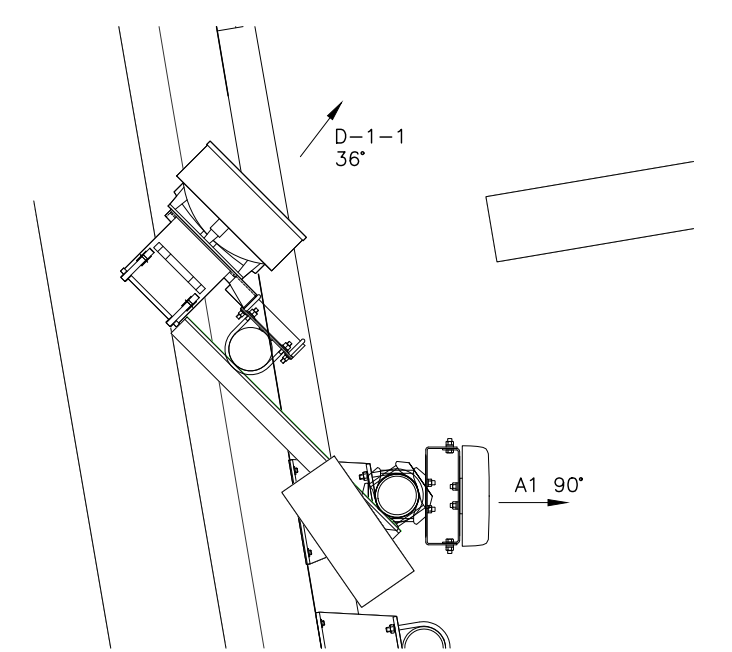
Purpose of Issue: **PLANNING**

Drawing No: **CAM0012 05**

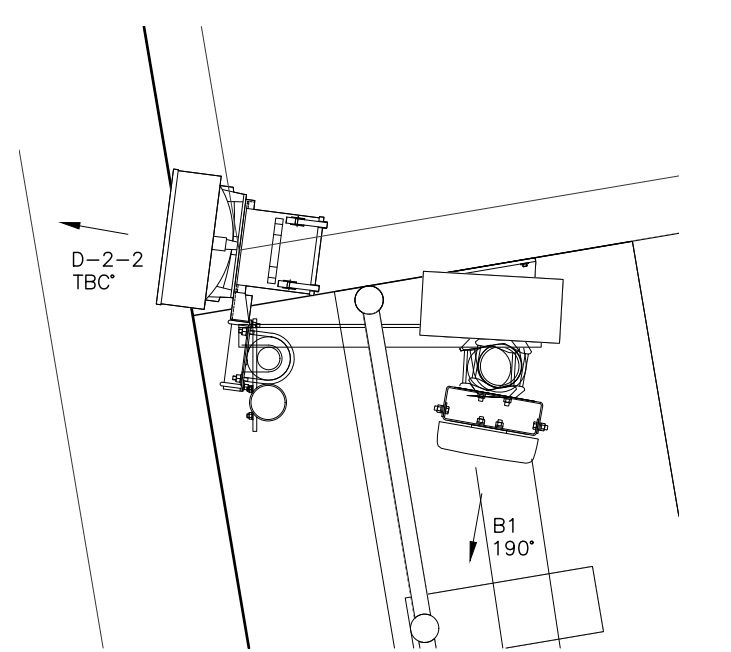
UKB CELL ID:
CAM0012

Scale:	As Shown	Drawn:	NTA	Date:	09.01.19	Issue:
Checked:	TM	Date:	09.01.19	Approved:	TM	Date:
						A1

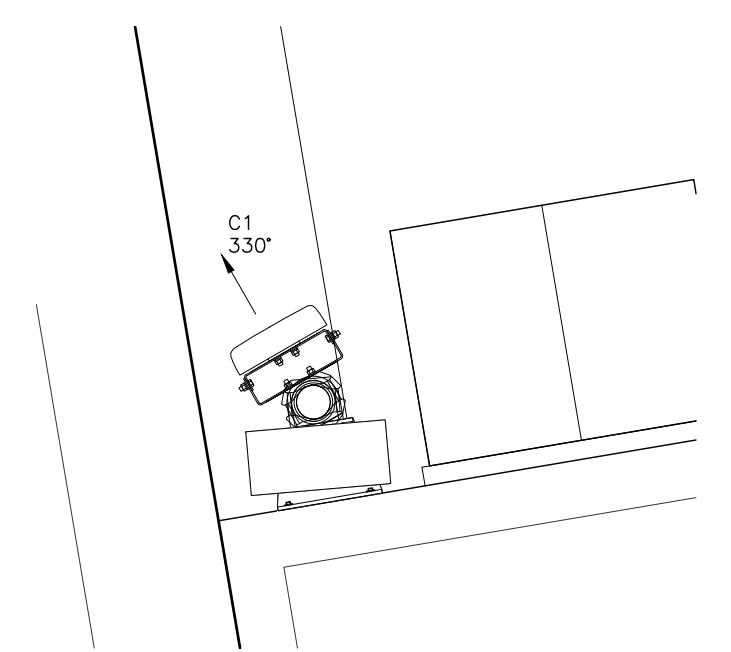
- 1 ALL DIMENSIONS ARE IN mm UNLESS NOTED OTHERWISE
- 2 DO NOT SCALE DRAWINGS
- 3 BOXED GREEN TEXT INDICATES PROPOSED WORKS



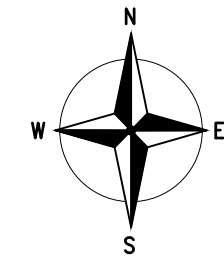
EXISTING ANTENNA PLAN – SECTOR 1
(SCALE 1:20)



EXISTING ANTENNA PLAN – SECTOR 2
(SCALE 1:20)



EXISTING ANTENNA PLAN – SECTOR 3
(SCALE 1:20)



ROOF LEVEL
28.2m AGL

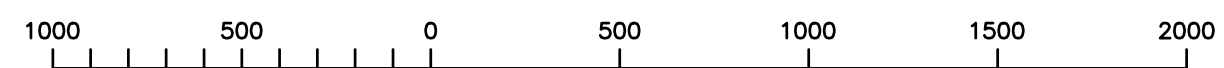
EXISTING UK BROADBAND HUAWEI BTS3900A
APM30H ver C CABINET ON CANTILEVERED
FRAME

EXISTING UK BROADBAND 150 WIDE
CABLE TRAY FIXED TO PLANT ROOM WALL

EXISTING UK BROADBAND 150 WIDE
CABLE TRAY LAID FLAT ON ROOF

ROOF LEVEL
31.3m AGL

EXISTING EQUIPMENT LAYOUT
(SCALE 1:20)



ORIGINAL SCALE AT A3 – 1:20 ALL DIMENSIONS IN MILLIMETRES

No.	Revision	By	Ckd	Date
A1	Preliminary Issue For Comment	NTA	TM	09.01.19



sitec
Infrastructure Services Ltd

7400 Cambridge Research Park
Beach Drive, Waterbeach
Cambridge
CB25 9TN

Tel: 01223 792150
Fax: 01223 862752
e: info@sitec-is.co.uk
w: www.sitec-is.co.uk

Site Name & Address:

THE DUTCH HOUSE
307 HIGH HOLBORN
HOLBORN
LONDON
WC1V 7LL

Drawing Title: EXISTING EQUIPMENT LAYOUT

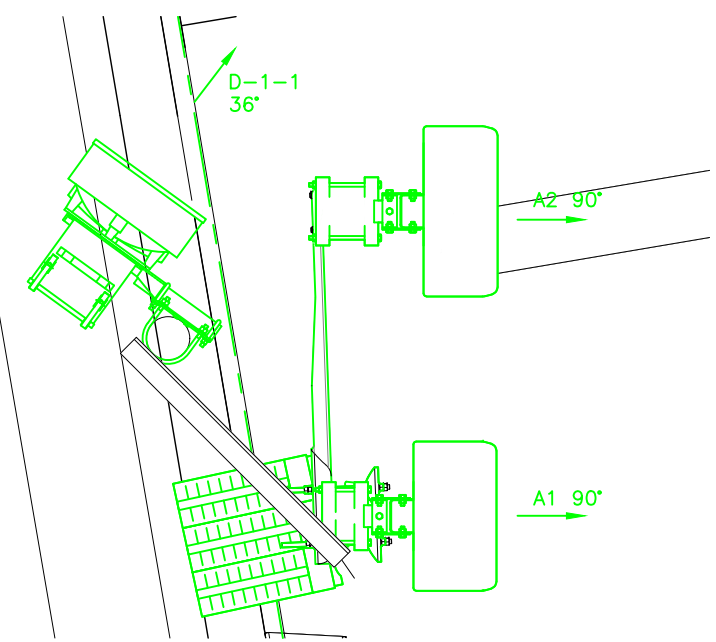
Purpose of Issue: PLANNING

Drawing No: CAM0012 06

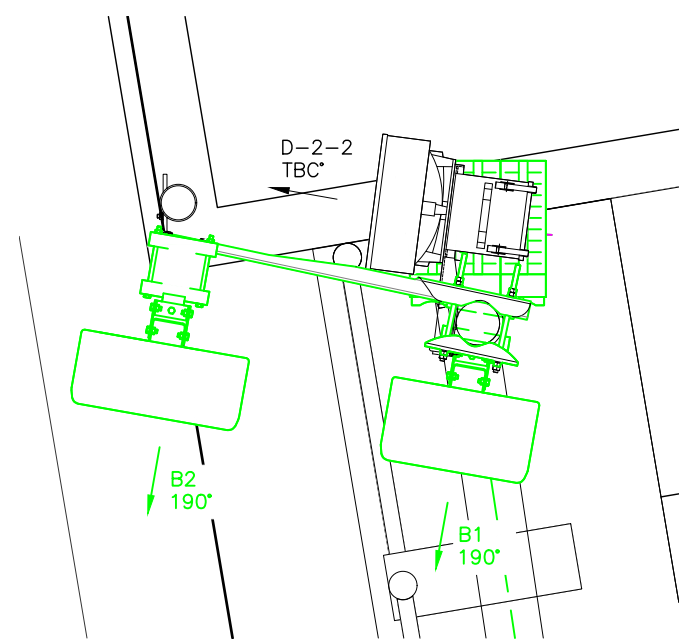
UKB CELL ID:
CAM0012

Scale: As Shown	Drawn: NTA	Date: 09.01.19	Issue:
Checked: TM	Date: 09.01.19	Approved: TM	Date: 09.01.19

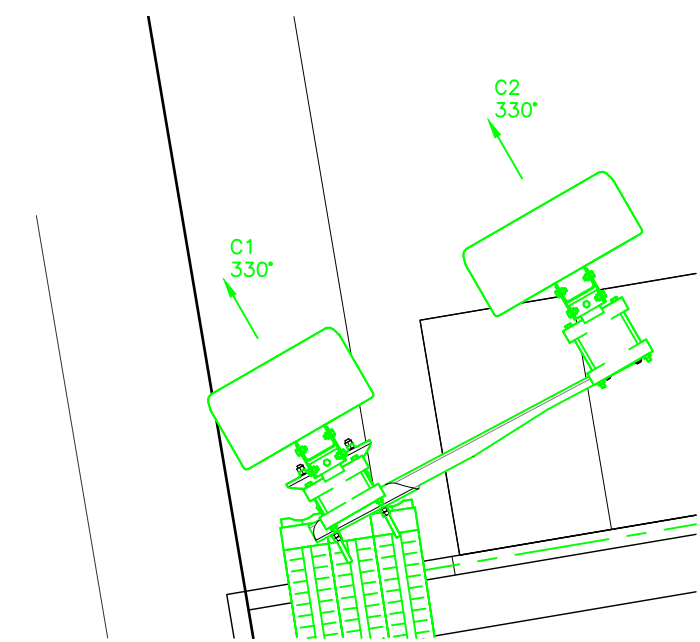
- 1 ALL DIMENSIONS ARE IN mm UNLESS NOTED OTHERWISE
- 2 DO NOT SCALE DRAWINGS
- 3 BOXED GREEN TEXT INDICATES PROPOSED WORKS



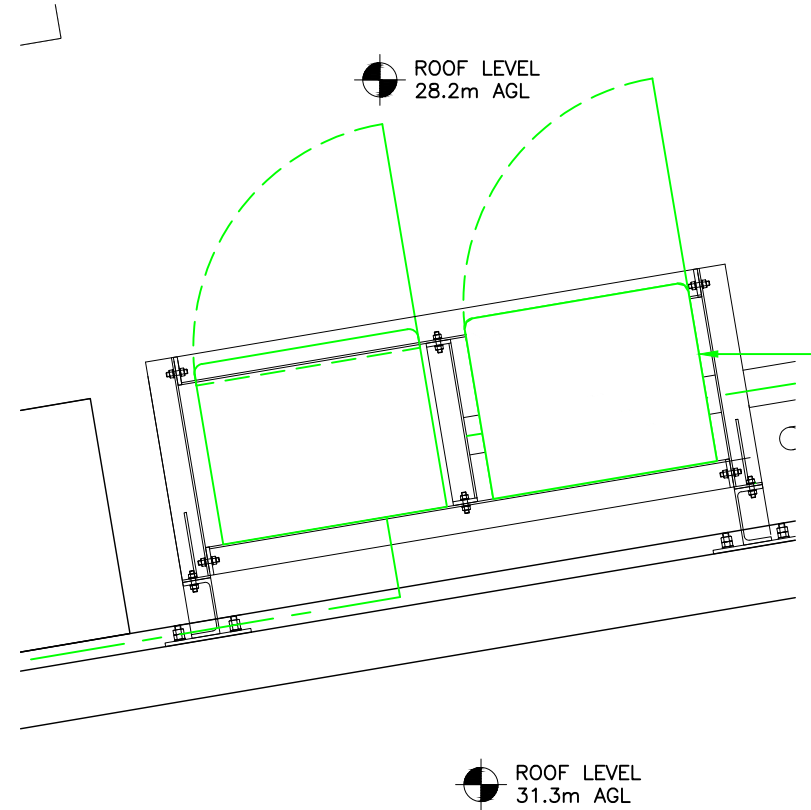
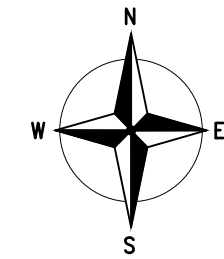
PROPOSED ANTENNA PLAN – SECTOR 1
(SCALE 1:20)



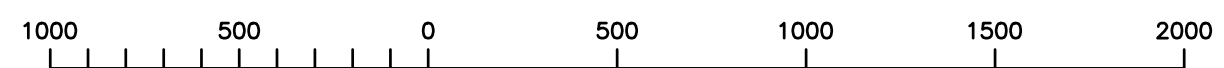
PROPOSED ANTENNA PLAN – SECTOR 2
(SCALE 1:20)



PROPOSED ANTENNA PLAN – SECTOR 3
(SCALE 1:20)



PROPOSED EQUIPMENT LAYOUT
(SCALE 1:20)



ORIGINAL SCALE AT A3 – 1:20 ALL DIMENSIONS IN MILLIMETRES

No.	Revision	By	Ckd	Date
A1	Preliminary Issue For Comment	NTA	TM	09.01.19




 7400 Cambridge Research Park
 Beach Drive, Waterbeach
 Cambridge
 CB25 9TN
 Tel: 01223 792150
 Fax: 01223 862752
 e: info@sitec-is.co.uk
 w: www.sitec-is.co.uk

Site Name & Address:
 THE DUTCH HOUSE
 307 HIGH HOLBORN
 HOLBORN
 LONDON
 WC1V 7LL

Drawing Title: PROPOSED EQUIPMENT LAYOUT

Purpose of Issue: PLANNING

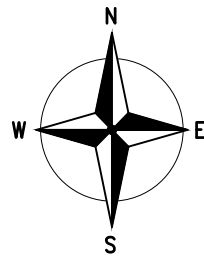
Drawing No: CAM0012 07

UKB CELL ID: CAM0012

Scale: As Shown	Drawn: NTA	Date: 09.01.19	Issue:
Checked: TM	Date: 09.01.19	Approved: TM	Date: 09.01.19

A1

100mm
75mm
50mm
25mm
10mm



- 1 ALL DIMENSIONS ARE IN mm UNLESS NOTED OTHERWISE
- 2 DO NOT SCALE DRAWINGS
- 3 BOXED GREEN TEXT INDICATES PROPOSED WORKS

NOTES:

No.	Revision	By	Ckd	Date
A1	Preliminary Issue For Comment	NTA	TM	09.01.19



sitec
 Infrastructure Services Ltd

7400 Cambridge Research Park
 Beach Drive, Waterbeach
 Cambridge
 CB25 9TN
 Tel: 01223 792150
 Fax: 01223 862752
 e: info@sitec-is.co.uk
 w: www.sitec-is.co.uk

Site Name & Address:

THE DUTCH HOUSE
 307 HIGH HOLBORN
 HOLBORN
 LONDON
 WC1V 7LL

Drawing Title: LEASE DEMISE

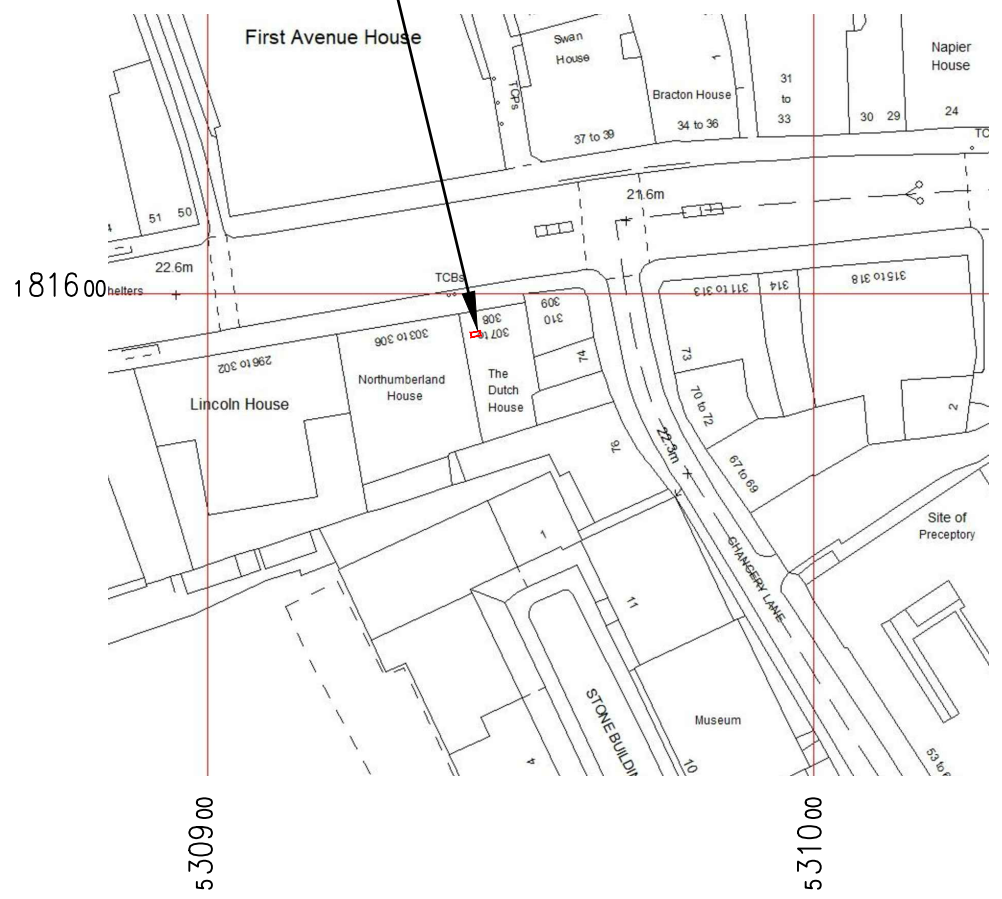
Purpose of Issue: PLANNING

Drawing No: CAM0012 08

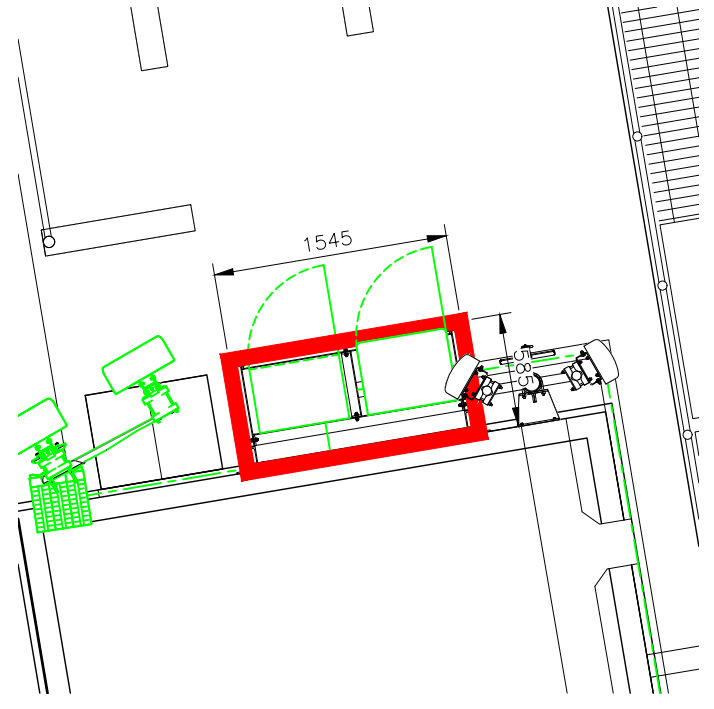
UKB CELL ID: CAM0012

Scale: As Shown	Drawn: NTA	Date: 09.01.19	Issue:
Checked: TM	Date: 09.01.19	Approved: TM	Date: 09.01.19

SITE LOCATION



LEASE DEMISE
(1:1250)



LEASE DEMISE
(1:50)

LEASE DEMISE
(AS SHOWN)



These drawings comply with **Standard ICNIRP** guidelines.
 Designed in accordance with UK Broadband document: UKB_5GD_DEL_DES_MISC_001

A3