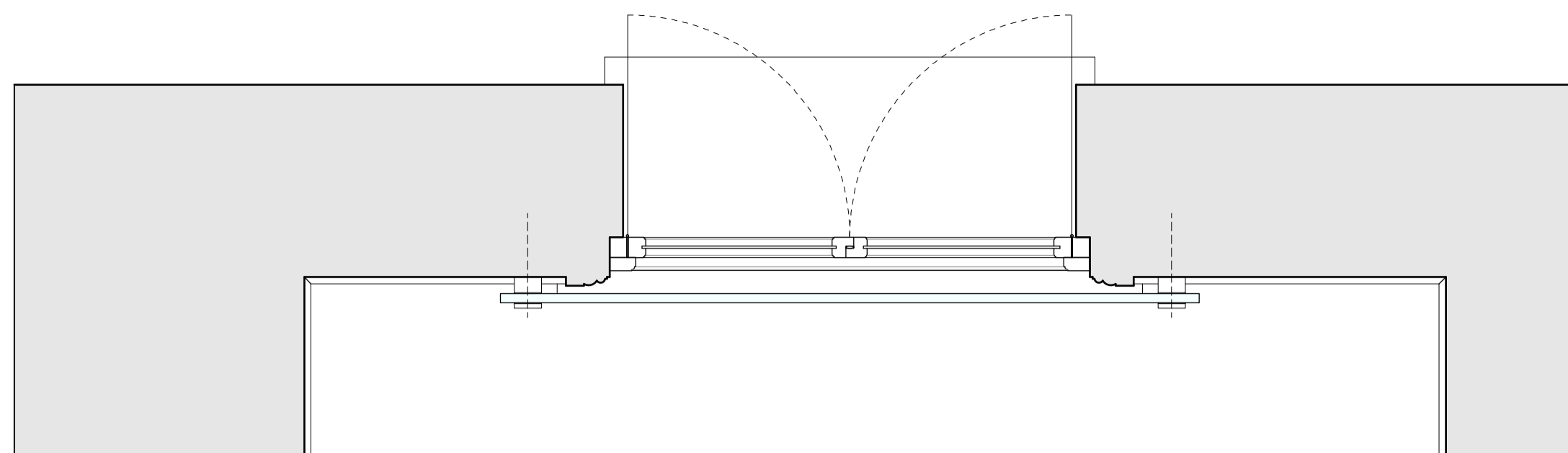


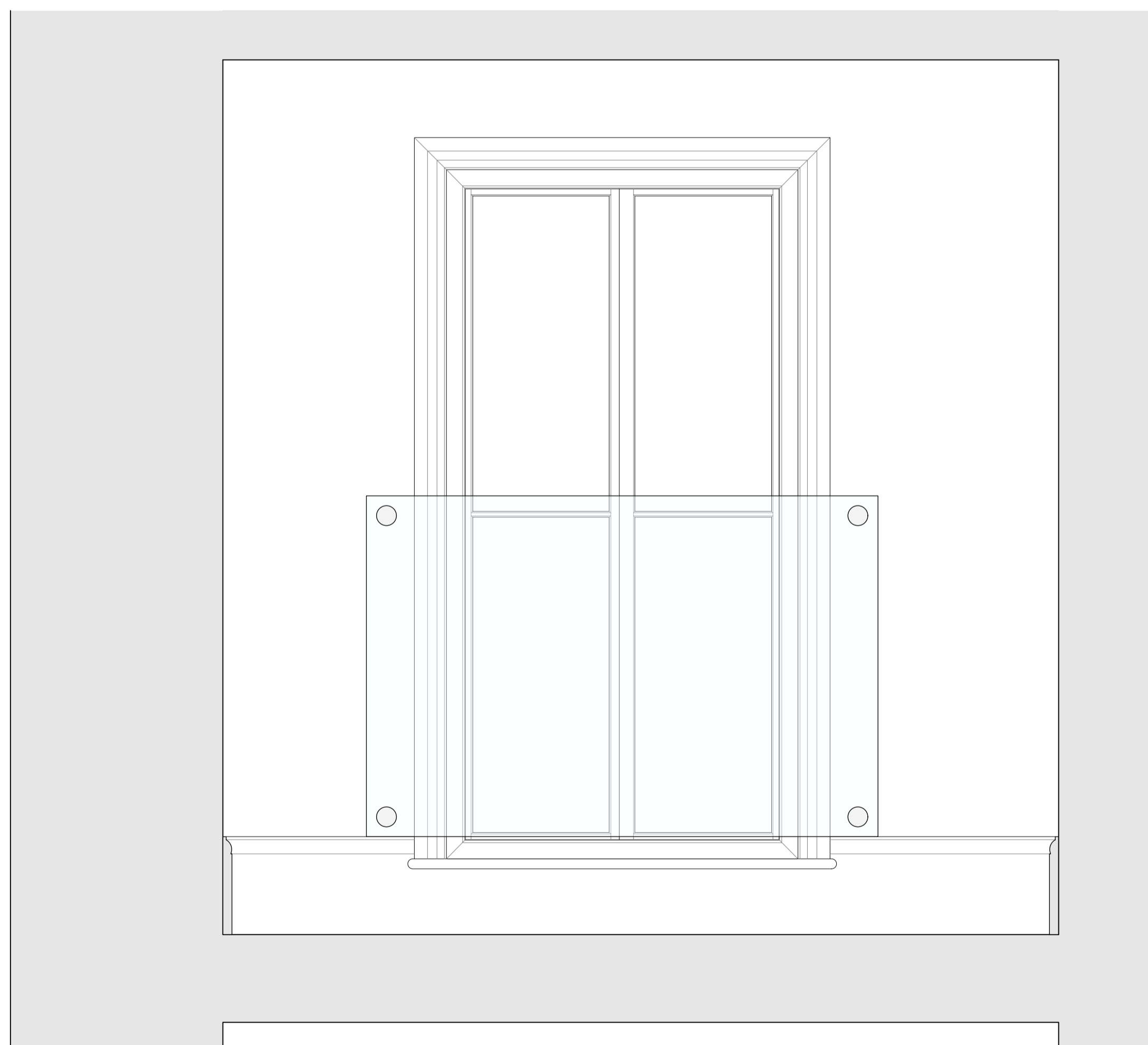
DO NOT SCALE: Use figured dimensions only. All dimensions are to be checked on site. Any queries or discrepancies must be reported immediately to the architect.

This drawing is to be read in conjunction with drawings and specifications prepared by the architects and any other information prepared by others for the stated project.

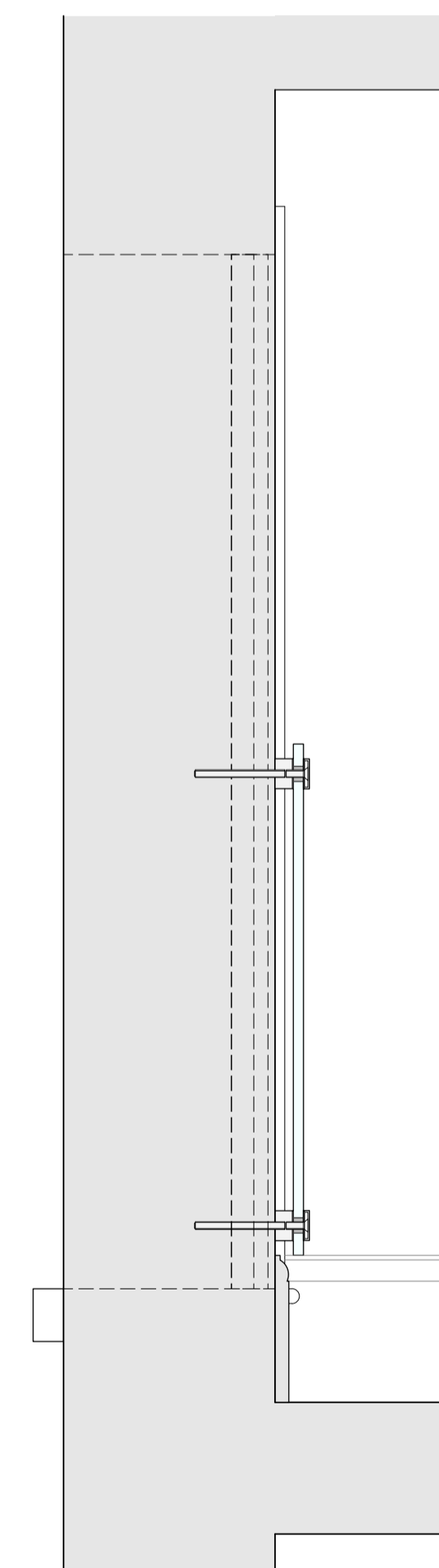
All illustrated material is subject to copyright unless otherwise agreed in writing. This document must be read for the express purpose and project for which it has been created and delivered and must be read with relevant specification clauses.



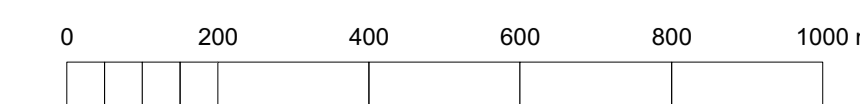
6 [Drawing Title]
Scale: 1:10



5 [Drawing Title]
Scale: 1:10



7 [Drawing Title]
Scale: 1:10



FOR INFORMATION

Rev	Date	Drawn	Description
1	TBI	LM	Issued for Information
1	TBI	UR	Issued for Information

STANESBY
ARCHITECTURE
info@stanesbyarchitecture.co.uk
www.stanesbyarchitecture.co.uk
t: 0208 004 5910

Project title
1 Taviton Street

Drawing title
Proposed Window Details

Date	Feb 2019	Drawn by	UR	Checked	AC
Scale	1:5 @ A1 1:10 @ A3	Rev.	1		
Drawing number:	1803-E-5-010				