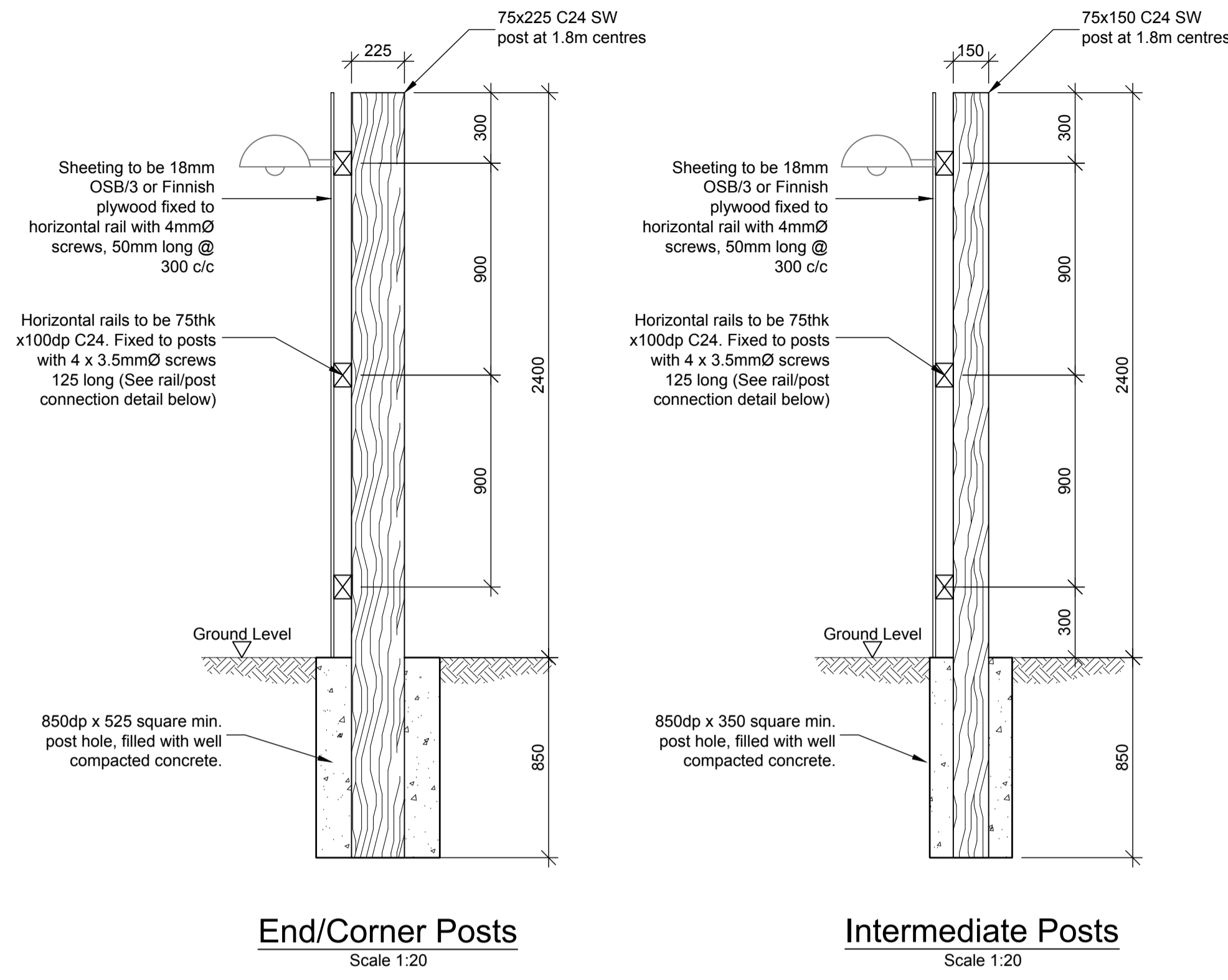


End/Corner Posts
Scale 1:20

Intermediate Posts
Scale 1:20

POOR GROUND CONDITIONS

TYPE 1

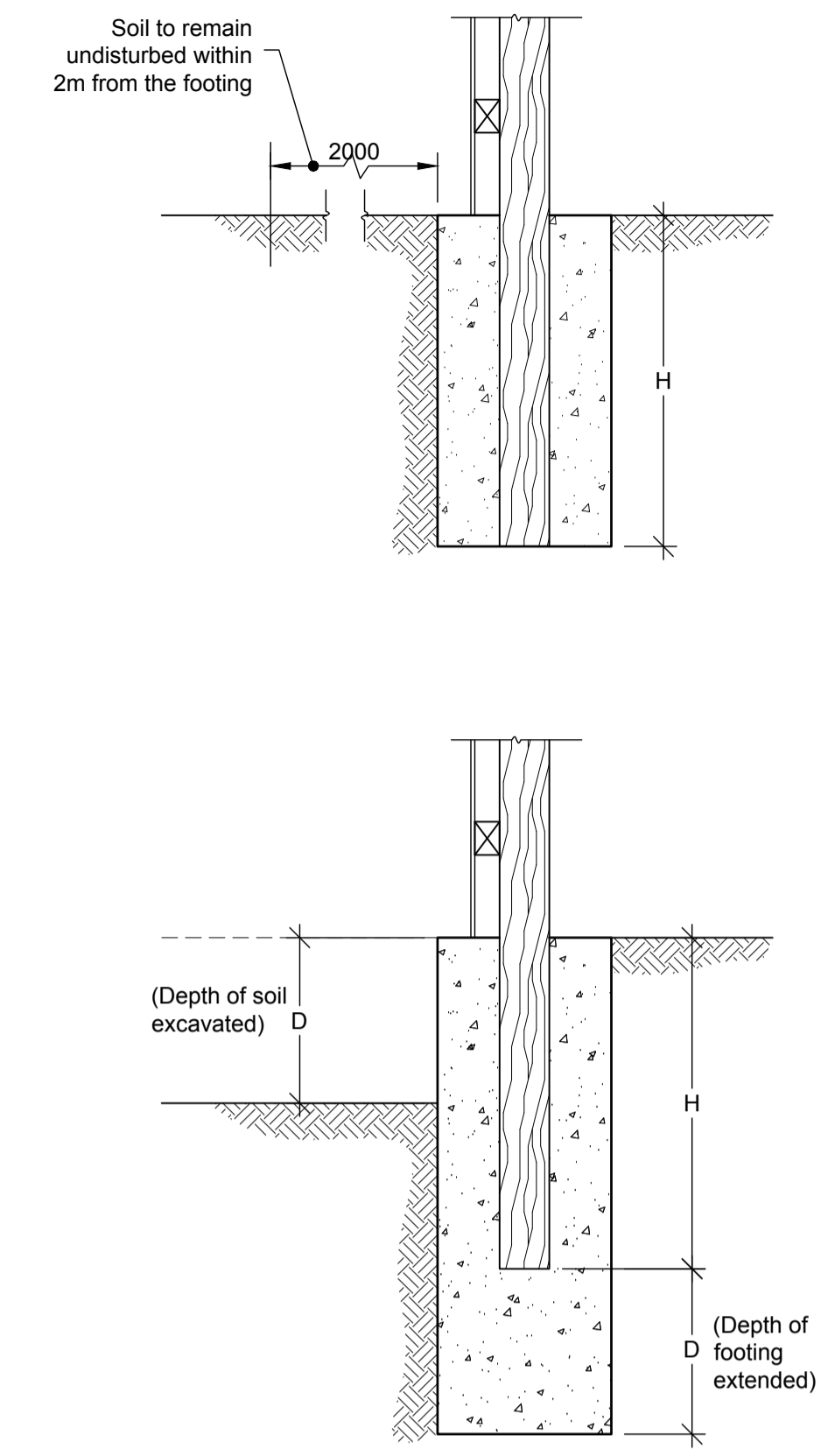


End/Corner Posts
Scale 1:20

Intermediate Posts
Scale 1:20

AVERAGE GROUND CONDITIONS

TYPE 1



Detail in Case the Ground Level is Lowered within 2m from the Footing

NOTES:

SITE SPECIFIC ISSUES
Workmanship

The quality of workmanship should be to recognised works standards. Operatives assembling and erecting hoardings should be competent and be aware of correct good practice.

Some examples to be considered include:

- where using timber posts in holes with concrete, remembering to place the post first, and then place the concrete surround,
- ensure the orientation of the facing material is as intended,
- fixings are used as designed,
- more fixings and usually closer post centres near to the ends of hoardings where the wind loads are larger.
- diagonal stays, there is always the risk that the stays might be removed by operators, for example to give clearance for a machinery/rig etc. Particular care is required to ensure that such stays are not displaced or removed, making routine observations/inspections important(see below).

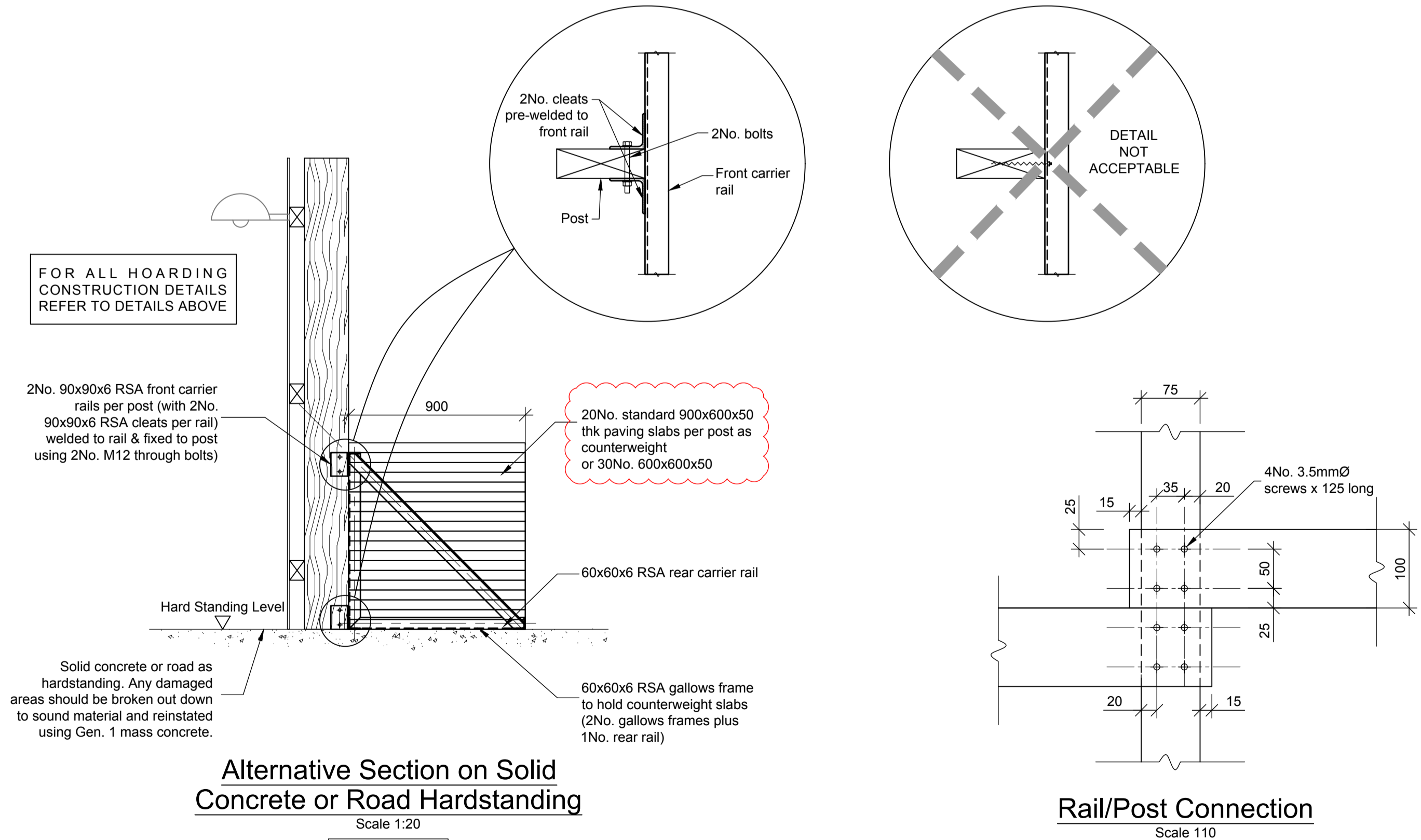
Inspection in use

All hoardings should have regular weekly inspections by Barratt at an early stage in the use of the hoarding, increased to bi-weekly inspections at latter project stages. It is important that other routine observations/inspections are also carried out. All inspections should be carried out by competent person(s) who have the ability to inspect the critical areas of the structure. Additional inspections should be carried out after any exceptional event such as high winds or impact.

The Design Engineers (L+C) will inspect the hoarding once the erection is complete, and confirm if requirement for regular inspection and timings of such inspections are to be varied from ones specified herein.

The maximum period between formal inspections by the Design Engineer (L+C) of hoardings should be six months, and these visits are to be instructed by Barratt at six months intervals. Barratt is to note that if applications /or construction processes change which would affect hoardings, the inspections may require to be more frequent.

NOTE: Additional lightweight lights + shrouds to be fixed directly to the top timber rail (Max. 10kg. per light and max. 2No. per rail)



Alternative Section on Solid Concrete or Road Hardstanding
Scale 1:20

Rail/Post Connection
Scale 1:10

TYPE 2

P2	15.07.16	Revised as clouded.	MLA
P1	14.07.16	Issued for comments.	MLA
Rev.	Date	Description	Issuer

PRELIMINARY

L+C consulting structural engineers
Lucking & Clark LLP
31 Cowcross Street
London, EC1M 6DQ
Tel: 020 7336 8986
info@LCengineers.co.uk
www.LCengineers.co.uk

Client: **UKD GROUNDWORKS**

Project: **Camden Street**

Title: **Site Hoarding Details Type 1 & 2**

Drawn By	Date	Scale	Sheet Size
MLA	12.07.16	As shown	A1
Checked By	Proj. No.	Doc. Type	Drw. No.
LG	16816	D	001
			Rev.
			P2

© Lucking & Clark LLP
Check all dimensions and verify on site
Report any discrepancies or omissions