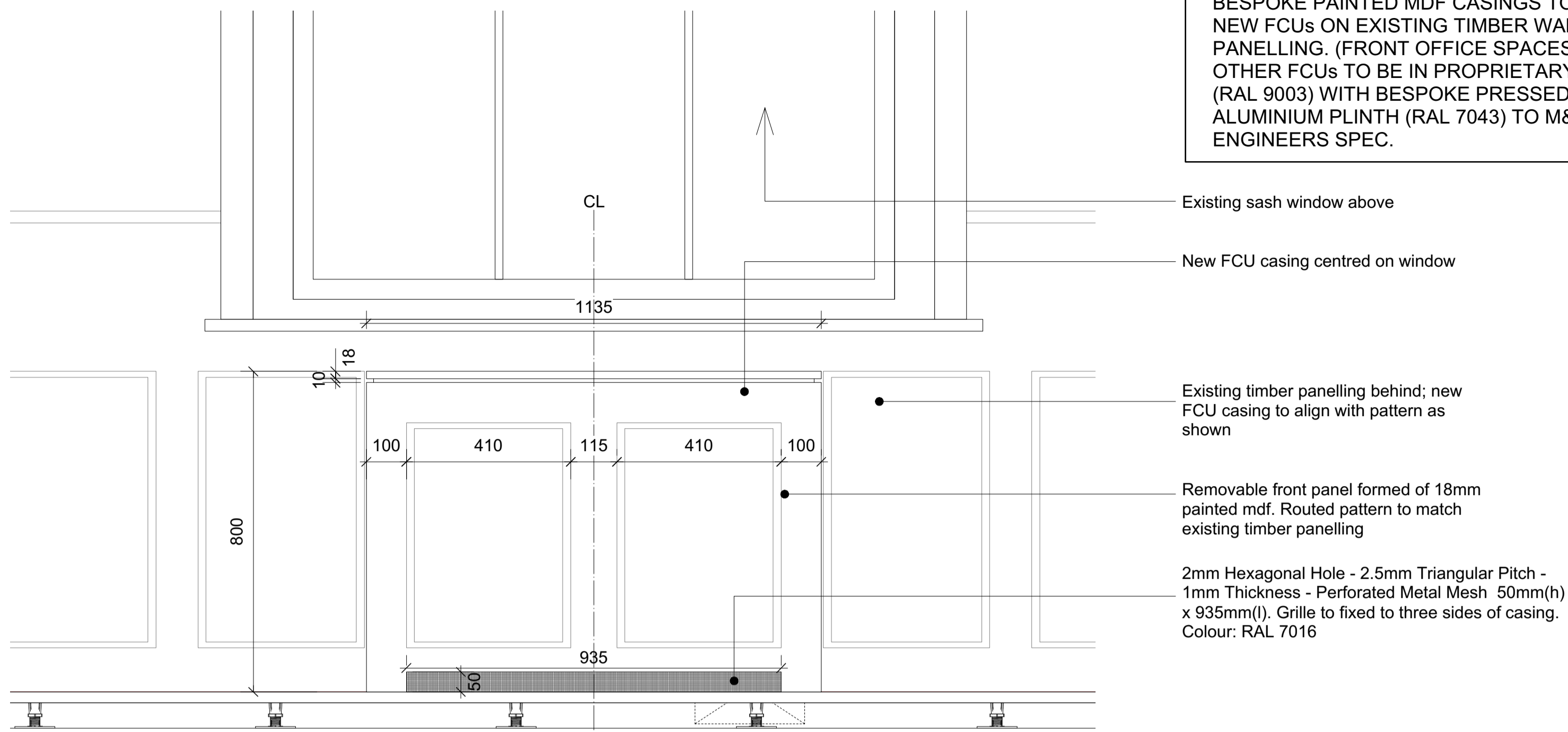
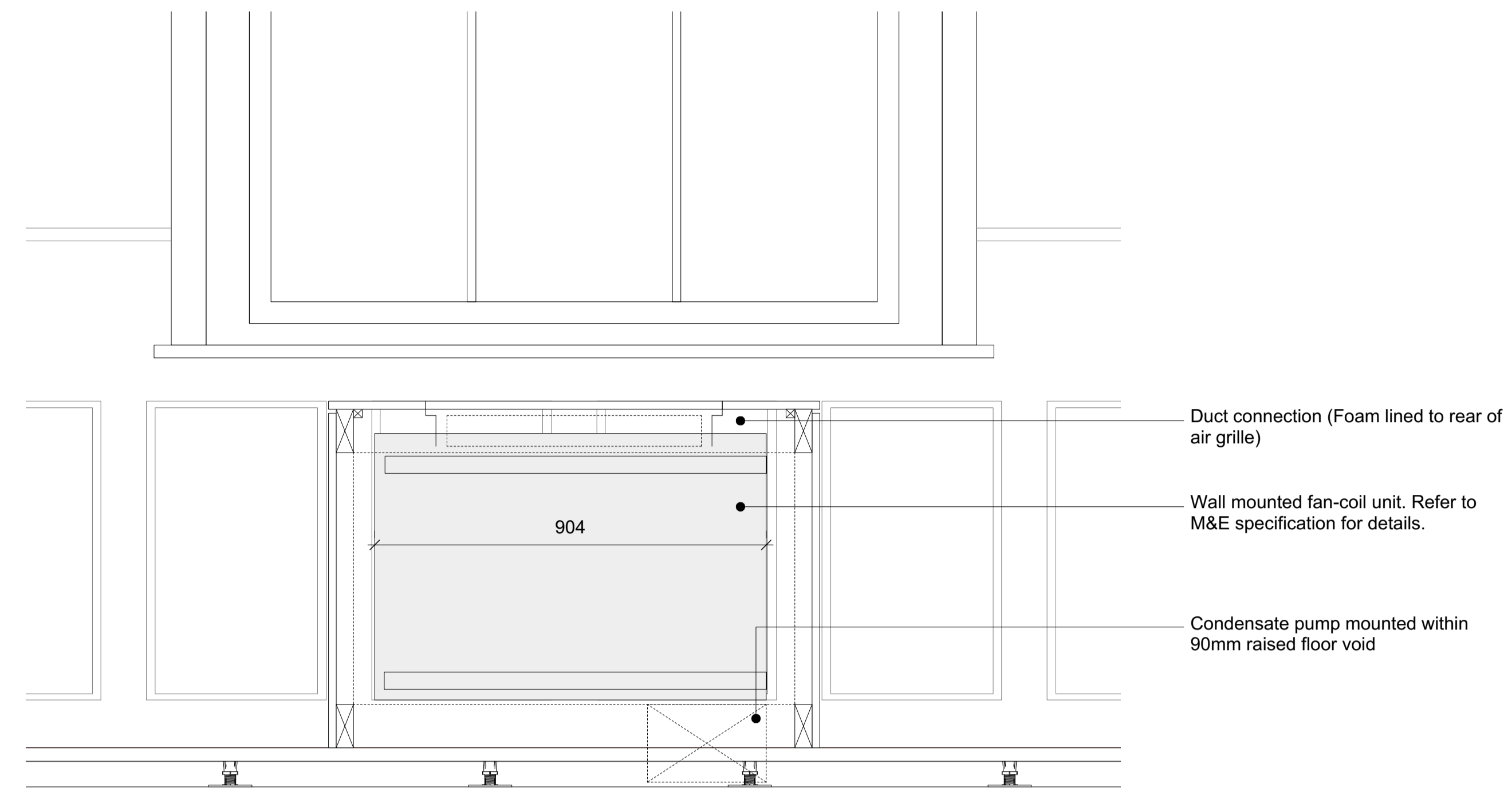


PLANNING

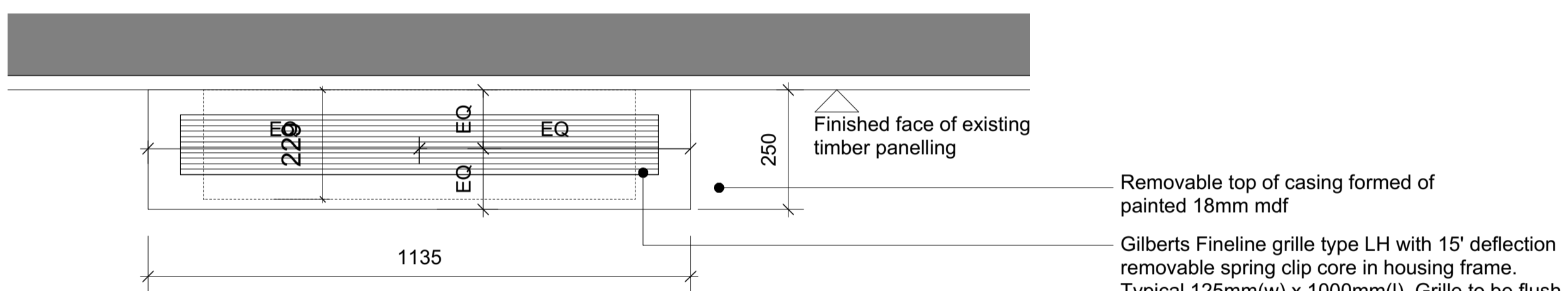
BESPOKE PAINTED MDF CASINGS TO ALL NEW FCUs ON EXISTING TIMBER WALL PANELLING. (FRONT OFFICE SPACES) ALL OTHER FCUs TO BE IN PROPRIETARY CASING (RAL 9003) WITH BESPOKE PRESSED ALUMINIUM PLINTH (RAL 7043) TO M&E ENGINEERS SPEC.



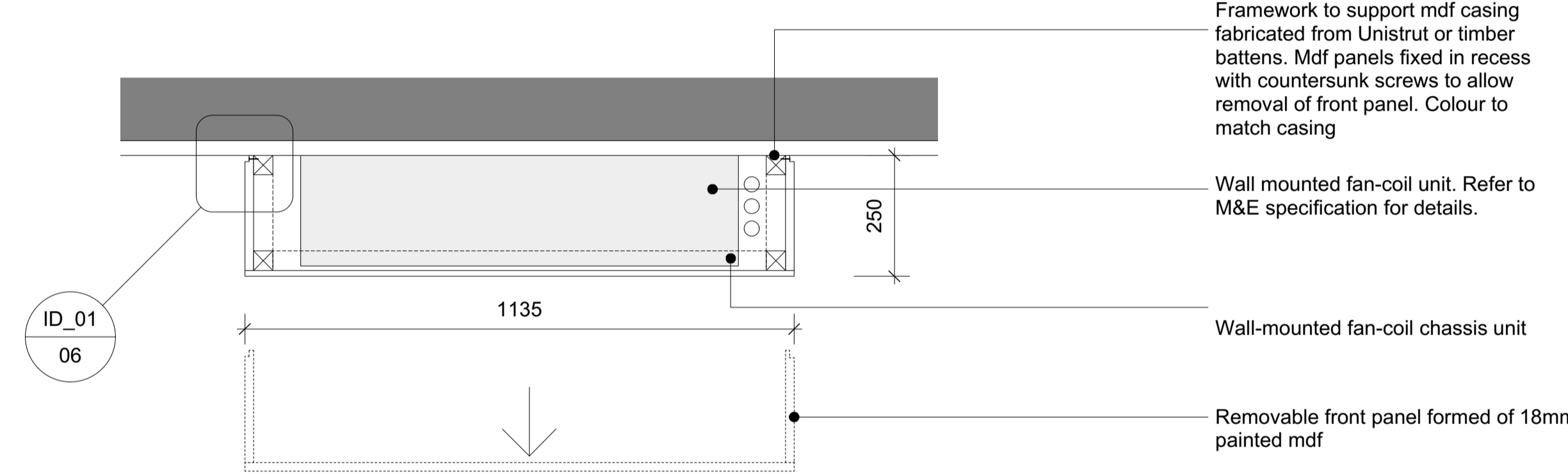
1 Proposed FCU Casing Front Elevation
Scale 1:10 @ A1 / 1:20 @ A3



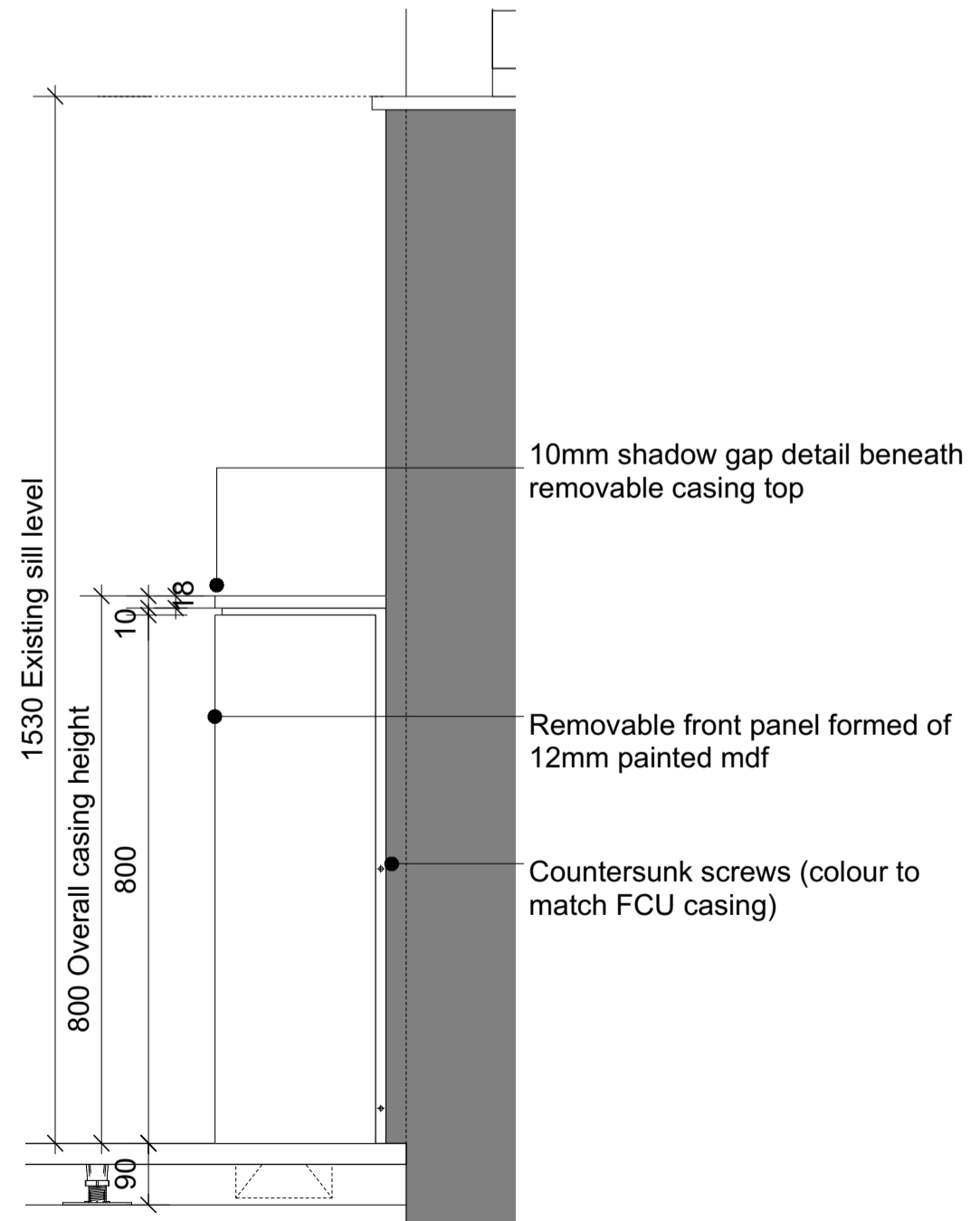
4 Proposed FCU Casing Front Section
Scale 1:10 @ A1 / 1:20 @ A3



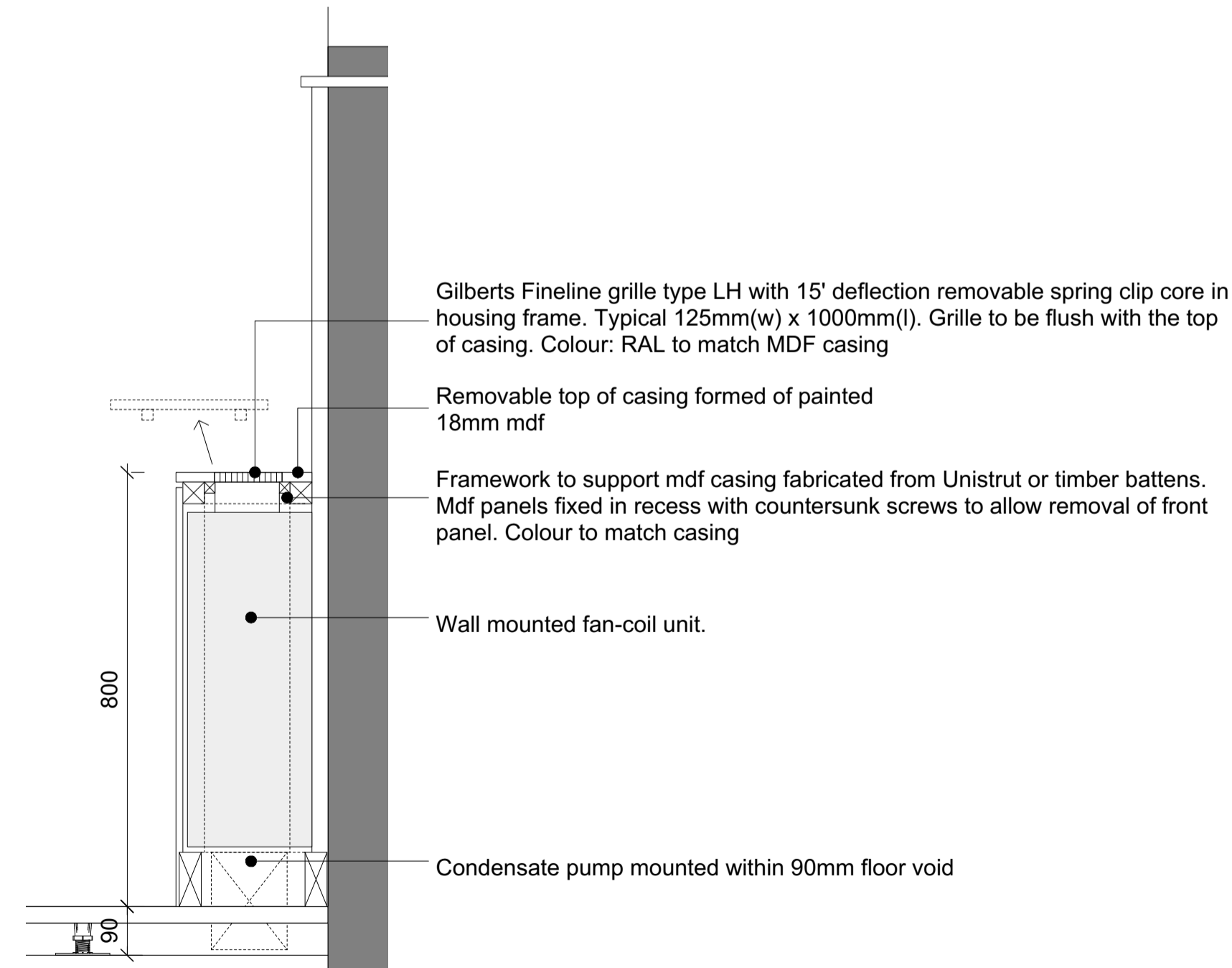
2 Proposed FCU Casing Plan
Scale 1:10 @ A1 / 1:20 @ A3



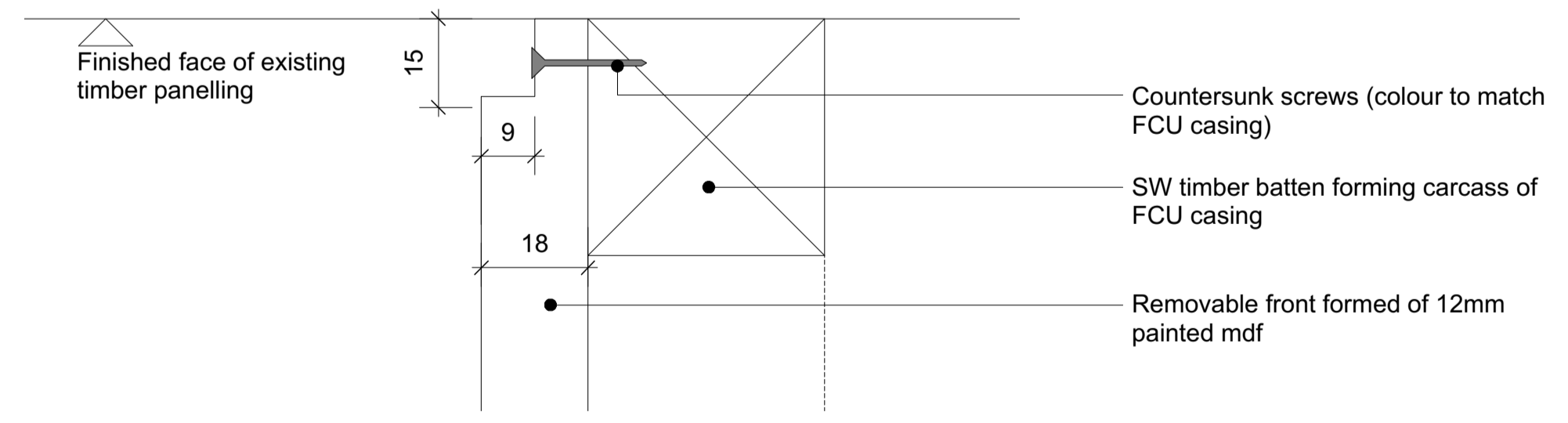
5 Proposed FCU Casing Top Section
Scale 1:10 @ A1 / 1:20 @ A3



3 Proposed FCU Side Elevation
Scale 1:5 @ A1 / 1:10 @ A3



3 Proposed FCU Side Section
Scale 1:5 @ A1 / 1:10 @ A3



6 Proposed FCU Casing Connection Detail
Scale 1:1 @ A1 / 1:2 @ A3

NOTES:-
- All dimensions to be checked on site prior to commencement of any works, and/or preparation of any shop drawings.
- Sizes of and dimensions to any structural or services elements are indicative only. See structural and service engineers drawings for actual sizes / dimensions.
- This drawing to be read in conjunction with all other Architect's drawings, specifications and other Consultants' information.
- All proprietary systems shown on this drawing are to be installed strictly in accordance with the Manufacturers/Suppliers recommended details.
- Any discrepancies between information shown on this drawing and any other contract information or manufacturers/suppliers recommendations is to be brought to the attention of the Architect.

Revision	Date	Amendment
PL1	18/02/19	Issued for planning
-	-	-
-	-	-
-	-	-
-	-	-
-	-	-

Date	Project	Job Ref.	
February 2019	183-203 Eversholt St	322 EVF	
Scale	Drawn	Check	Title
1:10 @A1	CN	DP	Proposed FCU Casing Details
Status	Client Ref	Drwg. no.	Rev.
Planning	-	322(PL)01	PL1

Architect
Hale Brown Architects Ltd. Unit 2.01 Chester House, Kennington Park, 1-3 Brixton Rd, London SW9 6DE T: 020 8977 6946 E: mail@halebrown.com W: www.halebrown.com

halebrown
architects