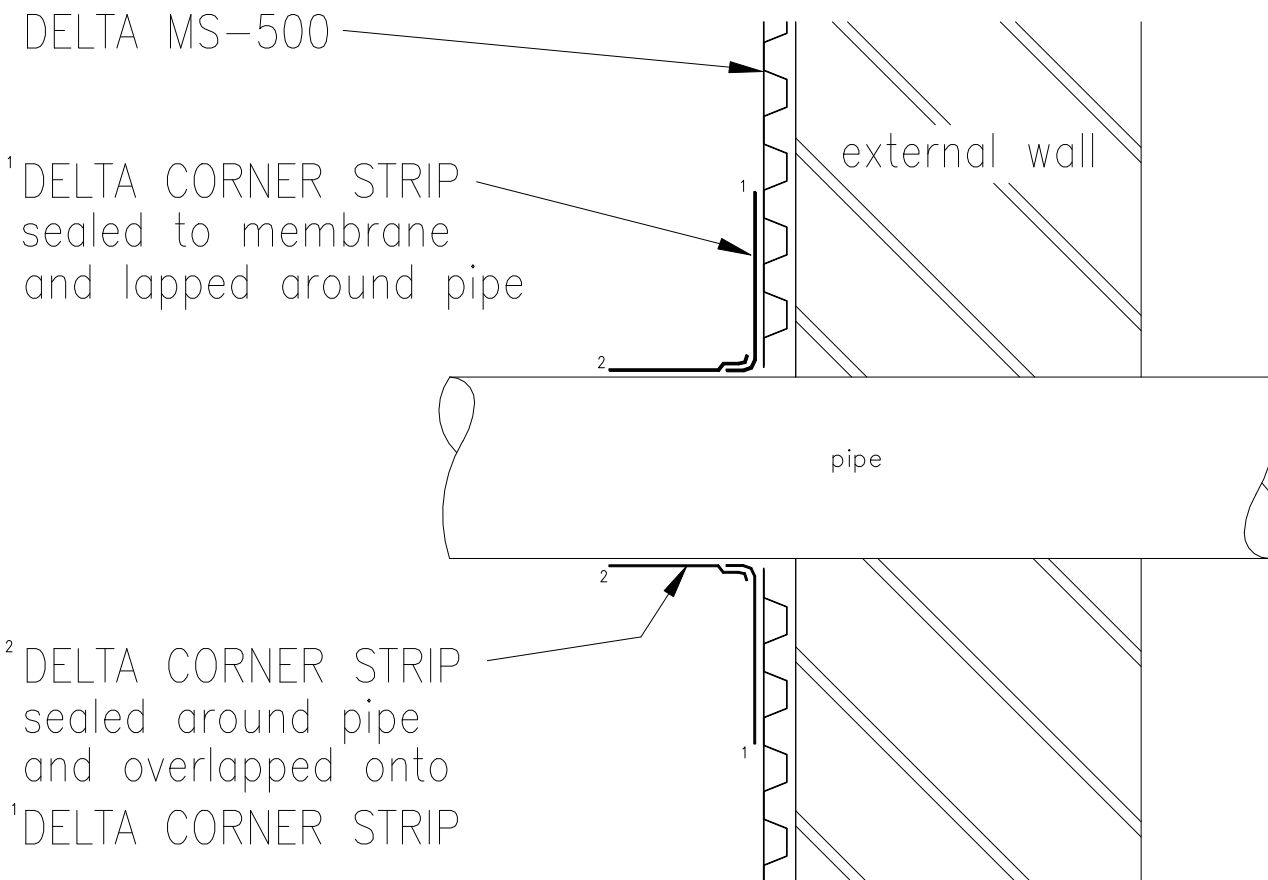


DO NOT SCALE



¹ DELTA CORNER STRIP
sealed to membrane
and lapped around pipe

² DELTA CORNER STRIP
sealed around pipe
and overlapped onto
¹ DELTA CORNER STRIP

PIPE PENETRATION THROUGH WALL

157

DELTA MEMBRANE SYSTEMS LTD

DELTA House
Merlin Way
North Weald
Epping
Essex CM16 6HR
Tel: 01992 523523 Fax: 01992 523250

Title
PIPE PENETRATION THROUGH WALL

Drawing No. 157 Rev

Drawn