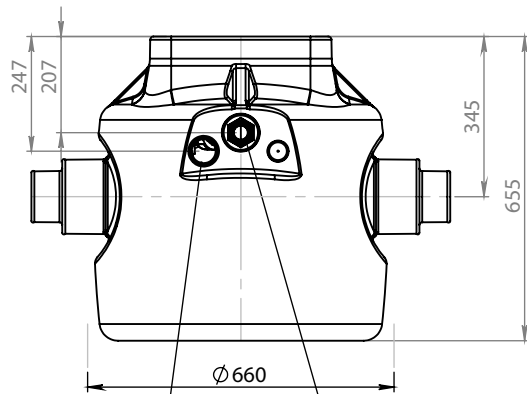
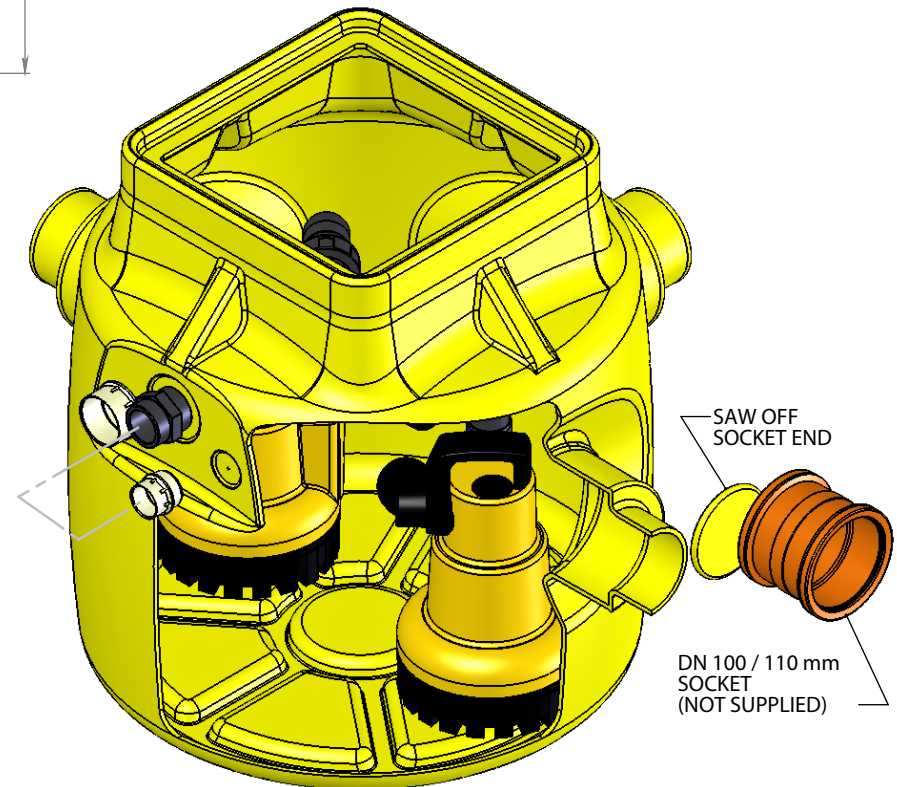


Pump Type	V3P
P1	0.43kW
P2	0.18kW
FLC	1.9A



CABLE DUCT  
2" / 50 mm FEMALE  
TO ACCEPT STD.  
DRAINAGE PIPE

DISCHARGE  
1 1/4" BSP / 32 mm MALE  
IRON SUPPLIED LOOSE



**Delta Code**  
**DMS 164**

**Specification Code**  
**2-660-655-V3P-HLA**

**Product Description**  
**Delta Dual V3 Sump - 2 x V3 pumps**

