

frame jamb or subframe fixed to timber wall framing

flexifoam or mastic seal to joint between frame/subframe and edge of brick facing to reveal

front of cill or subcill section

Eurobrick corner pistol slips to external window reveal fixed on 10mm Viroc

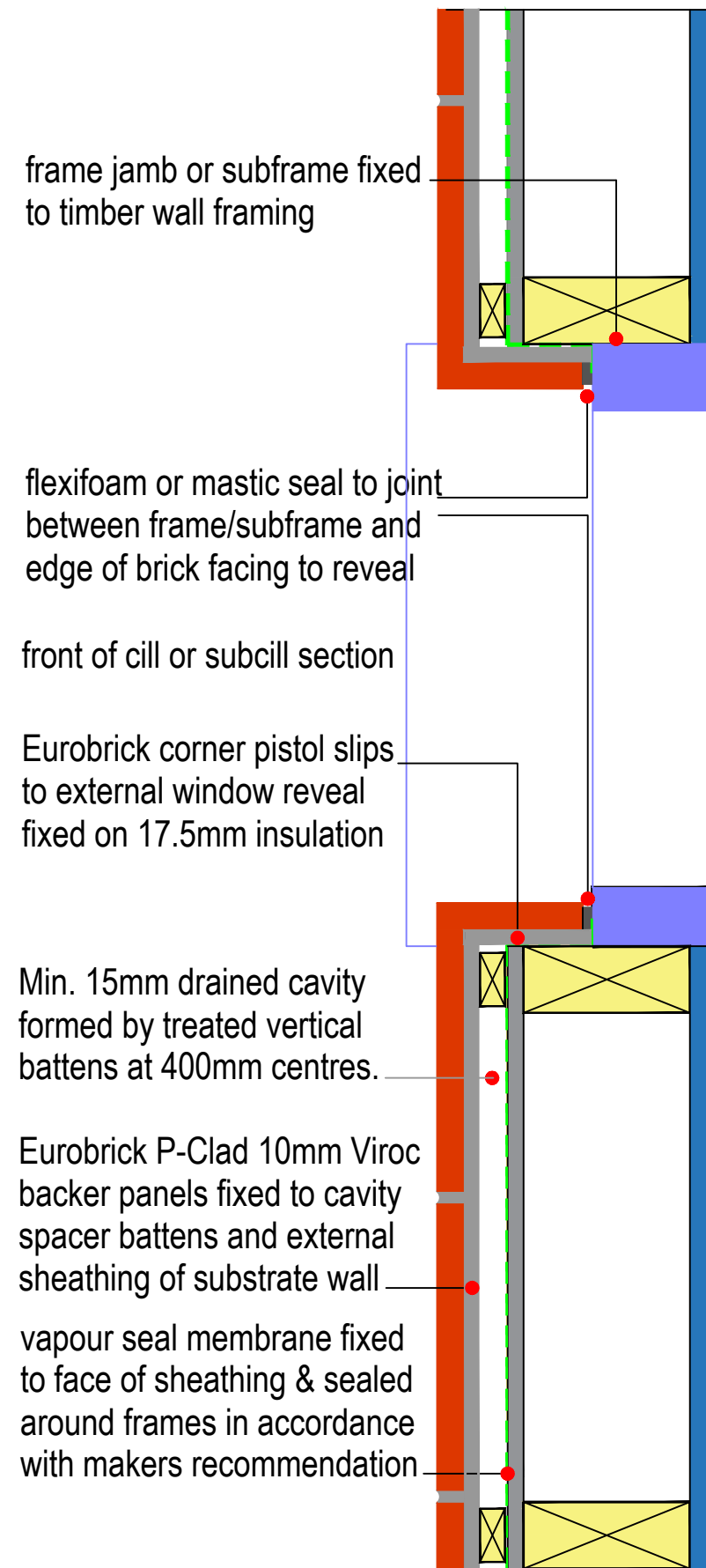
Eurobrick P-Clad 10mm Viroc backer panel fixed direct to sheathing to timber frame

vapour seal membrane fixed to face of sheathing & sealed around frames in accordance with makers recommendation

Thickness & width of subframe is determined by width of wall construction, thickness of insulation used, window frame detail and reveal setback required.

wall construction as required (shown as 125mm stud & 15mm drywall)

JAMB RETURN DETAIL NO CAVITY - FRAMED WALL SUBSTRATE



frame jamb or subframe fixed to timber wall framing

flexifoam or mastic seal to joint between frame/subframe and edge of brick facing to reveal

front of cill or subcill section

Eurobrick corner pistol slips to external window reveal fixed on 17.5mm insulation

Min. 15mm drained cavity formed by treated vertical battens at 400mm centres.

Eurobrick P-Clad 10mm Viroc backer panels fixed to cavity spacer battens and external sheathing of substrate wall

vapour seal membrane fixed to face of sheathing & sealed around frames in accordance with makers recommendation

Thickness & width of subframe is determined by width of wall construction, thickness of insulation used, window frame detail and reveal setback required.

wall construction as required (shown as 125mm stud & 15mm drywall)

JAMB RETURN DETAIL WITH CAVITY - FRAMED WALL SUBSTRATE