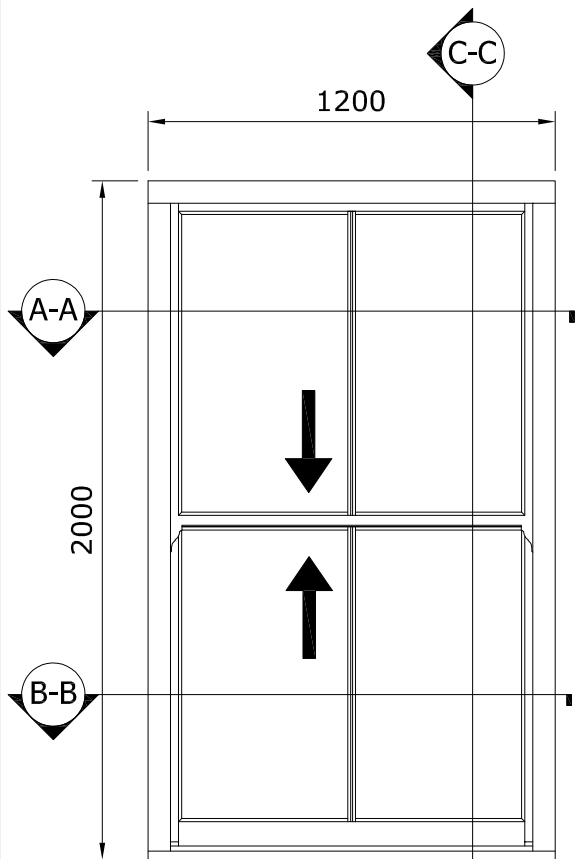


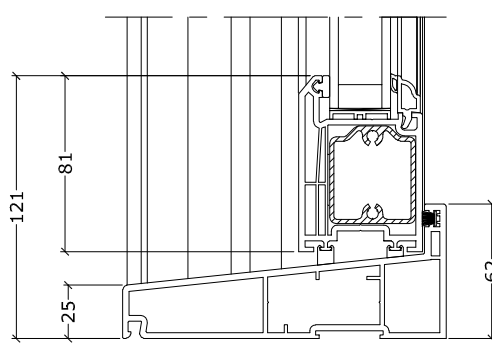
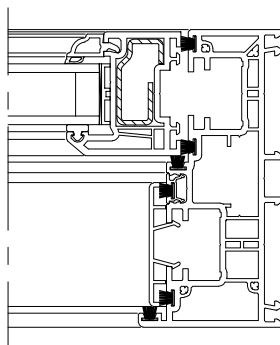
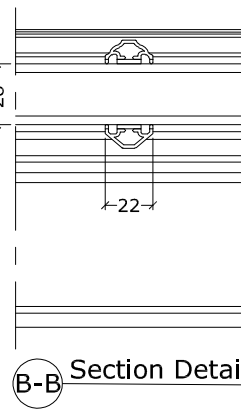
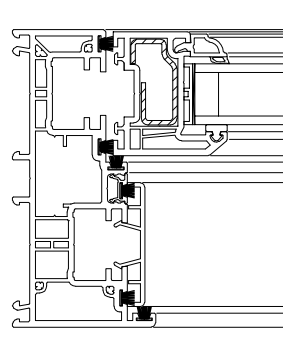
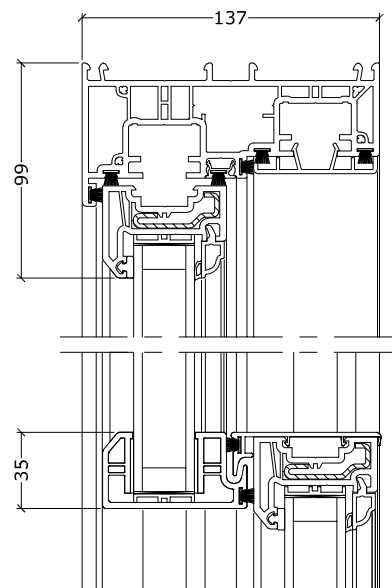
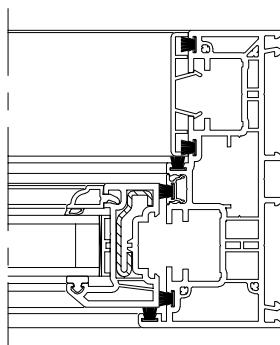
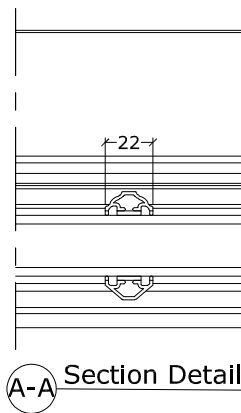
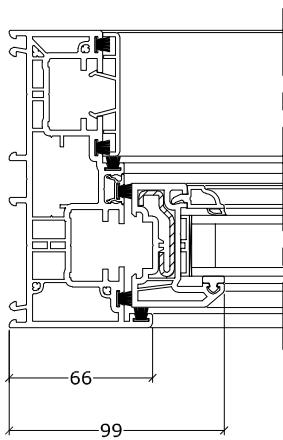
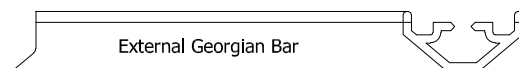
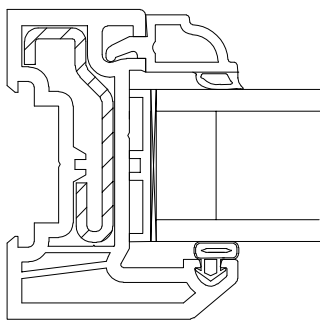
Technical Drawings



Elevation

'U' Value	Energy Rating	Acoustic Reference
1.49 w/m ² k	A	-34 dB

All values are based on standard specifications, and can be altered through use of options.



A-A Section Detail

B-B Section Detail

C-C Section Detail



35 Stilebrook Road
 Olney, Bucks. MK46 5EA
 phone: 01234 712657
 web: www.roseview.co.uk