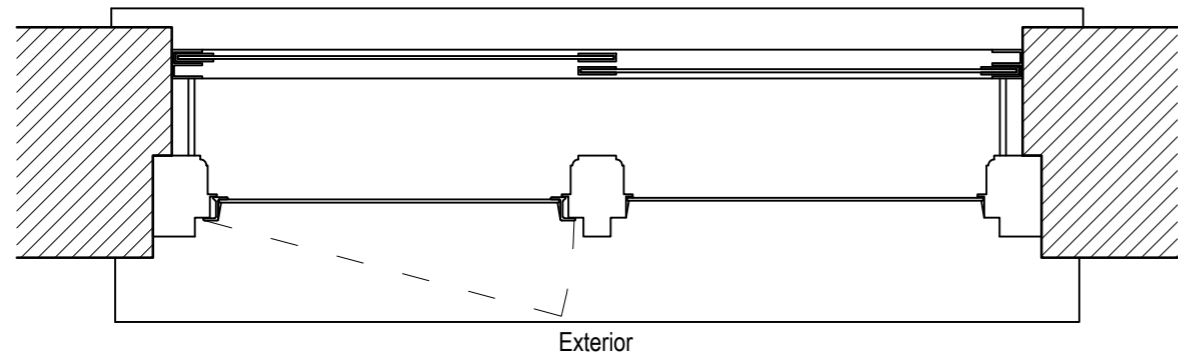
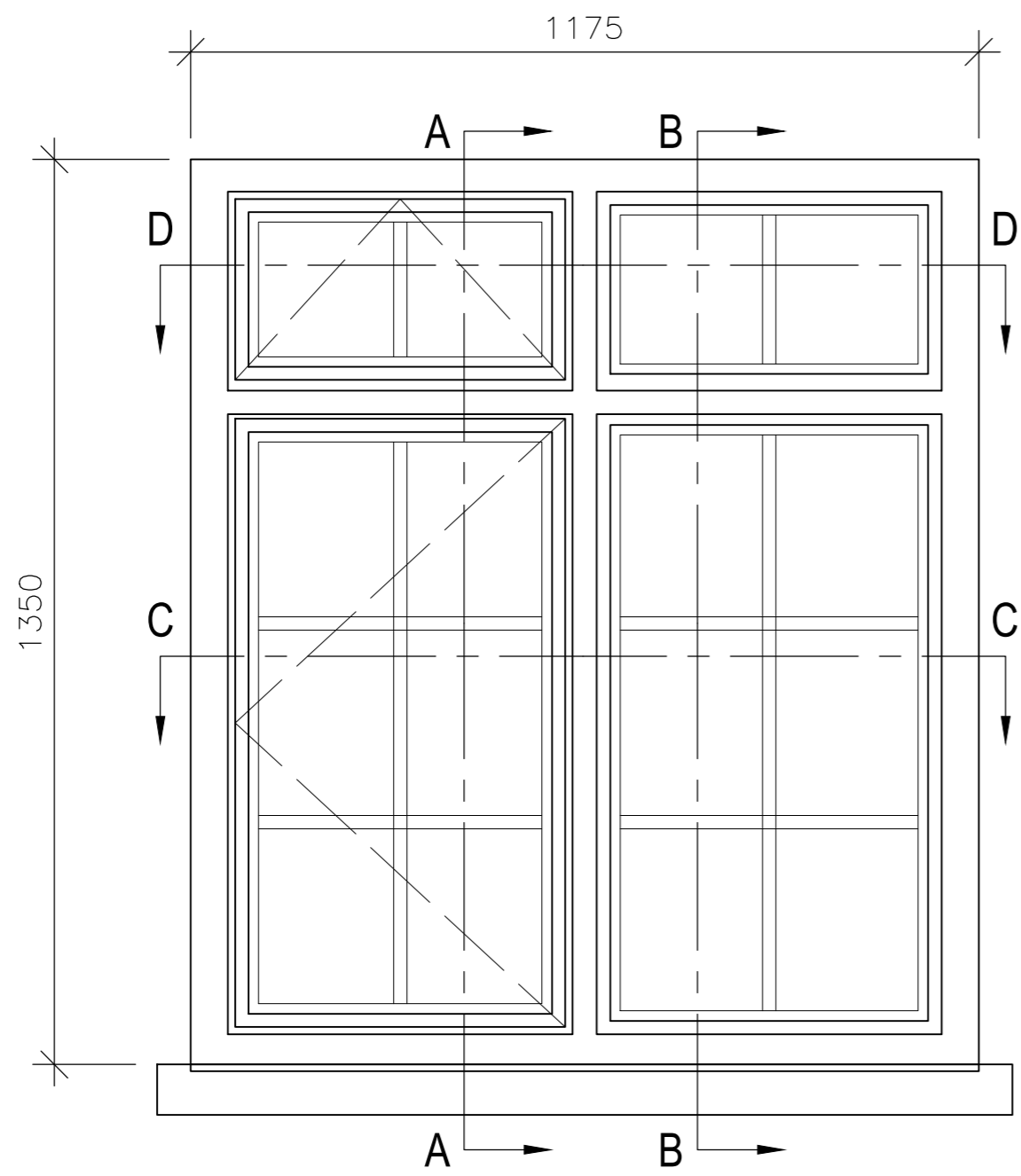


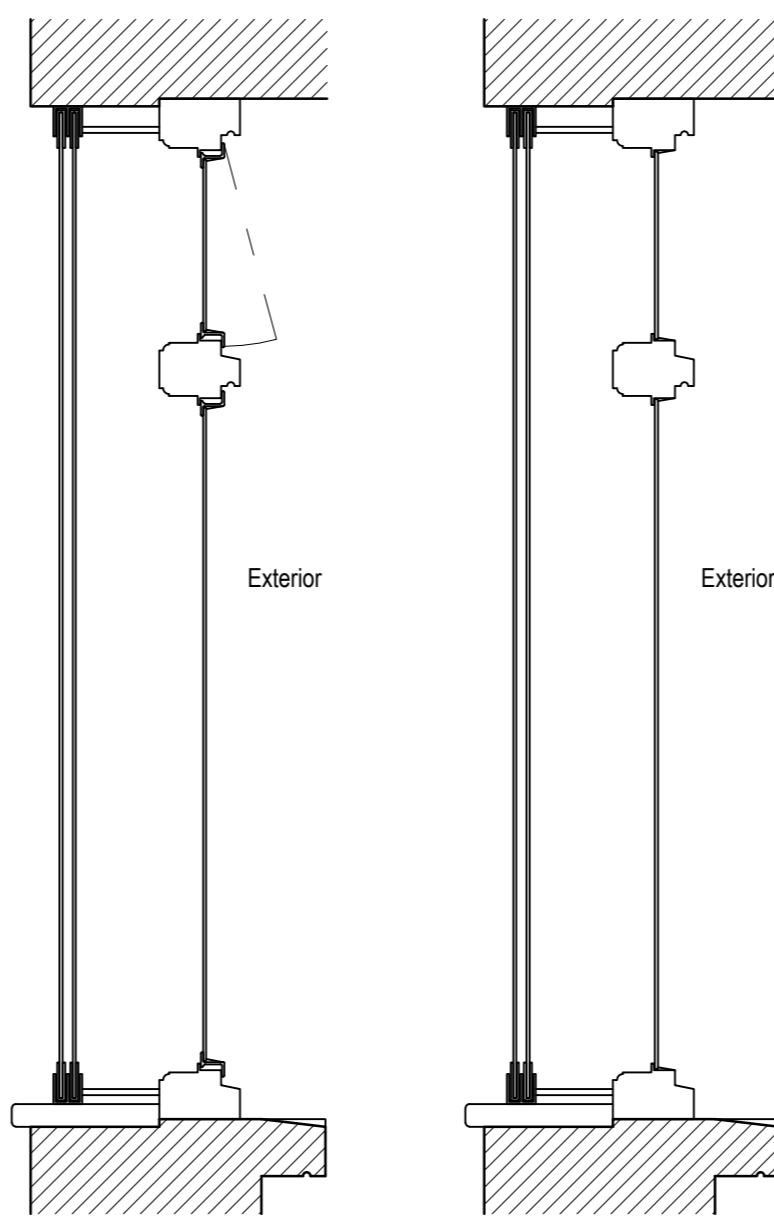
Section D-D



Section C-C

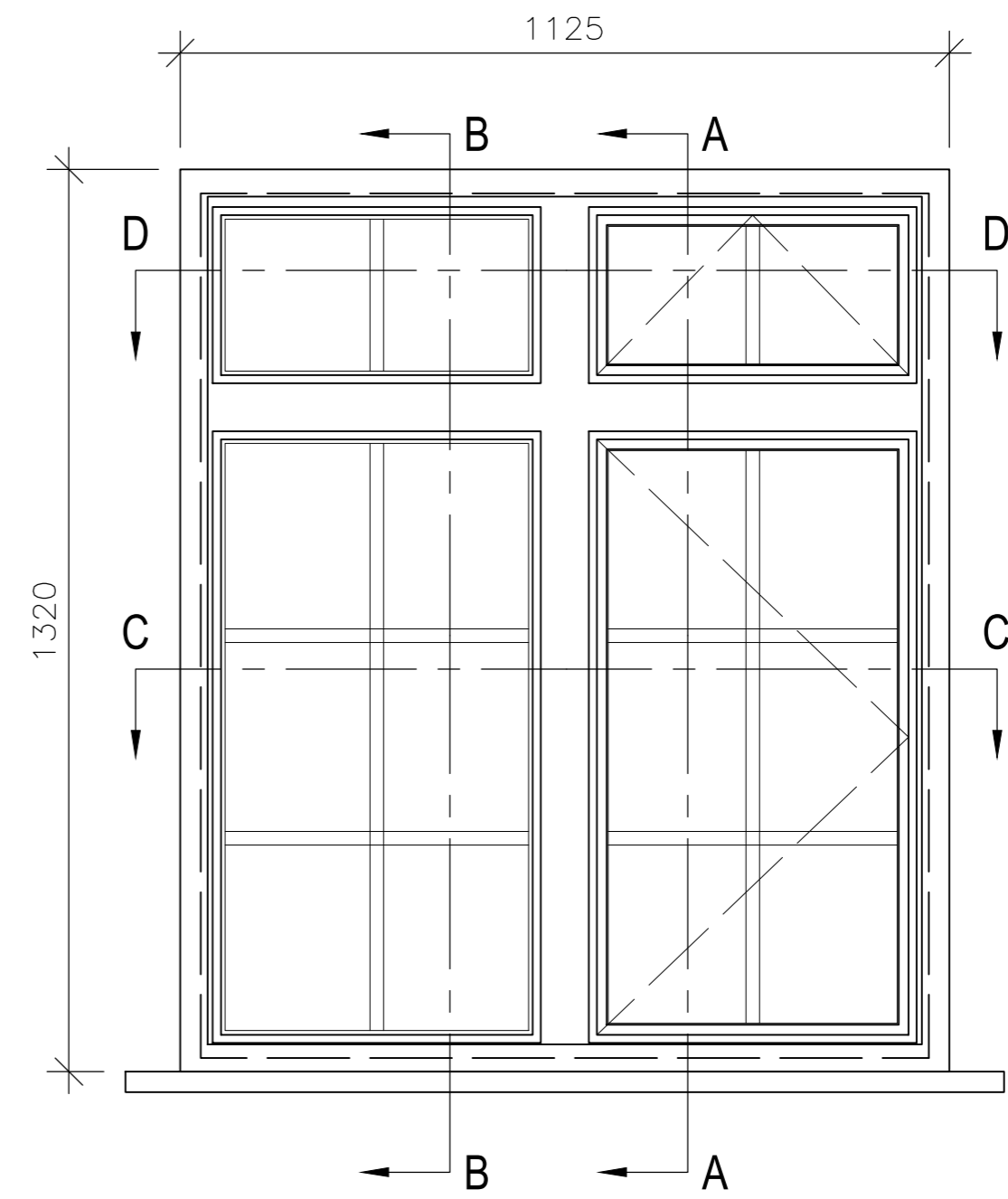


External Elevation



Section A-A

Section B-B



Internal Elevation

NOTES:

Report all discrepancies, errors and omissions
Do not scale from this drawing.
Verify all dimensions on site before commencing any work or preparing shop drawings.
All materials, components and workmanship are to comply with all the relevant British Standards, Codes of Practice, and appropriate manufacturers recommendations that from time to time shall apply.
For all specialist work, see relevant drawings.

This drawing and design are copyright of PELLINGS LLP

PRELIMINARY

Rev	Date	Description	Name



Pellings LLP Northside House Mount Pleasant Barnet EN4 9EB T: 020 8441 1800 F: 020 8441 4516 www.pellings.co.uk		Architecture & Planning ■ Building Surveying ■ Project Management ■ Cost Consultancy ■ CDM Co-ordination	
CLIENT LONDON BOROUGH OF CAMDEN	PROJECT 415 FINCHLEY ROAD, LONDON NW3 6HJ	DATE 10/01/2019	SCALE 1:10 @A2
TITLE Existing Typical Window Details Type W10 415A Bedroom 2	DRAWN MV	CHECKED MV	DRAWING NO. 510 061 210