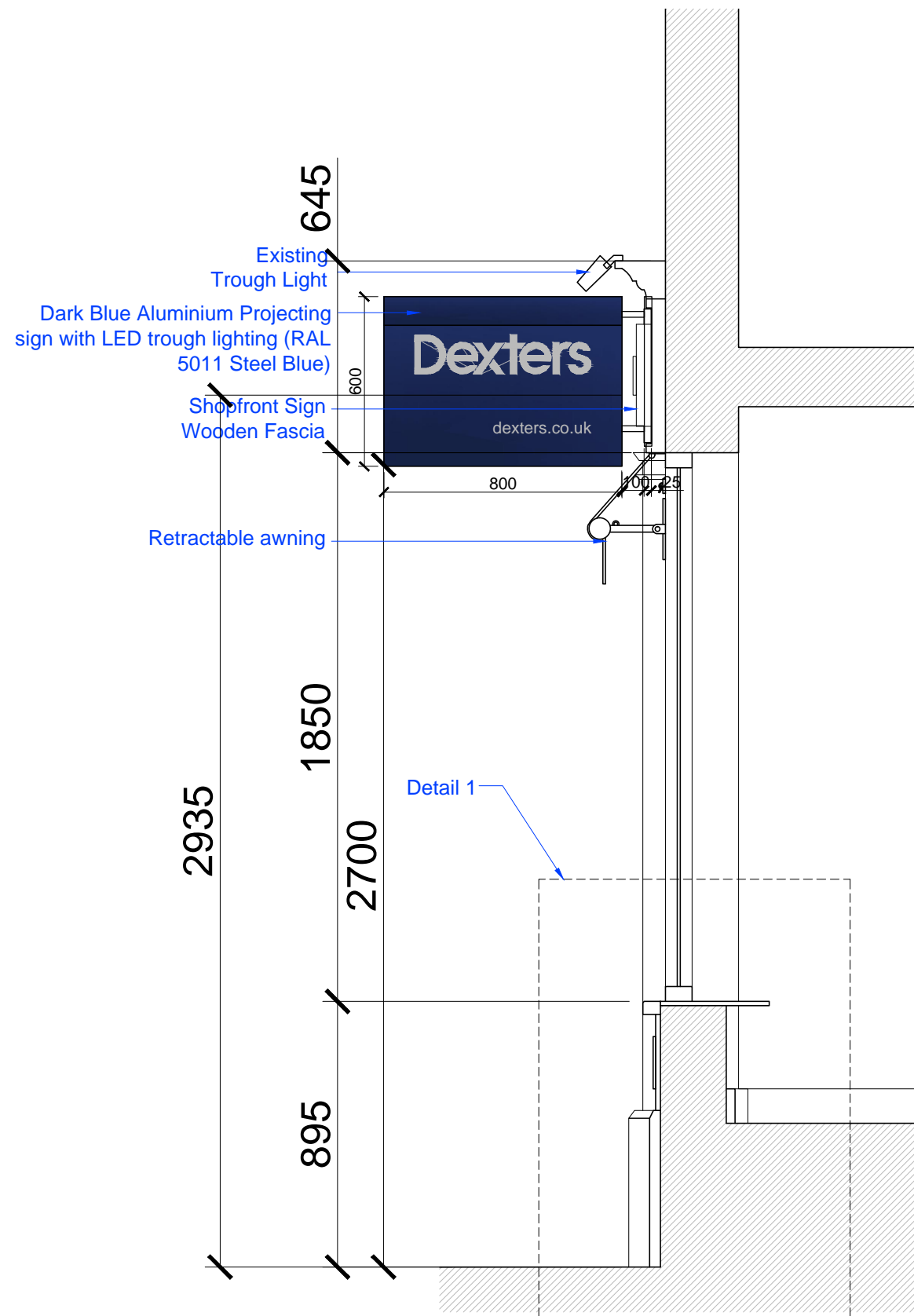


0m 0.5m 1m 1.5m 2m

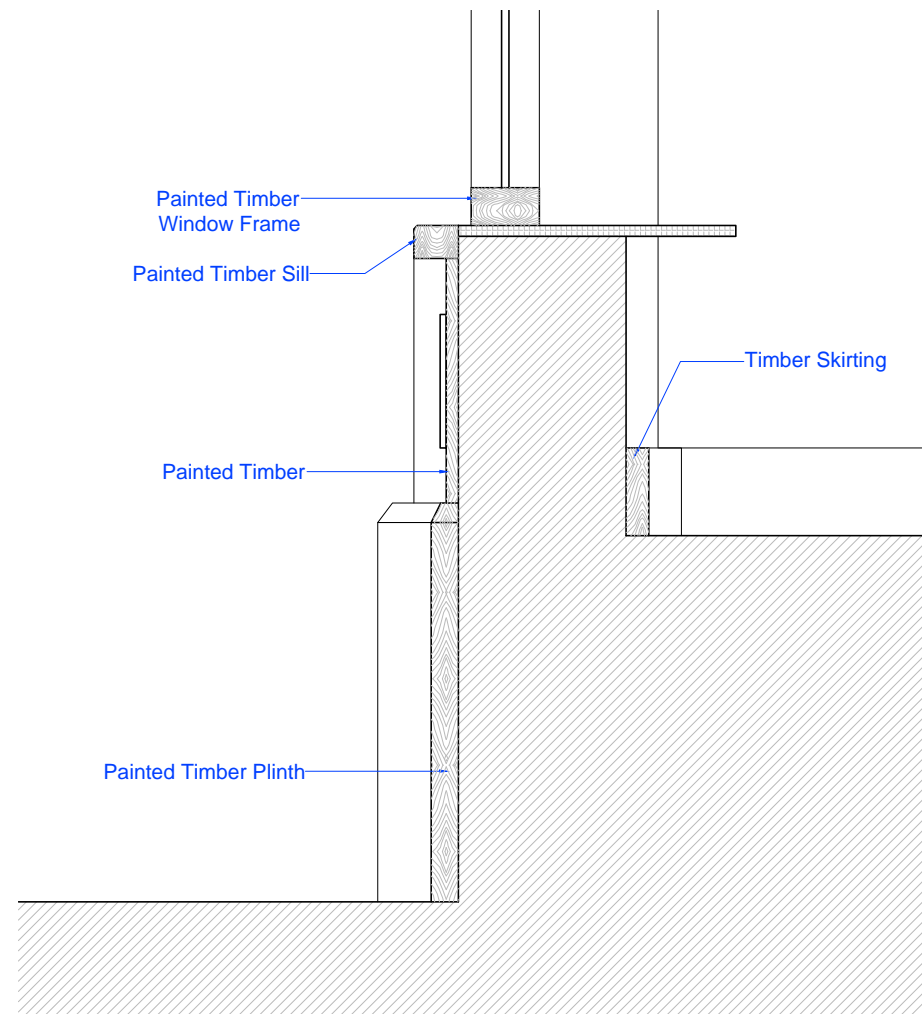
Scale 1:20

0m 0.2m 0.4m 0.6m 0.8m 1m

Scale 1:10



1 / Section A-A, Scale 1:20



2 / Detail 1, Scale 1:10

Job Title:
New Shopfront

Drawing Title:
As Built Sections

Revision Notes:

CLIENT : Dexters LTD
 SITE: 35 Highgate High Street, London, N6 5JT

This drawing must not be reproduced in whole or part without written consent. Do not scale this drawing. Written dimensions to be checked on site. Electronic issue to be confirmed by paper copy only.



Ideal Planning and Design Ltd.
 Hyde Park House
 5 Manfred Road,
 London, SW15 2RS
 Tel: 0208 8230750
 Web: www.idealplanningdesign.co.uk
 Email: info@idealpd.co.uk

Scale: 1:20 @ A3 Date: 25/02/2019

Drawn By: AB Checked By: CG

PROJECT 1422	Drawing No 11	Rev
-----------------	------------------	-----