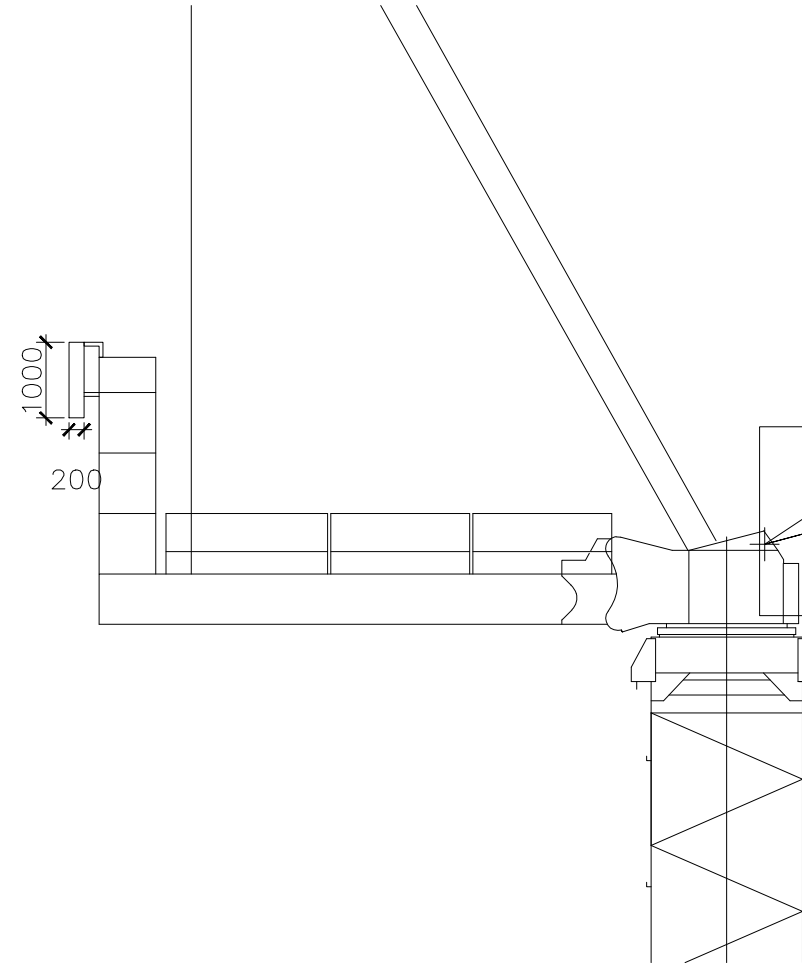
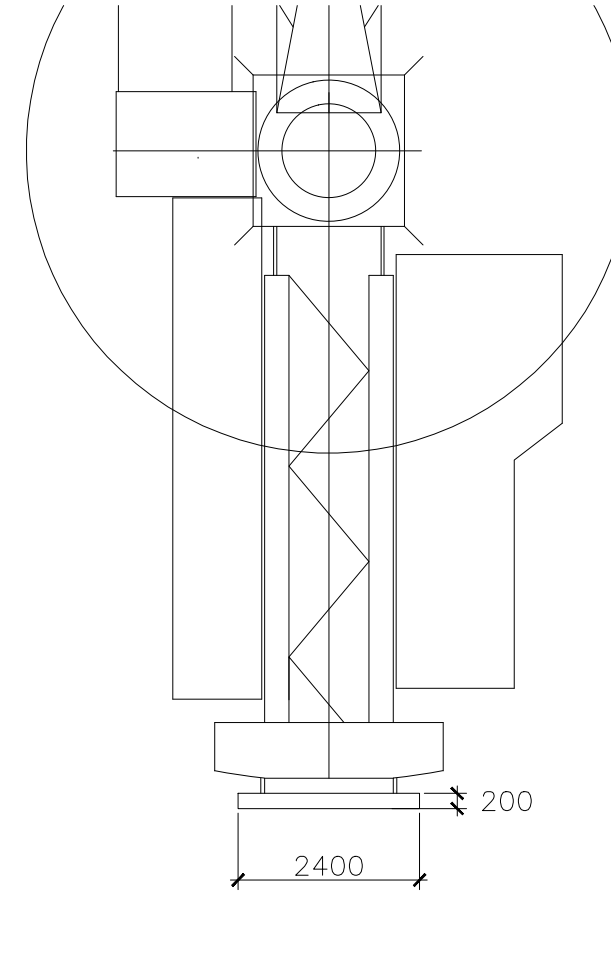


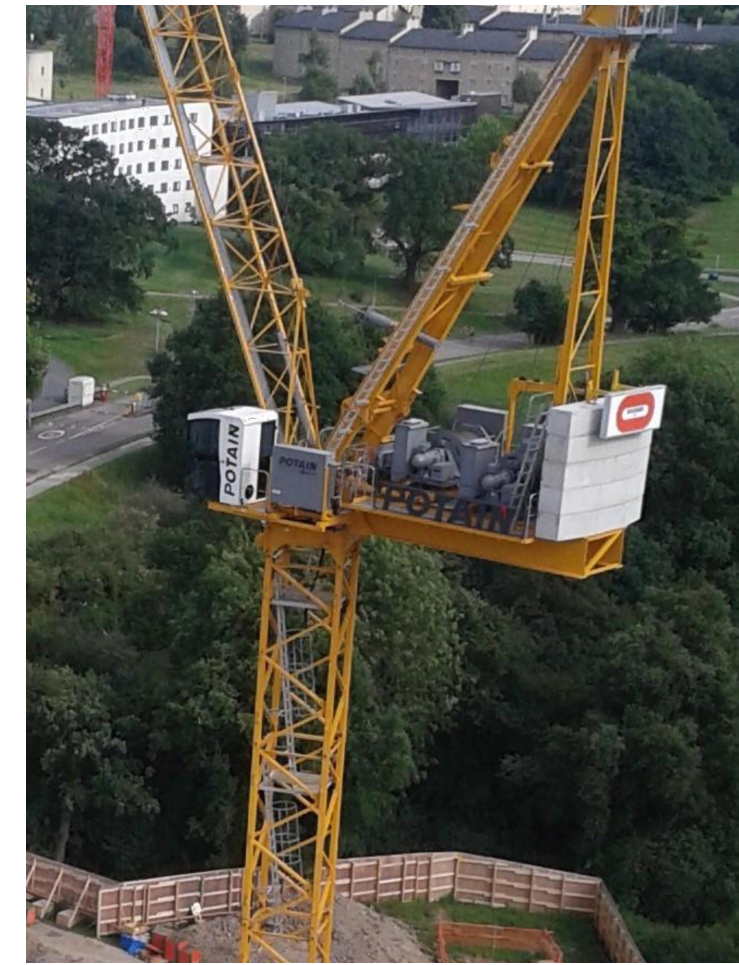
01 Front Elevation
Scale 1:100



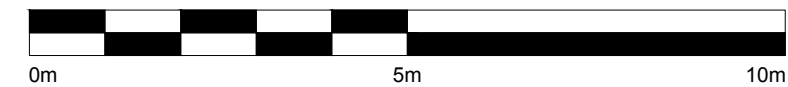
02 Side Elevation
Scale 1:100



03 Plan
Scale 1:100



04 Signage Example
Scale n/a



Revision	Date	Description
P01	19-01-24	Issued for Planning

BroadwayMalyan^{BM}

3 Weybridge Business Park
Addlestone Road
Weybridge, Surrey
KT15 2BW

T: +44 (0)1932 845 599
F: +44 (0)1932 856 206
E: Wey@BroadwayMalyan.com
www.BroadwayMalyan.com

Client
Taylor Wimpey Central London

Project
RMG Mount Pleasant Phoenix Place Plot 01

Description
Cranes LC1 & LC2
Proposed Signage Elevation and Section

Status
For Planning

Scale 1:100 @ A3 Drawn By AH Date Jan 19

Job Number 32875 Drawing Number 32875-05-1002 Revision P01

Original size 100mm @ A3 Copyright Broadway Malyan Limited