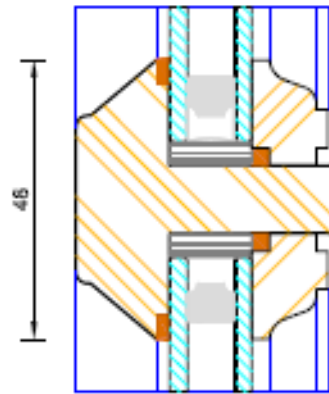
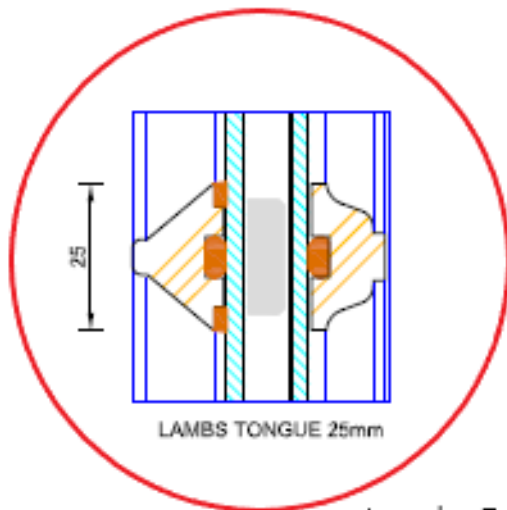


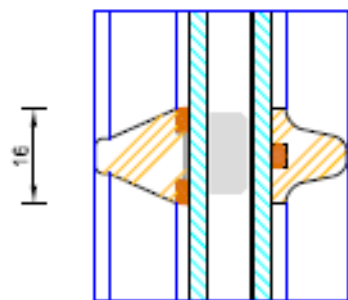
LAMBS TONGUE 35mm



LAMBS TONGUE 48mm



LAMBS TONGUE 25mm



LAMBS TONGUE 16mm

Lambs Tongue
25mm to be used
for glazing bars



Heritage Slim-Line Sliding Sash Cords & Weights
Bar Options

DIMENSION	PLOT SIZE	SCALE	DATE	REV	DWG No.
MM	A4	1:1	01/06/2012	A	2702

Please consider the environment before printing