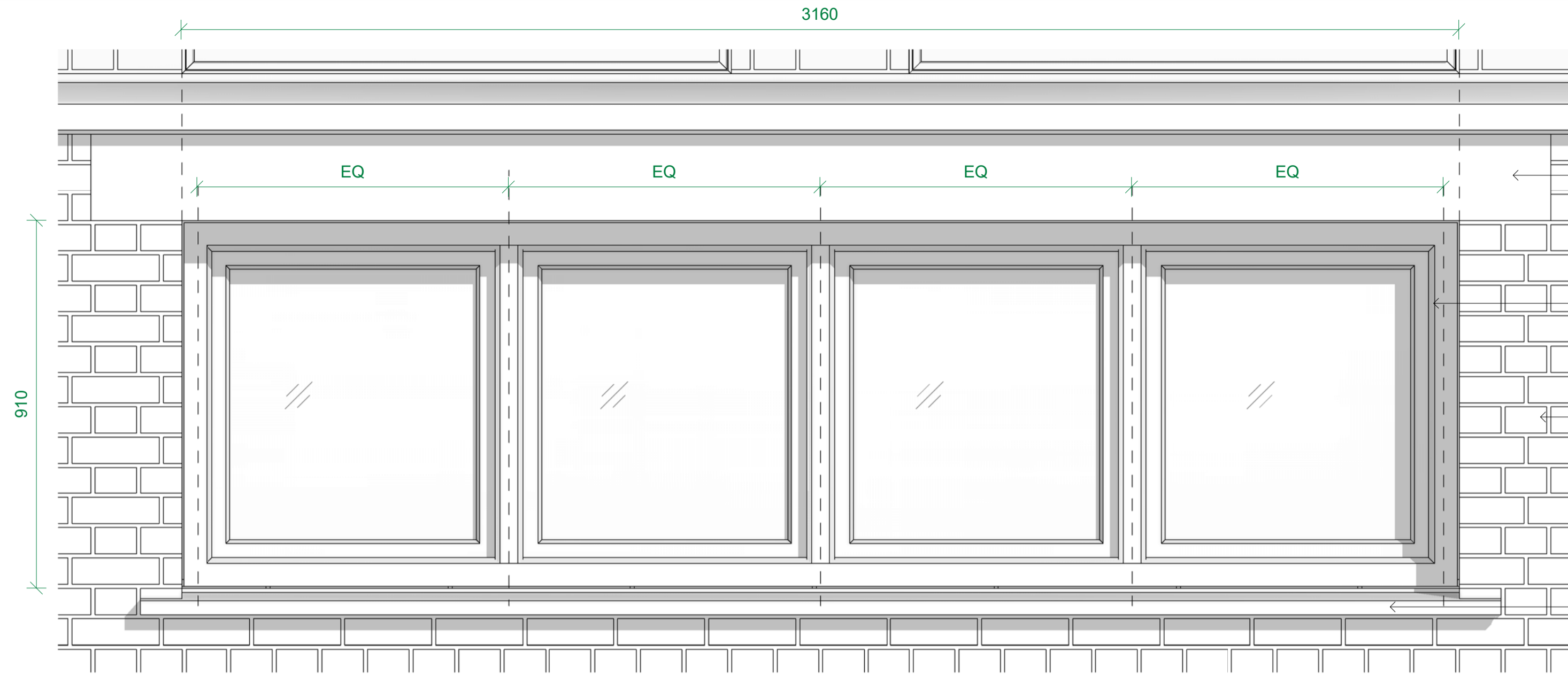


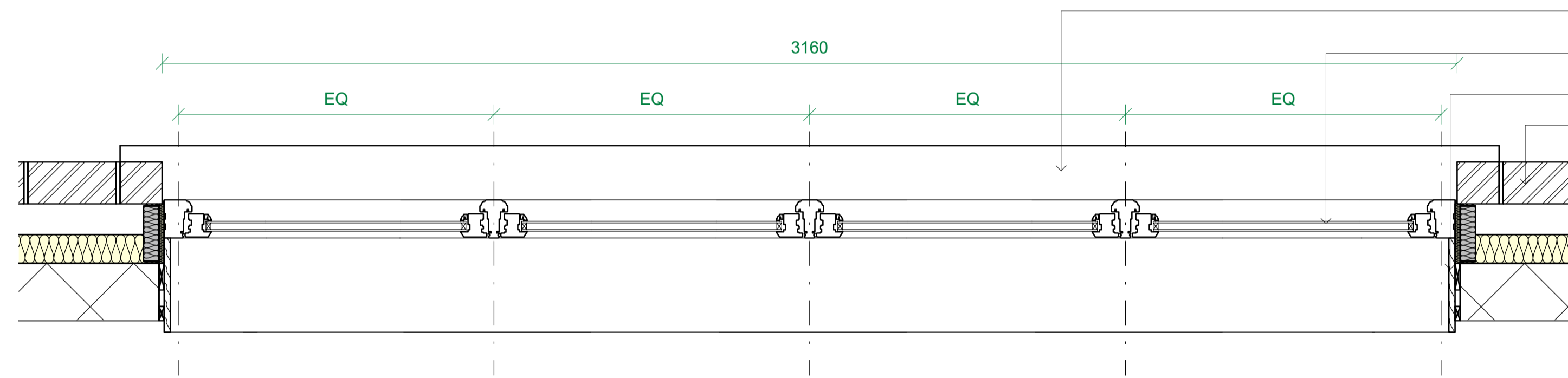


1 20 Denmark Place - Front Elevation - Level 02 Lower Window  
Scale: 1 : 50



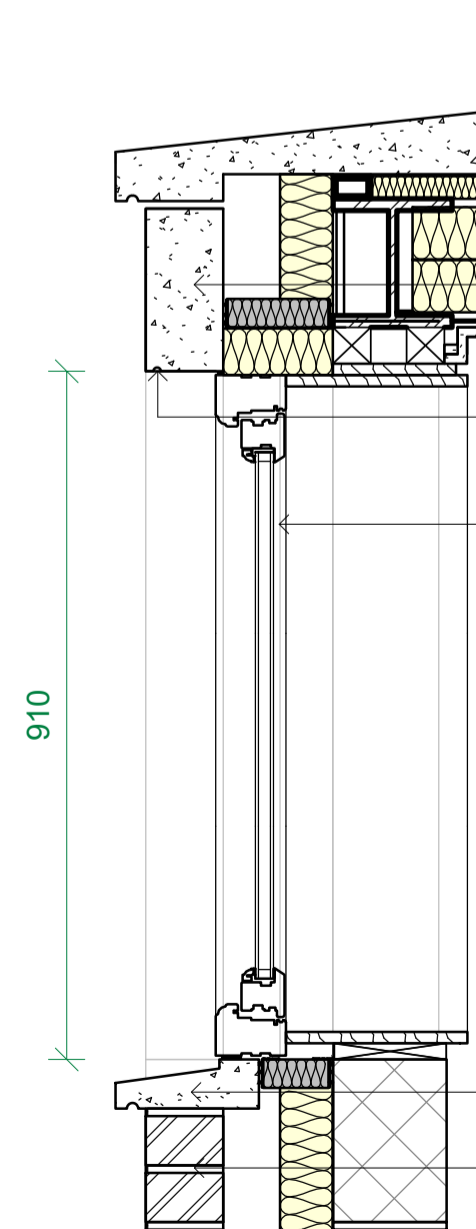
2 20 Denmark Place - Level 02 Lower Window Elevation  
Scale: 1 : 10

- Architretural precast concrete lintel
- Timber casement window - grey, RAL 7016
- Red Brick - English Bond
- Architretural precast concrete cill



3 20 Denmark Place - Level 02 Lower Window Plan  
Scale: 1 : 10

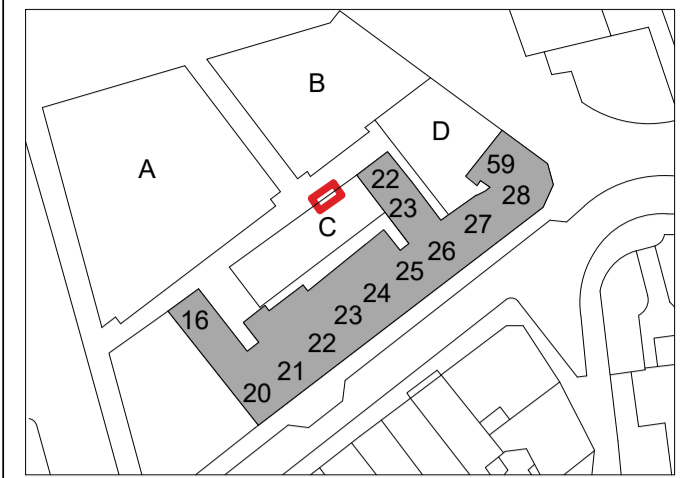
- Architretural precast concrete cill
- Timber casement window - grey, RAL 7016
- Finished hardwood timber surround to window
- Red Brick - English Bond



4 20 Denmark Place - Level 02 Lower Window Section  
Scale: 1 : 10

- Architretural precast concrete lintel
- Preformed drip
- Timber casement window - grey, RAL 7016
- Architretural precast concrete cill
- Red Brick - English Bond

Key Plan:



CDM:



Refer to the Risk Register for more information.

Project: **St Giles Circus**

Project Number: **1793**

Drawing Title:  
**20 Denmark Place - Level 02 Lower Window**

Drawing No.  
**1793\_1\_PL(20)003**

Scale@A1:**As indicated**

Issued for: **PL - PLANNING**

Revision:  
**P01 06.02.19 Planning Issue**

**Orms**

1 Oliver's Yard  
55-71 City Road  
London  
EC1Y 1HQ  
0207 833 8533  
orms@orms.co.uk  
orms.co.uk

Do not scale. All dimensions to be confirmed on site. Information contained in this drawing is the sole copyright of Orms designers + architects ltd and is not to be reproduced without permission.