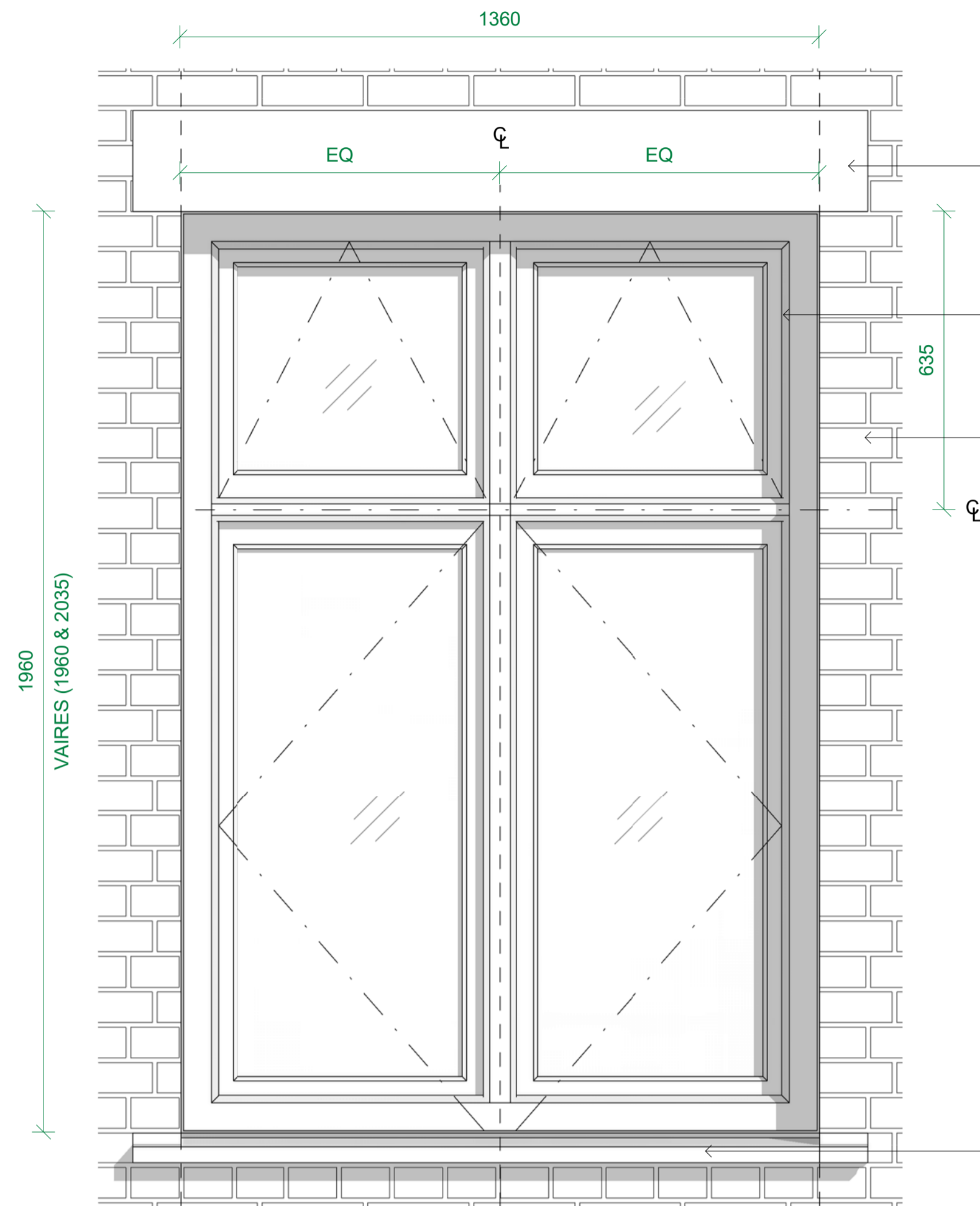


1 19 Denmark Place - Front Elevation - Level 01/02 Windows  
Scale: 1 : 50



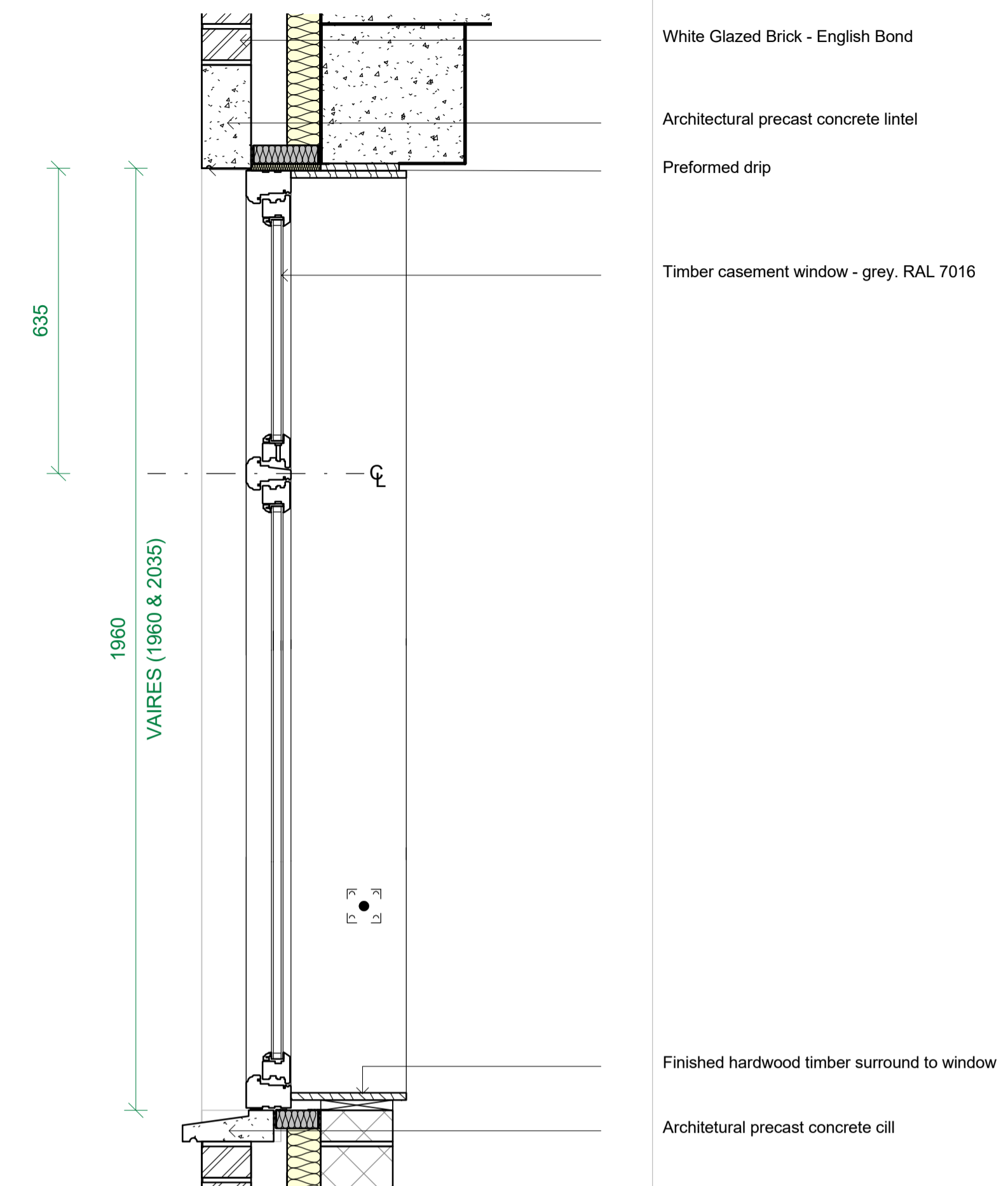
2 19 Denmark Place - Level 01/02 Typical Window Elevation  
Scale: 1 : 10

Architetur precast concrete lintel

Timber casement window - grey, RAL 7016

White Glazed Brick - English Bond

Architetur precast concrete cill



4 19 Denmark Place - Level 02 Typical Window Section  
Scale: 1 : 10

White Glazed Brick - English Bond

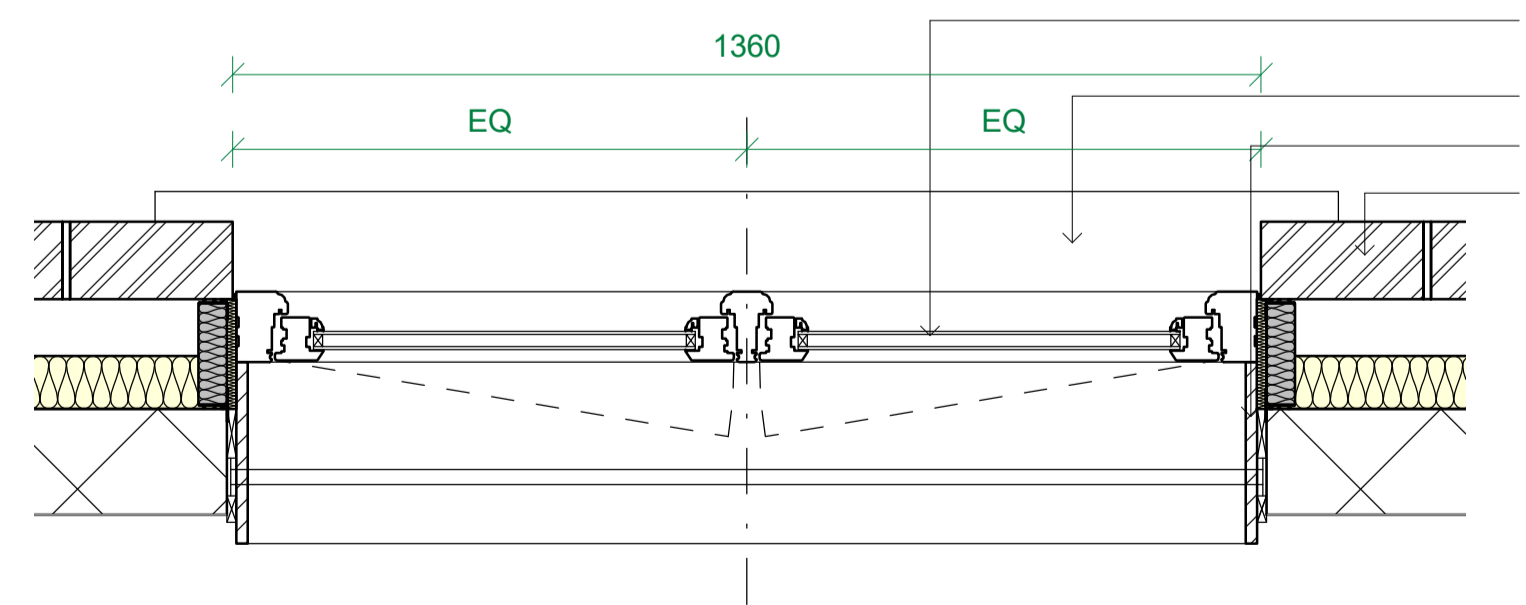
Architetur precast concrete lintel

Preformed drip

Timber casement window - grey, RAL 7016

Finished hardwood timber surround to window

Architetur precast concrete cill



3 19 Denmark Place - Level 02 Typical Window Plan  
Scale: 1 : 10

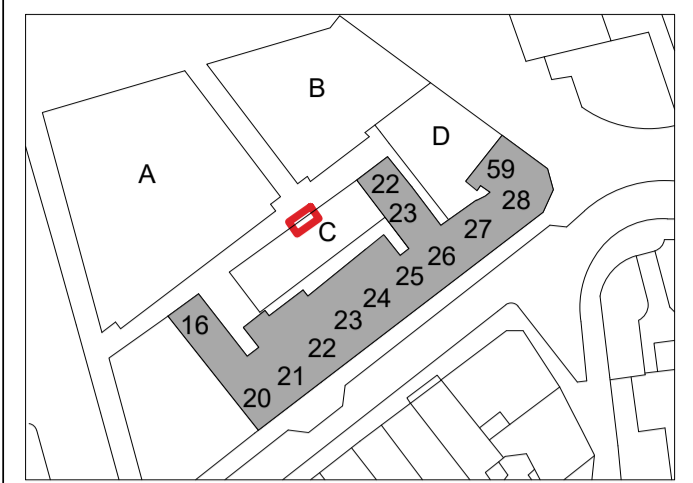
Timber casement window - grey, RAL 7016

Architetur precast concrete cill

Finished hardwood timber surround to window

White Glazed Brick - English Bond

Key Plan:



CDM:



Risks

Refer to the Risk Register for more information.

Project: **St Giles Circus**

Project Number: **1793**

Drawing Title:  
**19 Denmark Place - Level 01/02  
Windows**

Drawing No.  
**1793\_1\_PL(19)002**

Scale@A1:As indicated

Issued for: **PL - PLANNING**

Revision:  
**P01 06.02.19 Planning Issue**

**Orms**

1 Oliver's Yard  
55-71 City Road  
London  
EC1Y 1HQ  
0207 833 8533  
orms@orms.co.uk  
orms.co.uk

Do not scale. All dimensions to be confirmed on site. Information contained in this drawing is the sole copyright of Orms designers + architects ltd and is not to be reproduced without permission.