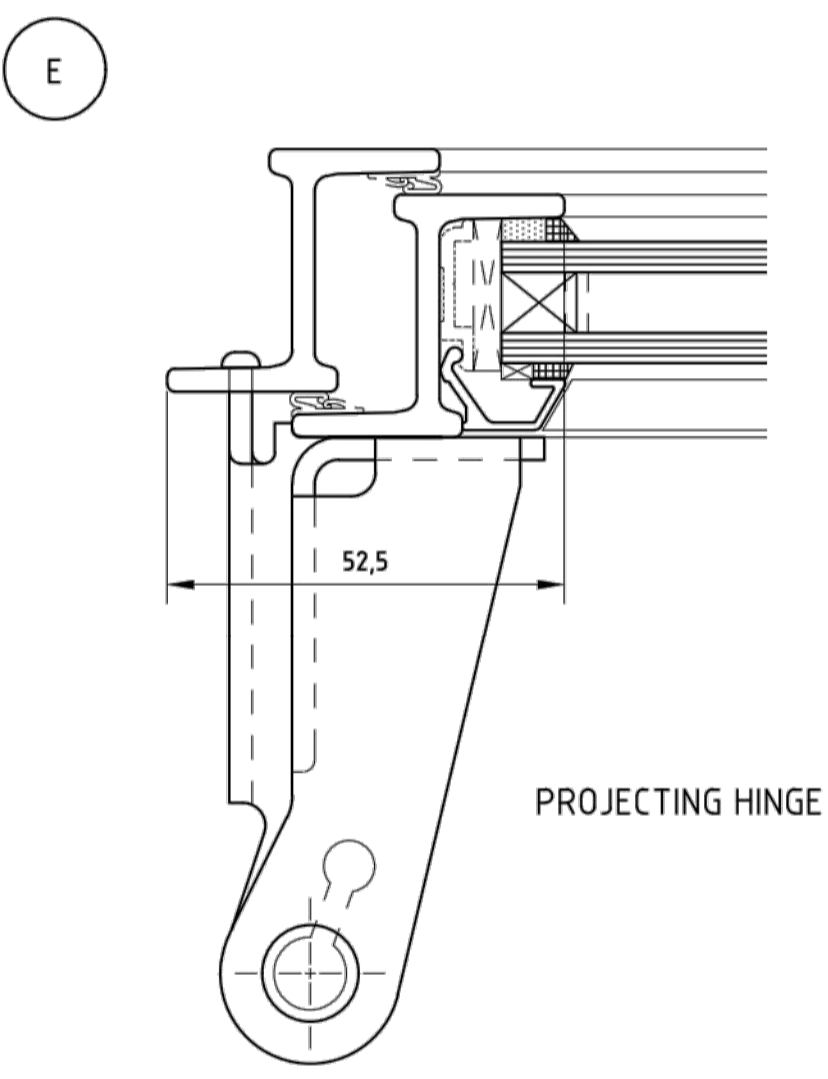
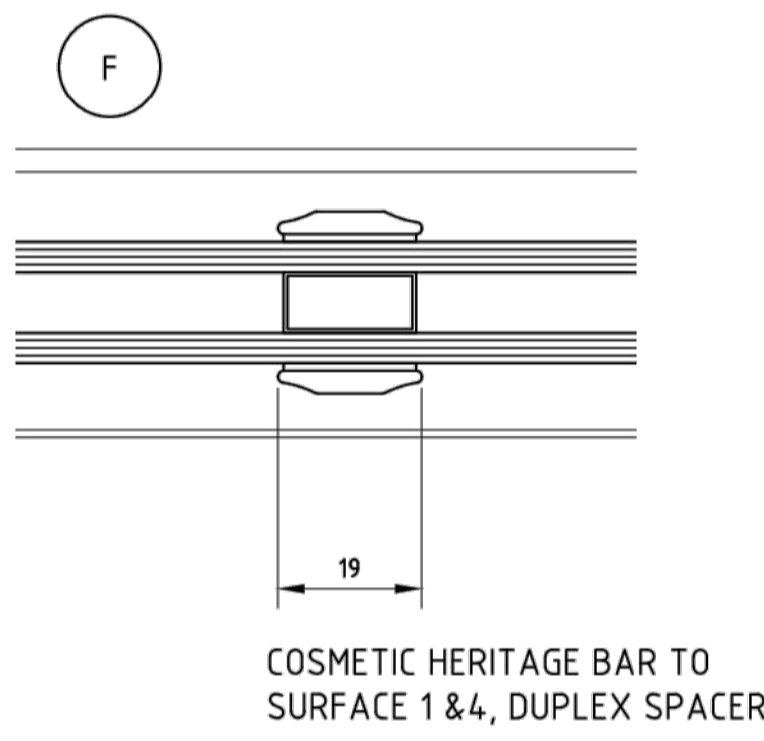


PROPOSED HOMELIGHT PLUS WINDOW
SCALE 1:20

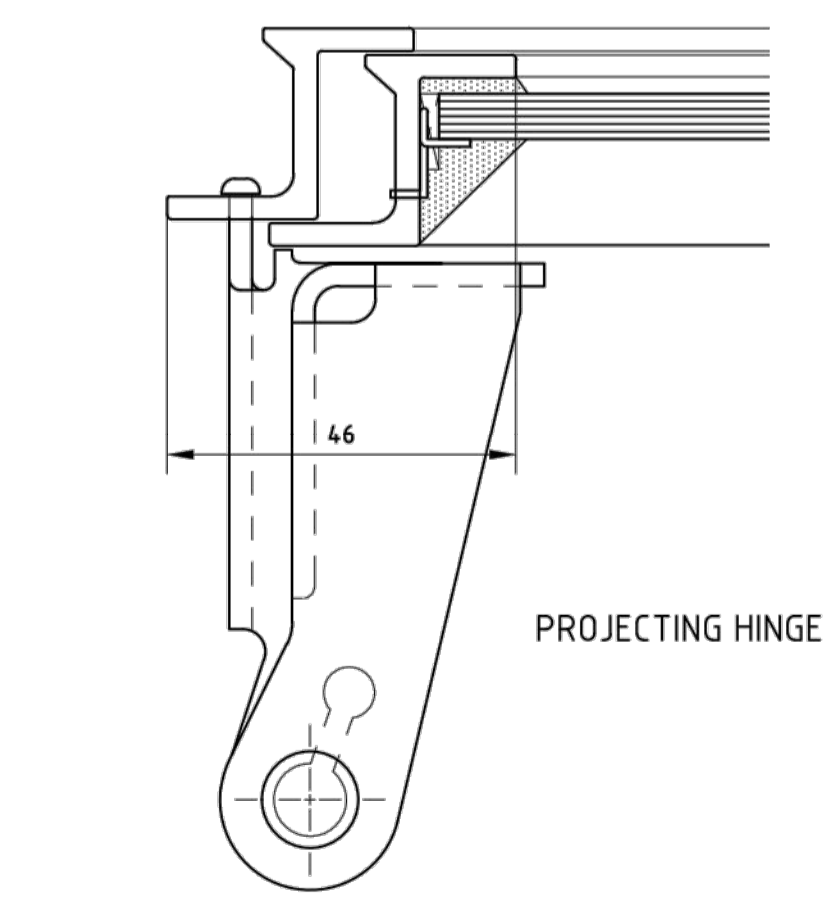
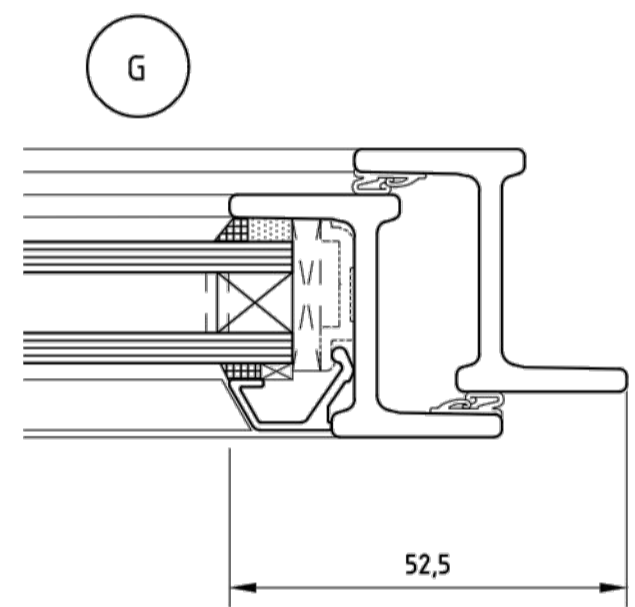


PROJECTING HINGE

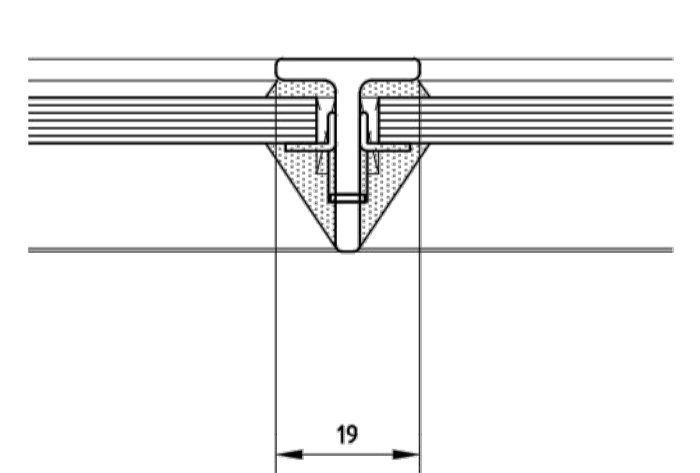


COSMETIC HERITAGE BAR TO SURFACE 1 & 4, DUPLEX SPACER

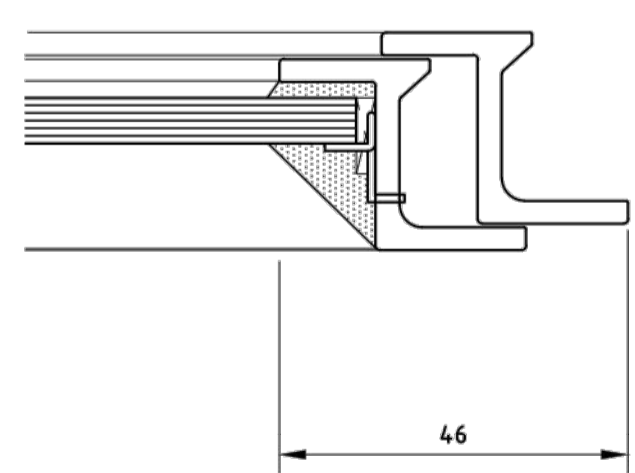
PROPOSED NEW CRITTALL HOMELIGHT PLUS



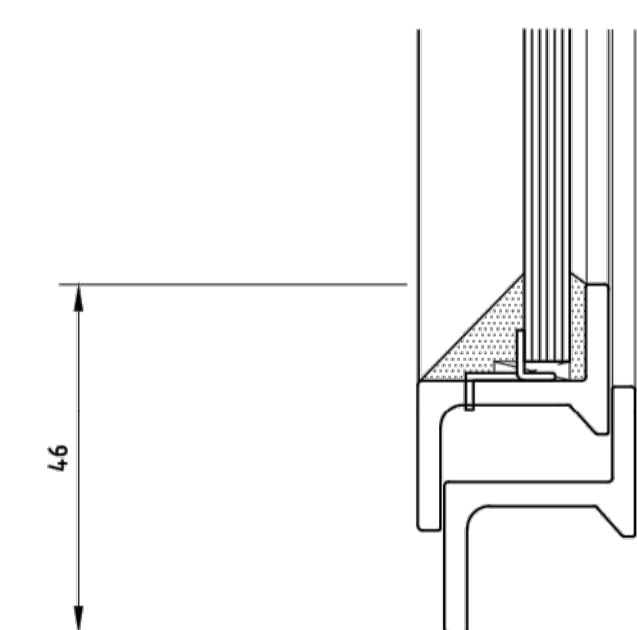
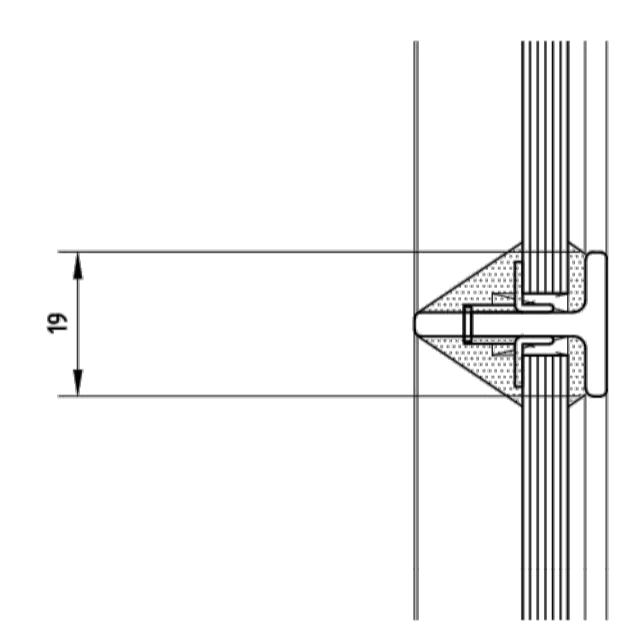
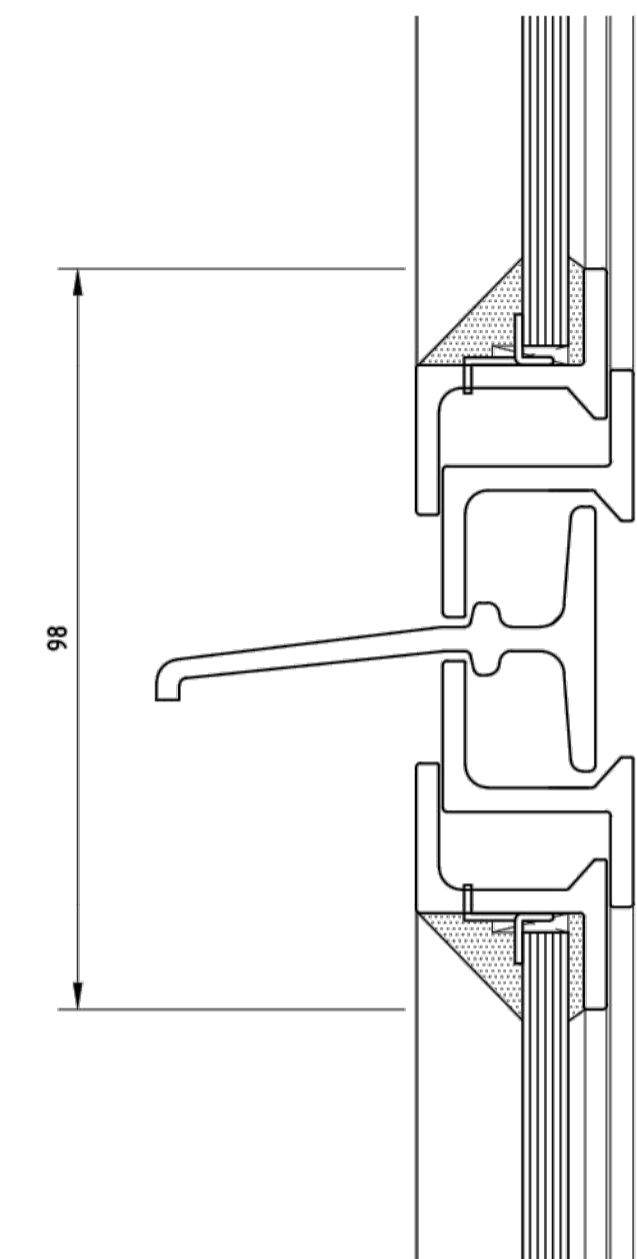
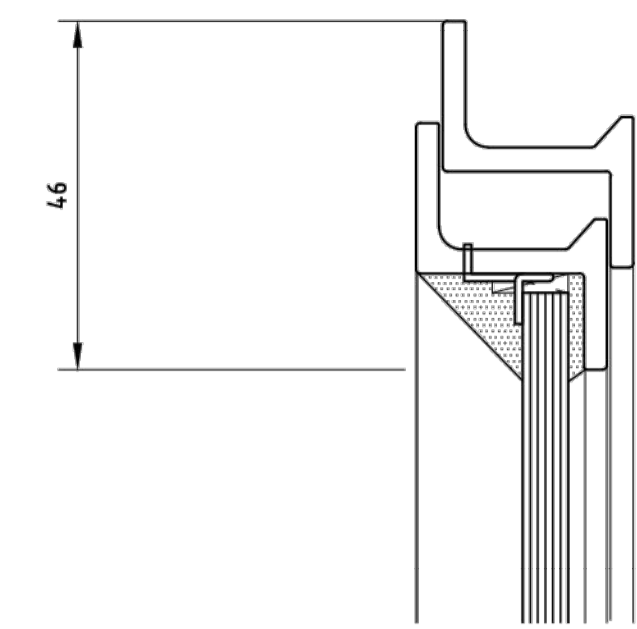
PROJECTING HINGE



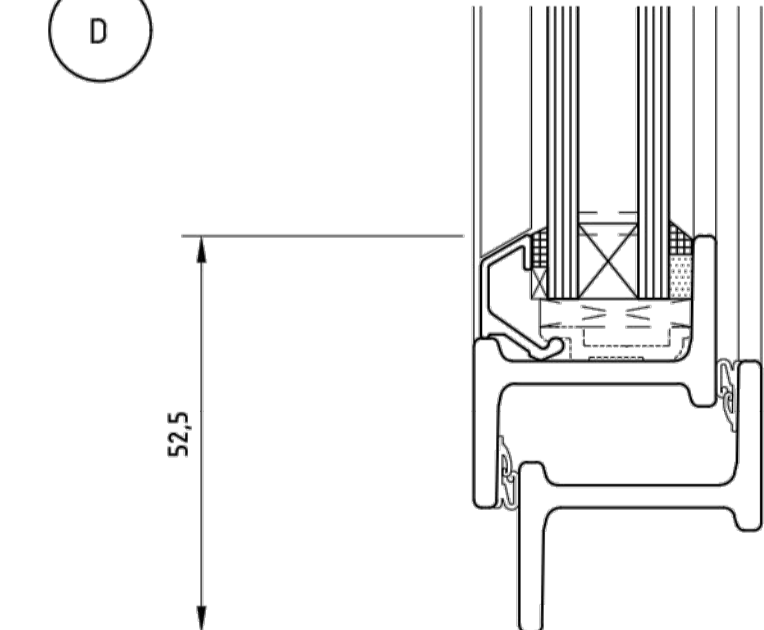
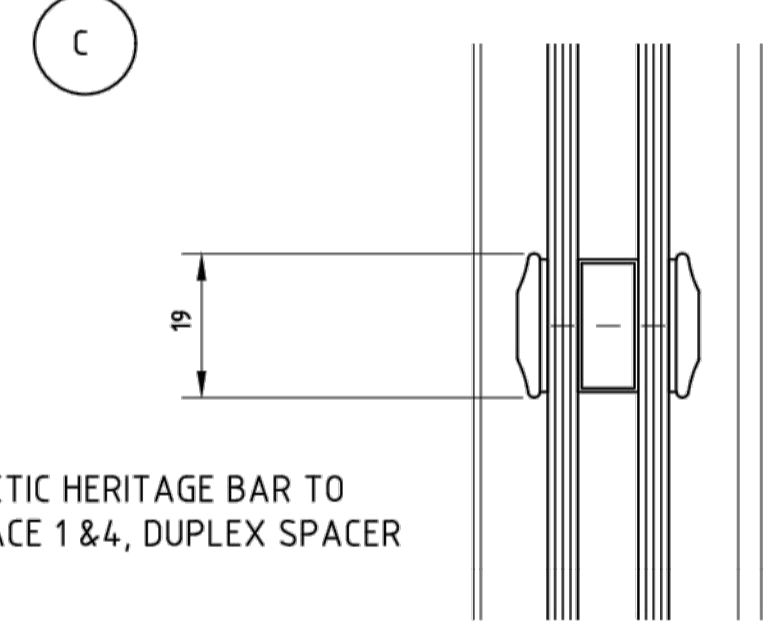
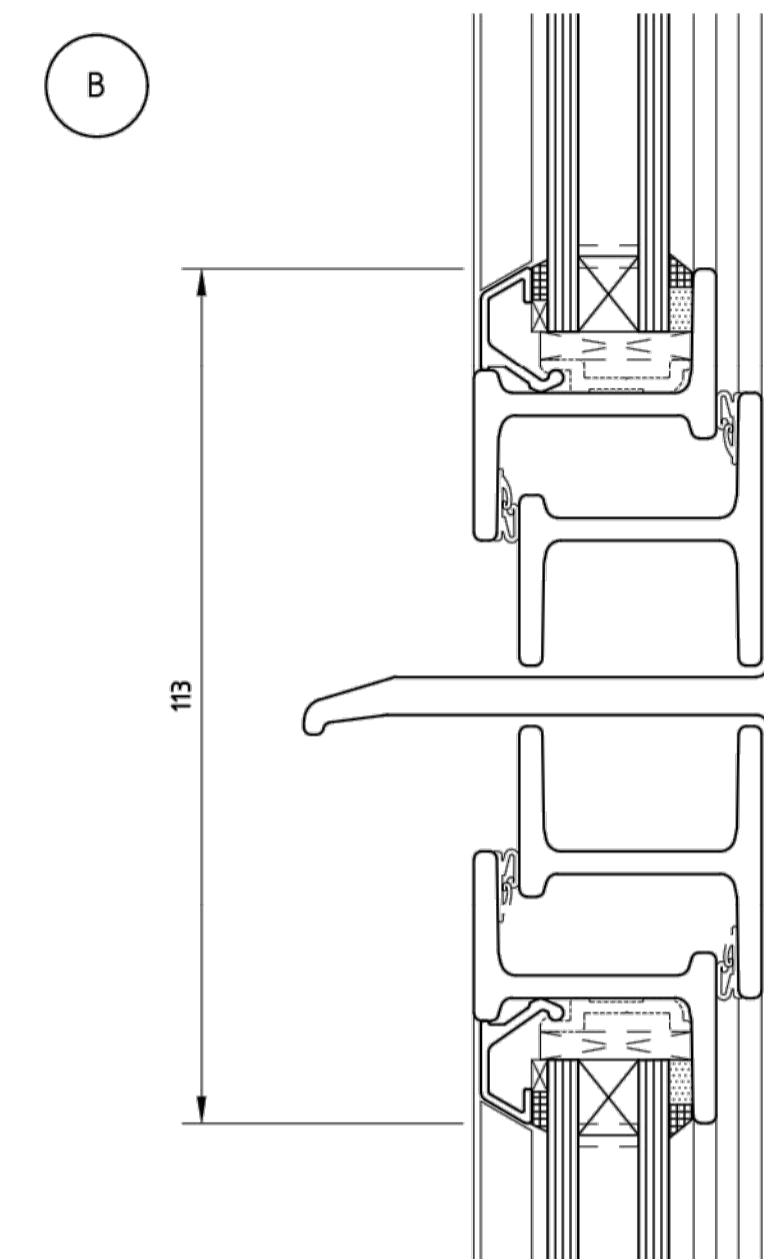
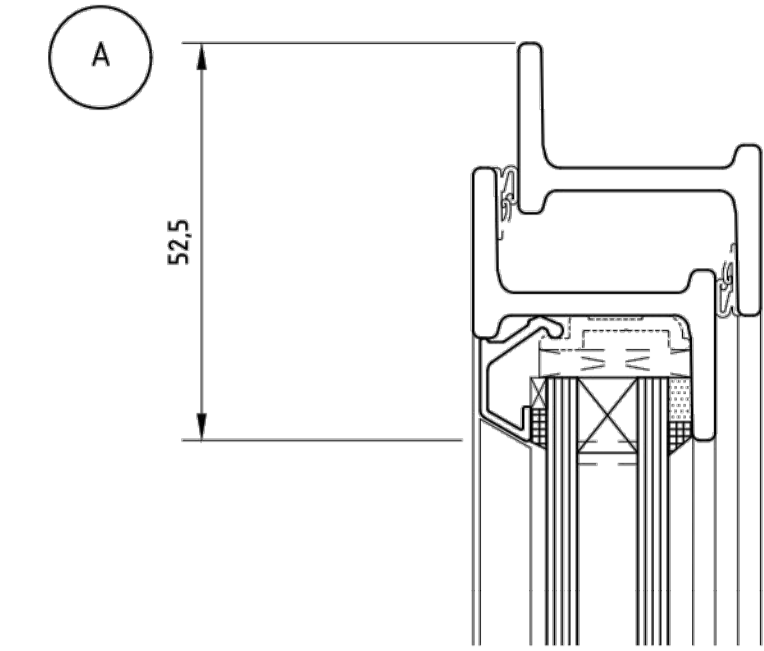
EXISTING ORIGINAL CRITTALL SMW



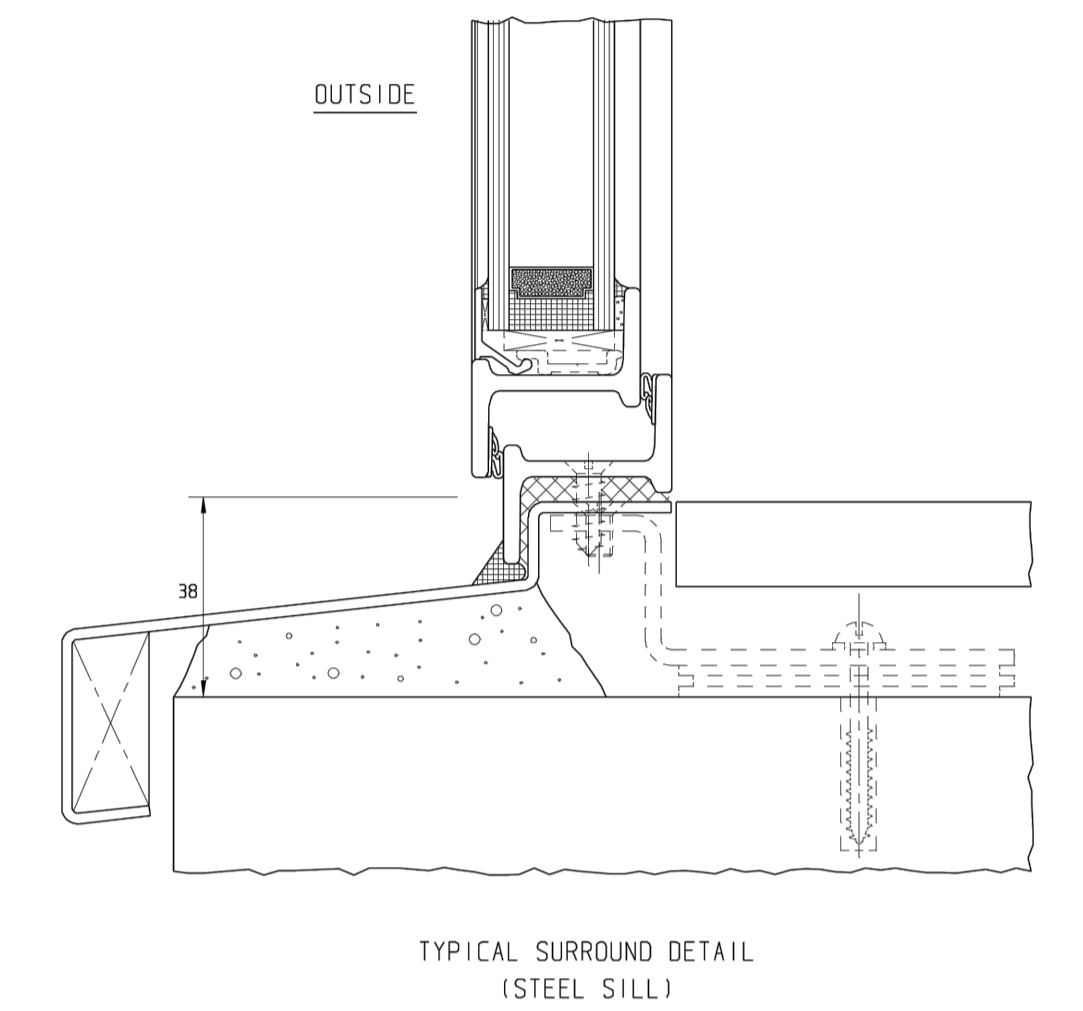
EXISTING ORIGINAL CRITTALL SMW



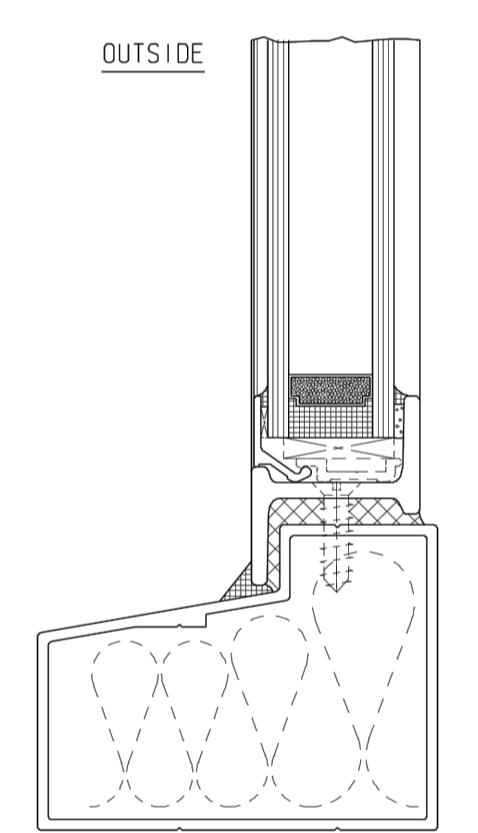
EXISTING ORIGINAL CRITTALL SMW



PROPOSED NEW CRITTALL HOMELIGHT PLUS



TYPICAL SURROUND DETAIL (STEEL SILL)



TYPICAL SURROUND DETAIL (CRITTALL REPLICA POWDER COATED EXTRUDED ALUMINIUM SUB-FRAMES)

TYPICAL SILL DETAILS

QUEEN COURT
QUEEN SQUARE
LONDON WC1N 3BA

QUEEN COURT - EXTERNAL WORKS
CRITTALL WINDOW DETAILS
HERITAGE BAR OPTION

Date	31.01.2019
Scale	1:1 AT A1
Drawing No.	QC-111