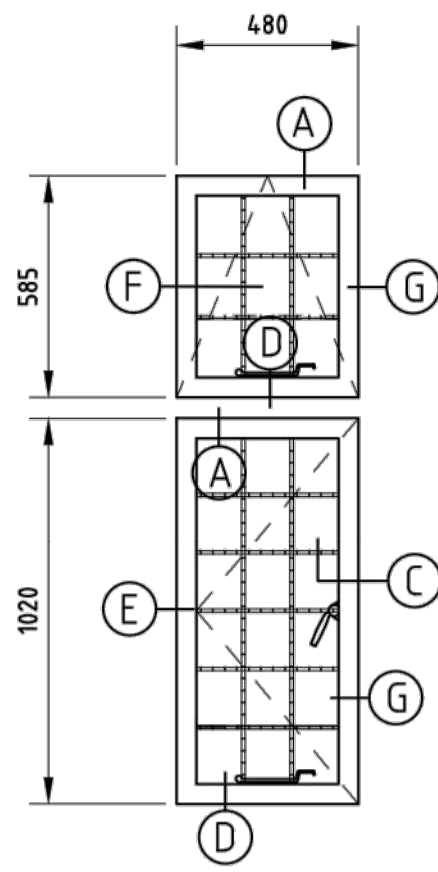
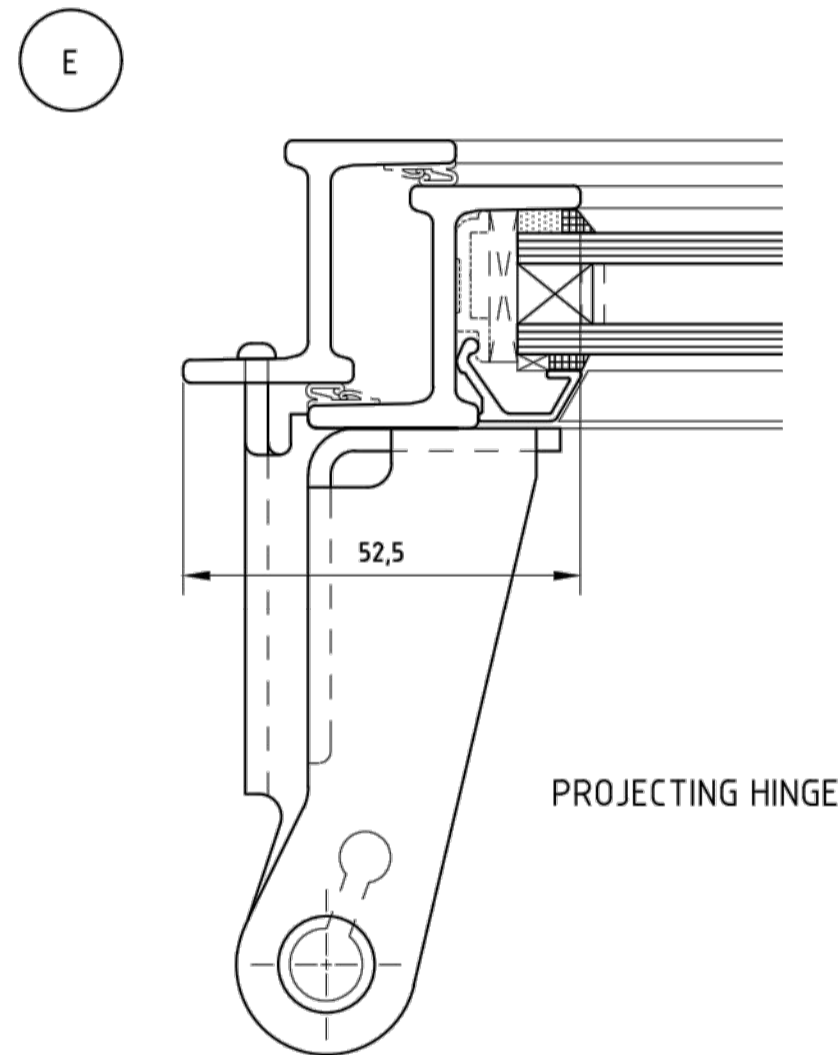


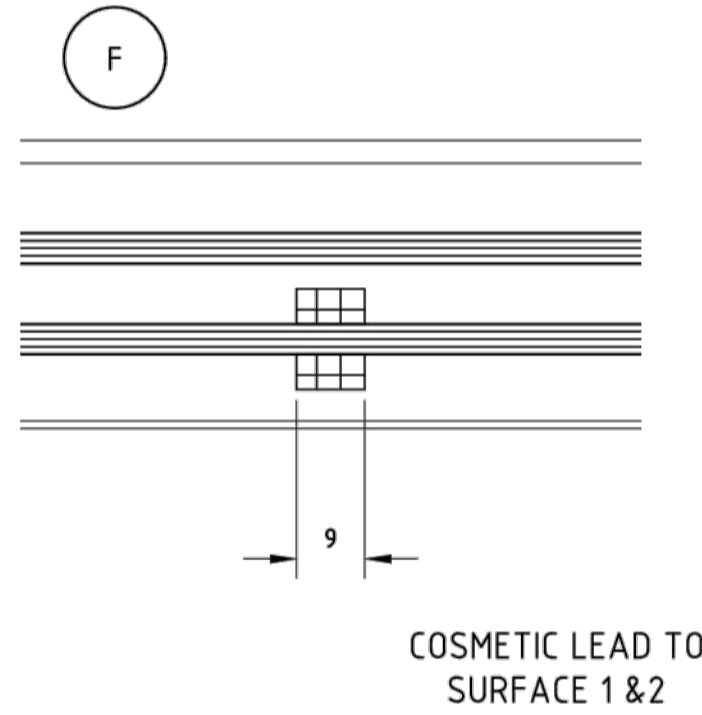
ALL DETAILS BY KIND PERMISSION OF CRITTALL



PROPOSED HOMELIGHT PLUS WINDOW
SCALE 1:20

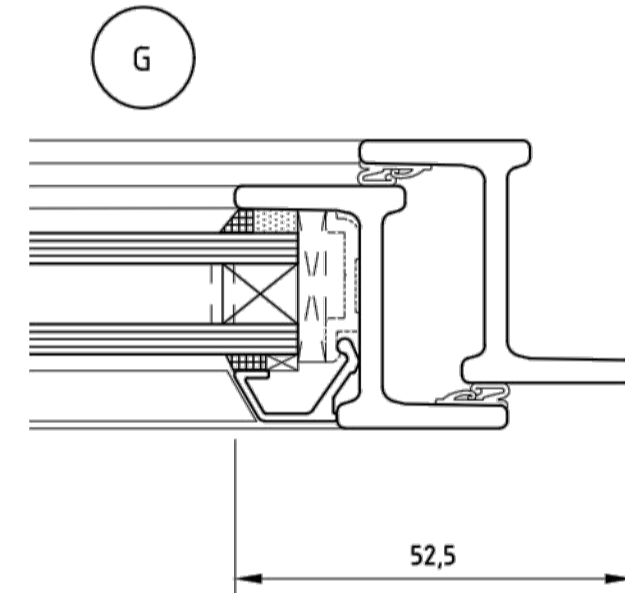


PROJECTING HINGE

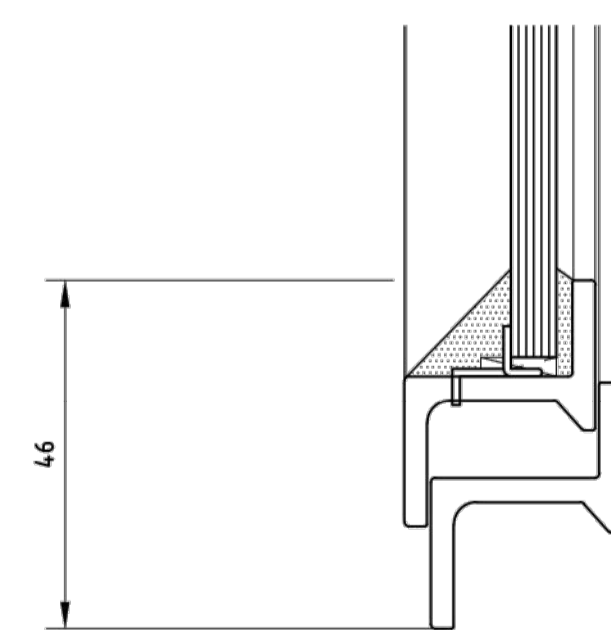
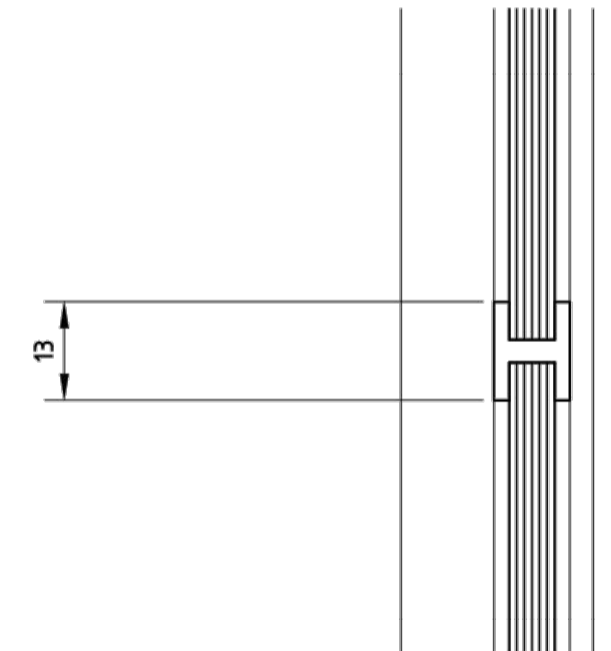
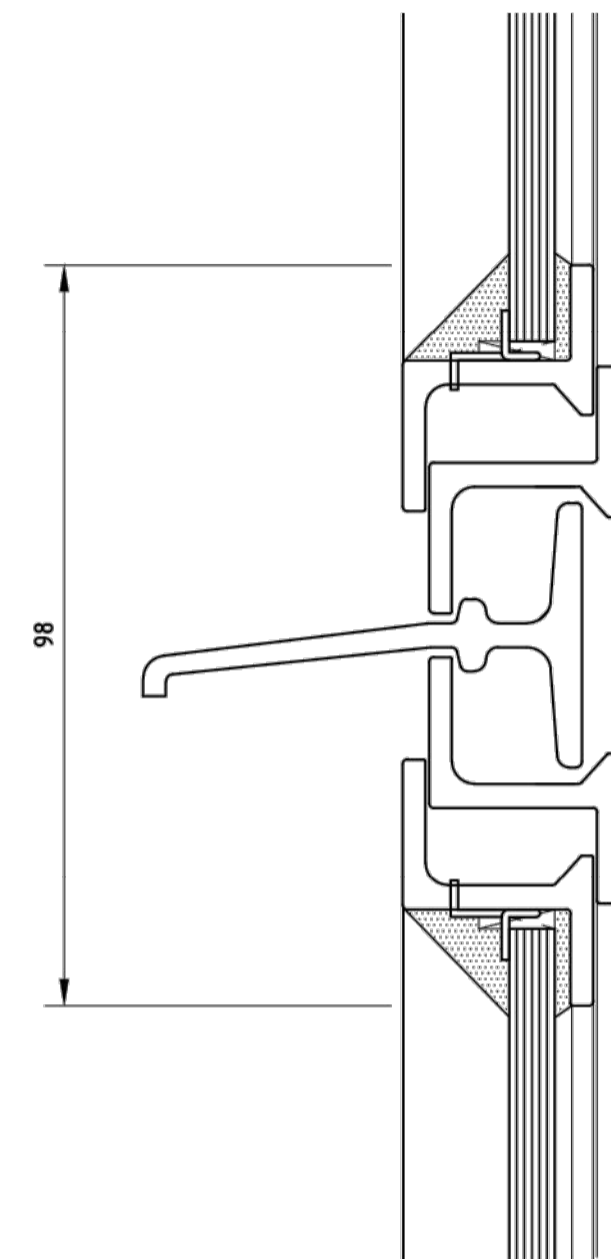
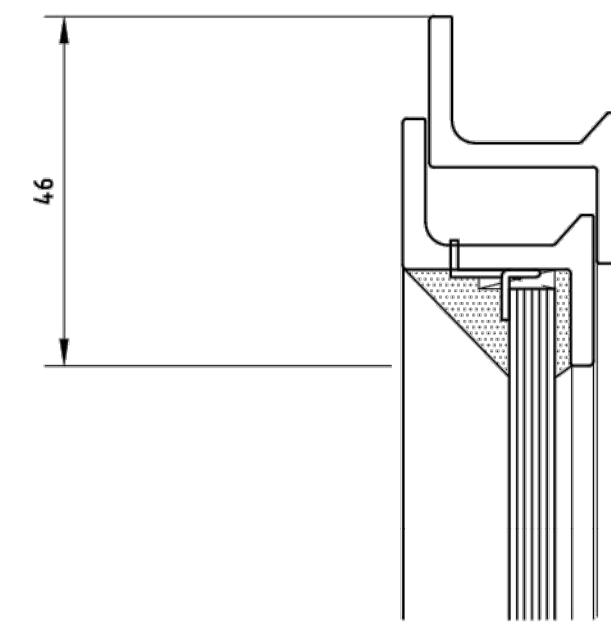


COSMETIC LEAD TO SURFACE 1 & 2

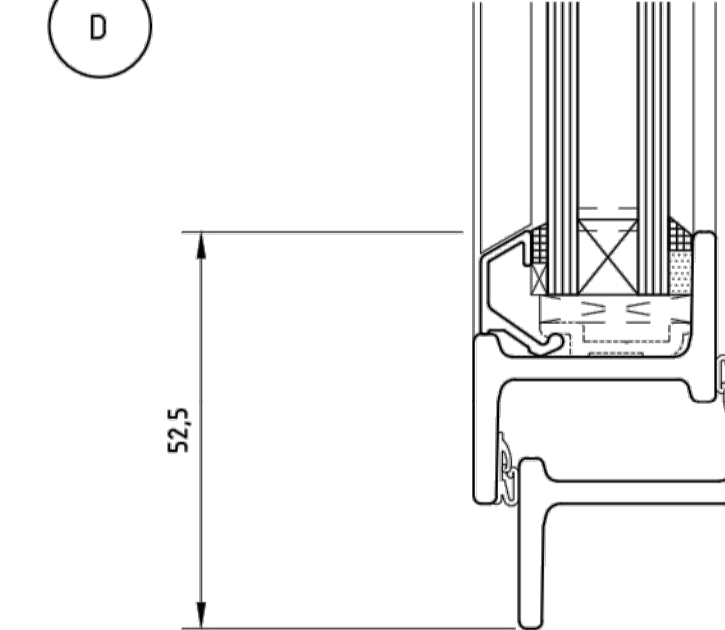
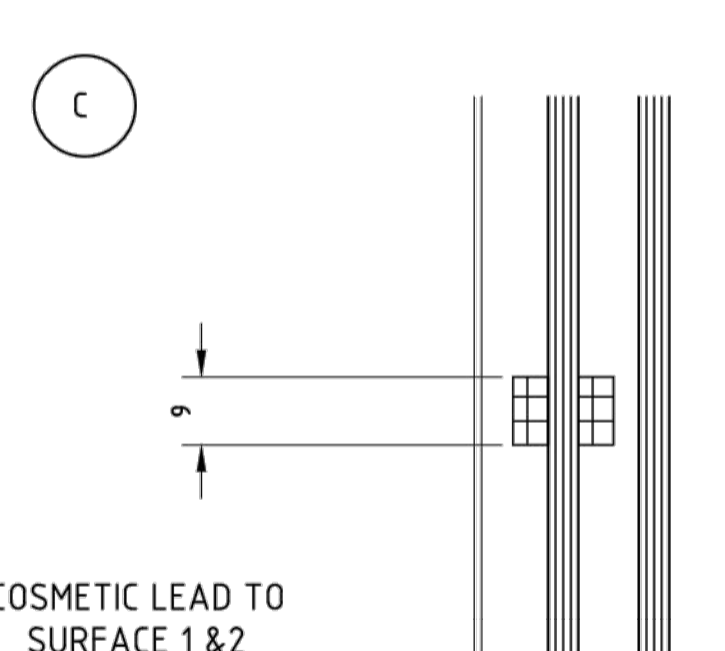
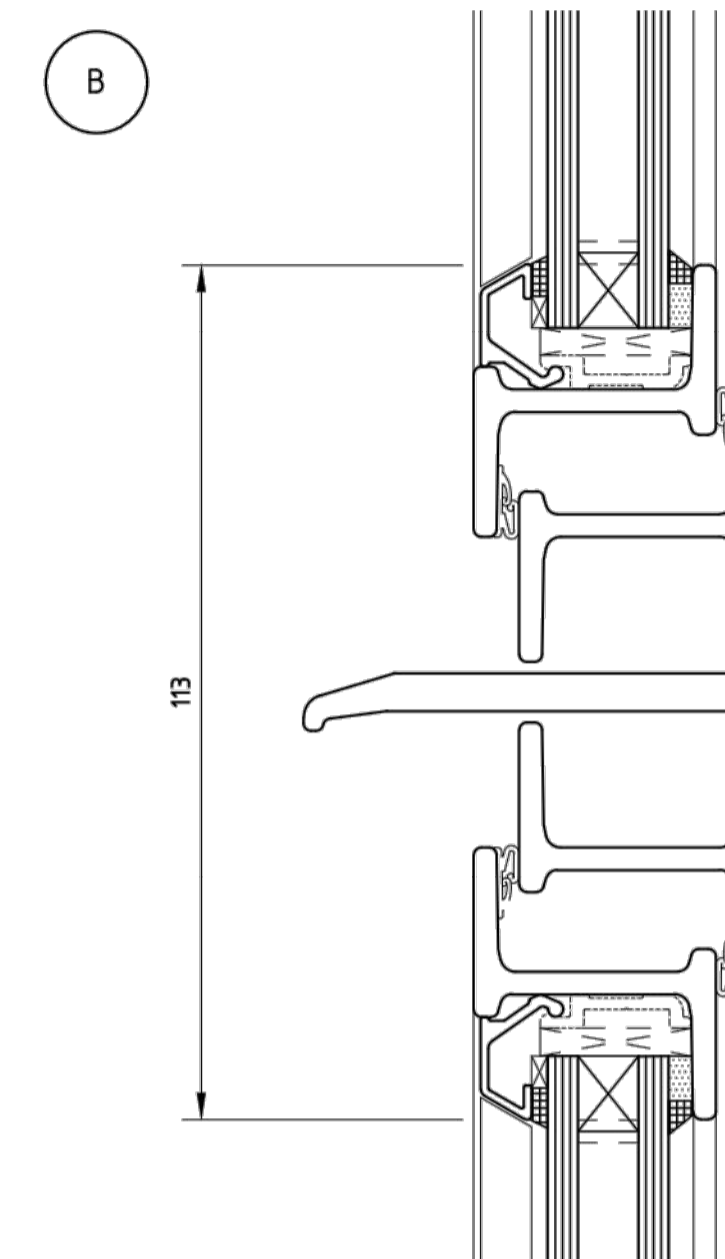
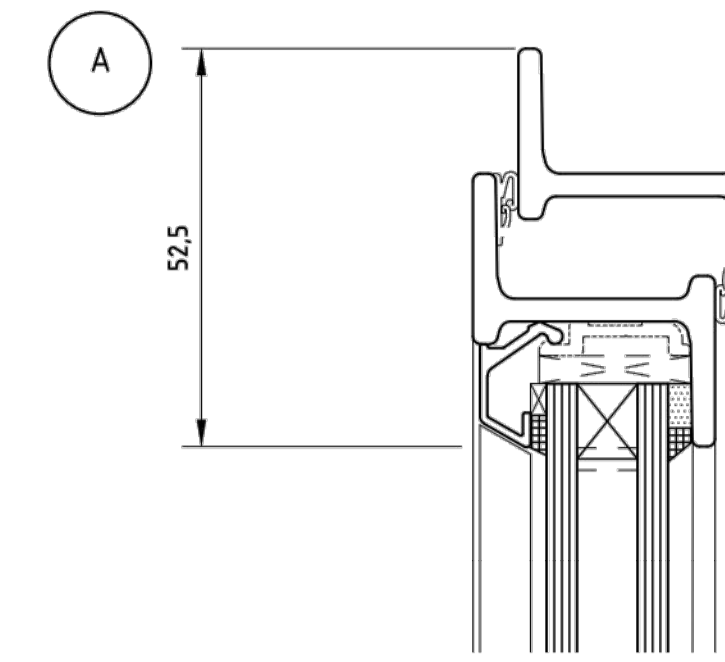
PROPOSED NEW CRITTALL HOMELIGHT PLUS



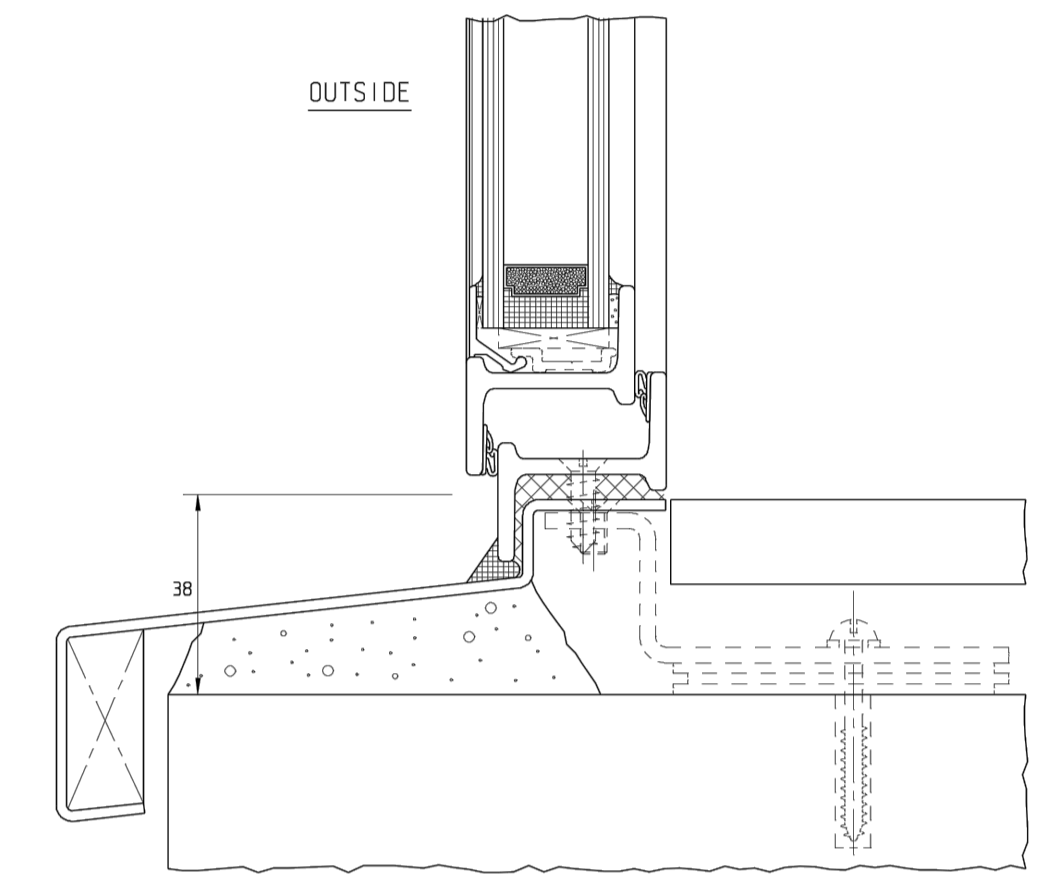
52.5



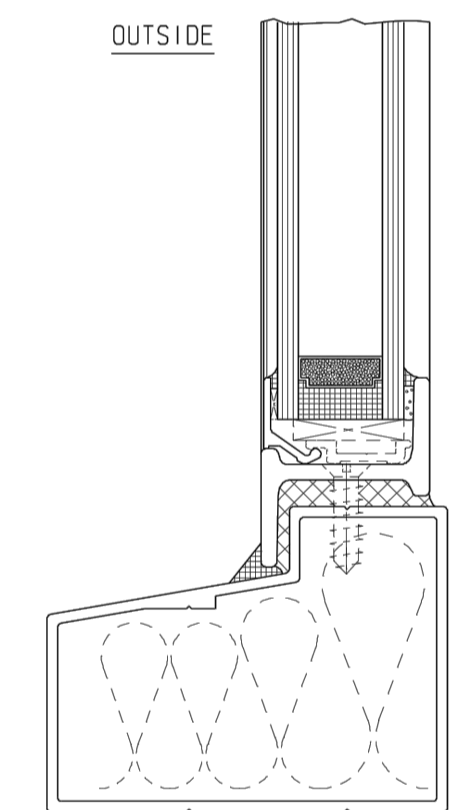
EXISTING ORIGINAL CRITTALL SMW



PROPOSED NEW CRITTALL HOMELIGHT PLUS



TYPICAL SURROUND DETAIL (STEEL SILL)



TYPICAL SURROUND DETAIL (CRITTALL REPLICA POWDER COATED EXTRUDED ALUMINIUM SUB-FRAMES)

TYPICAL SILL DETAILS

QUEEN COURT
QUEEN SQUARE
LONDON WC1N 3BA

QUEEN COURT - EXTERNAL WORKS
CRITTALL WINDOW DETAILS
LEADED LIGHT OPTION

Date 31.01.2019

Scale 1:1 AT A1

Drawing No. QC-110