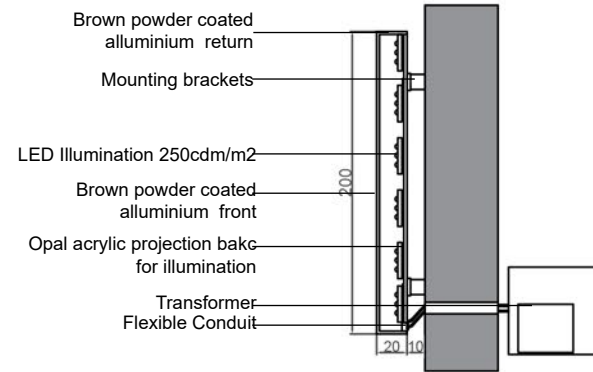




Brown powder coated aluminium lettering 200mm high (internal lettering with a brushed finish)

MAPLE ST SIGNAGE ELEVATION - SCALE 1: 20

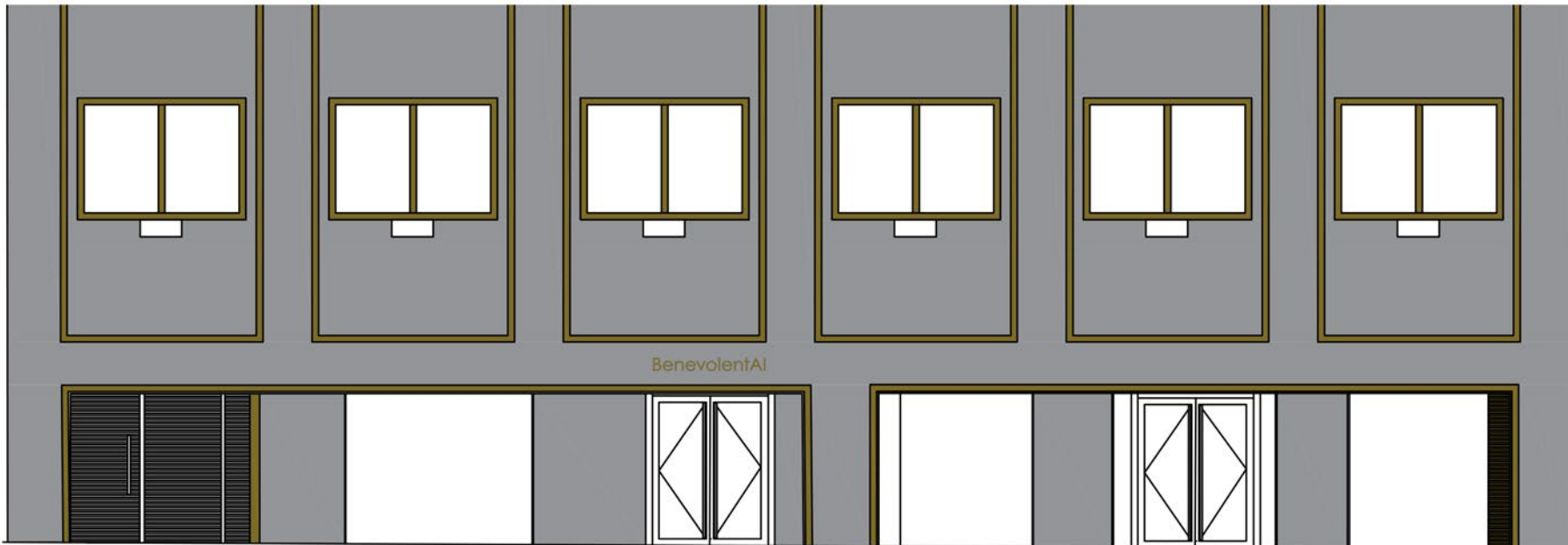


MAPLE ST SIGNAGE SECTION - SCALE 1: 5



Mounting brackets
Brown powder coated aluminium lettering 200mm high

MAPLE ST SIGNAGE PLAN - SCALE 1: 20



MAPLE ST ELEVATION - SCALE 1:100

Revisions	-
Client	BenevolentAI
Project	4 Maple St, London W1T 5HD
DWG Title	Proposed Halo Signage Detail (Detail Maple St)
Scale	Varies
<h1>BenevolentAI</h1> <p>4 Maple St, London W1T 5HD +44 2038743490 benevolent.ai</p>	
<div style="border: 1px solid black; padding: 5px; font-size: 24px; font-weight: bold;">A4</div>	