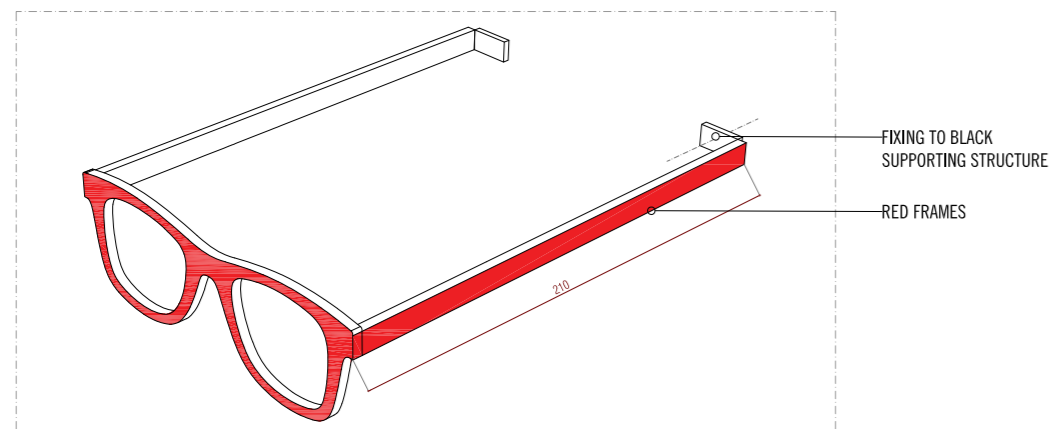
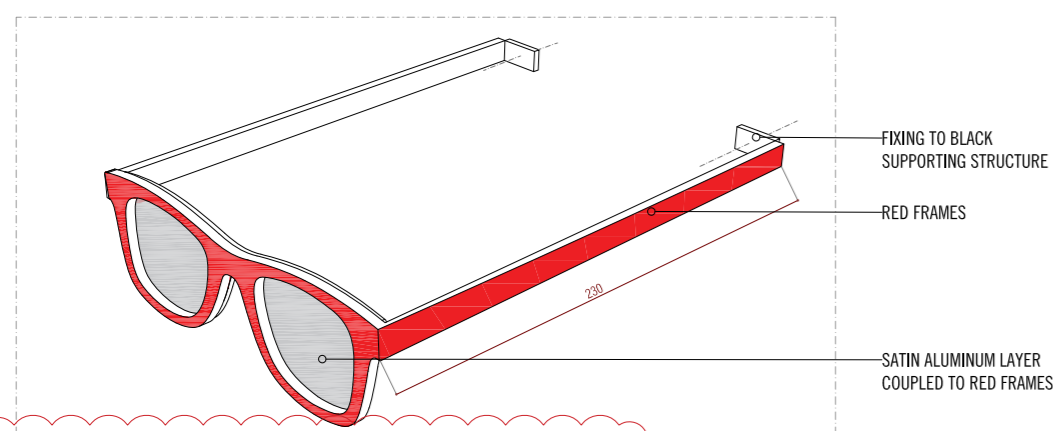


FRAMES L. 190

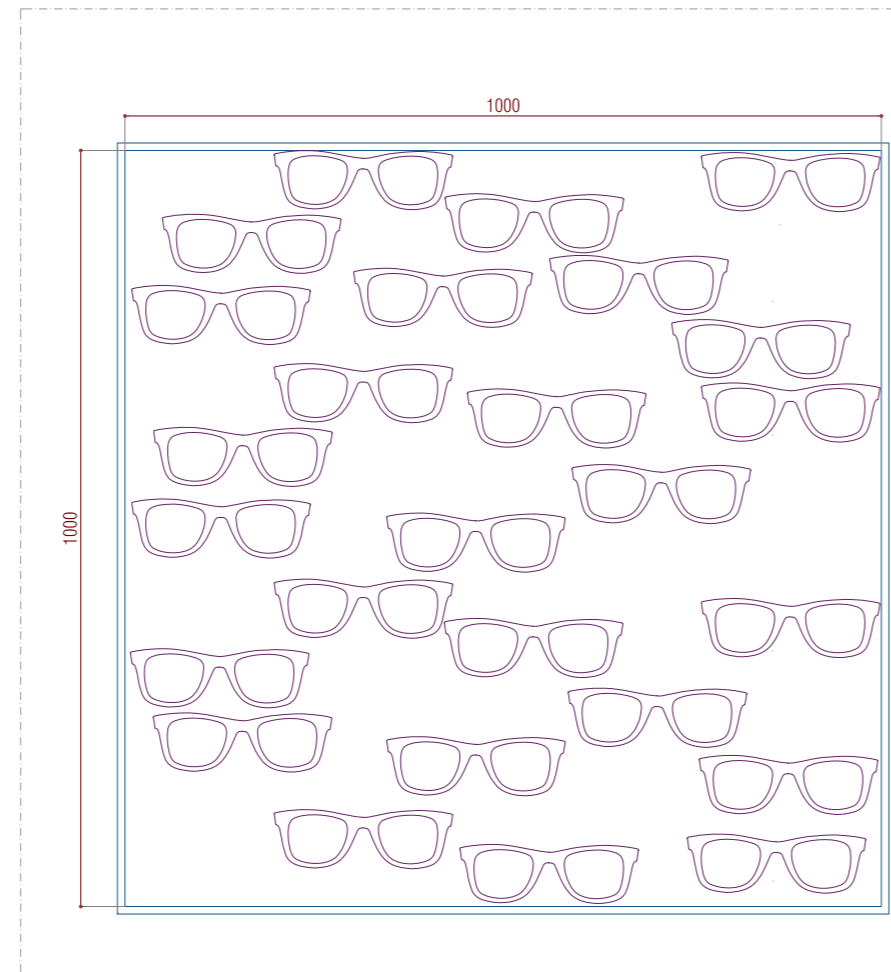


FRAMES L. 210

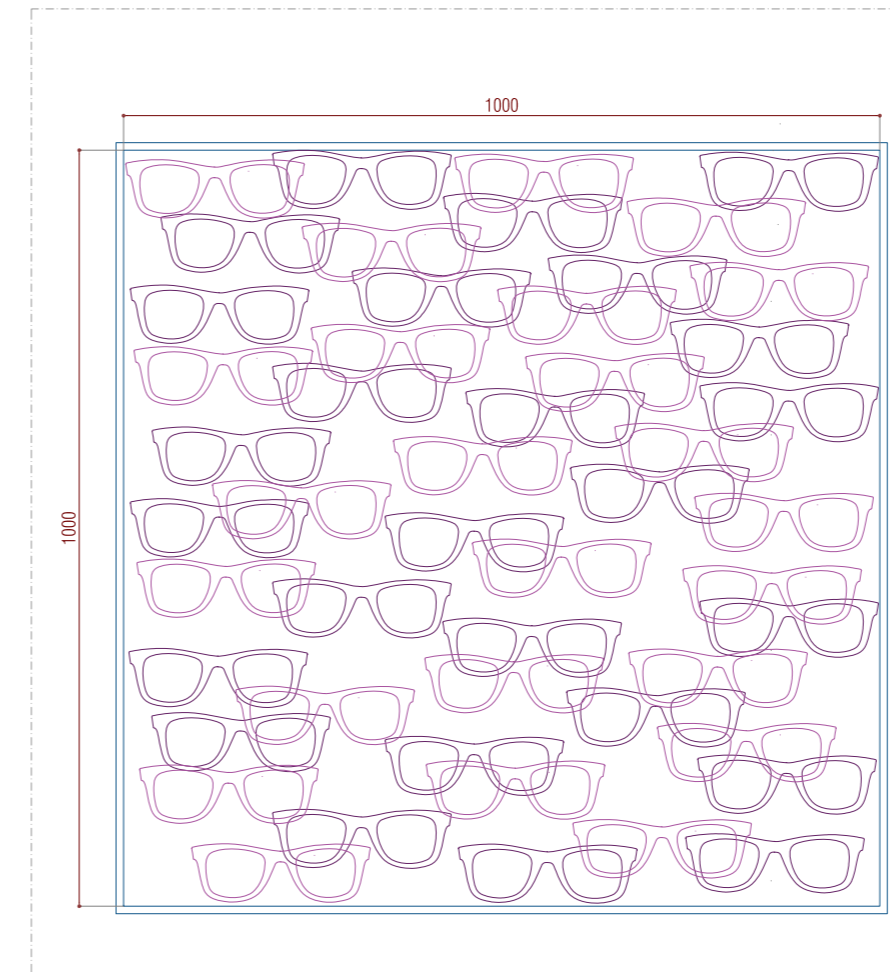


FRAMES L. 230 WITH SATIN ALUMINUM AS LENS

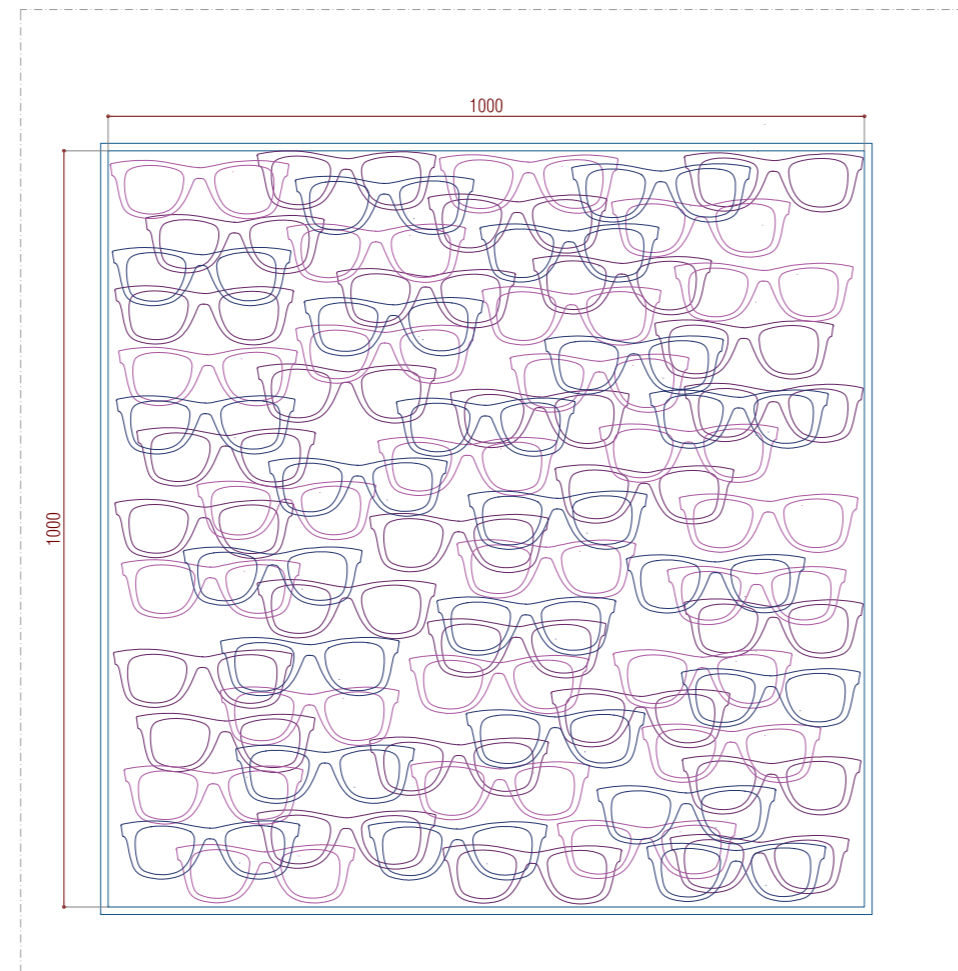
NB - ONLY L. 230MM FRAMES CAN HAVE THE SATIN LENSES



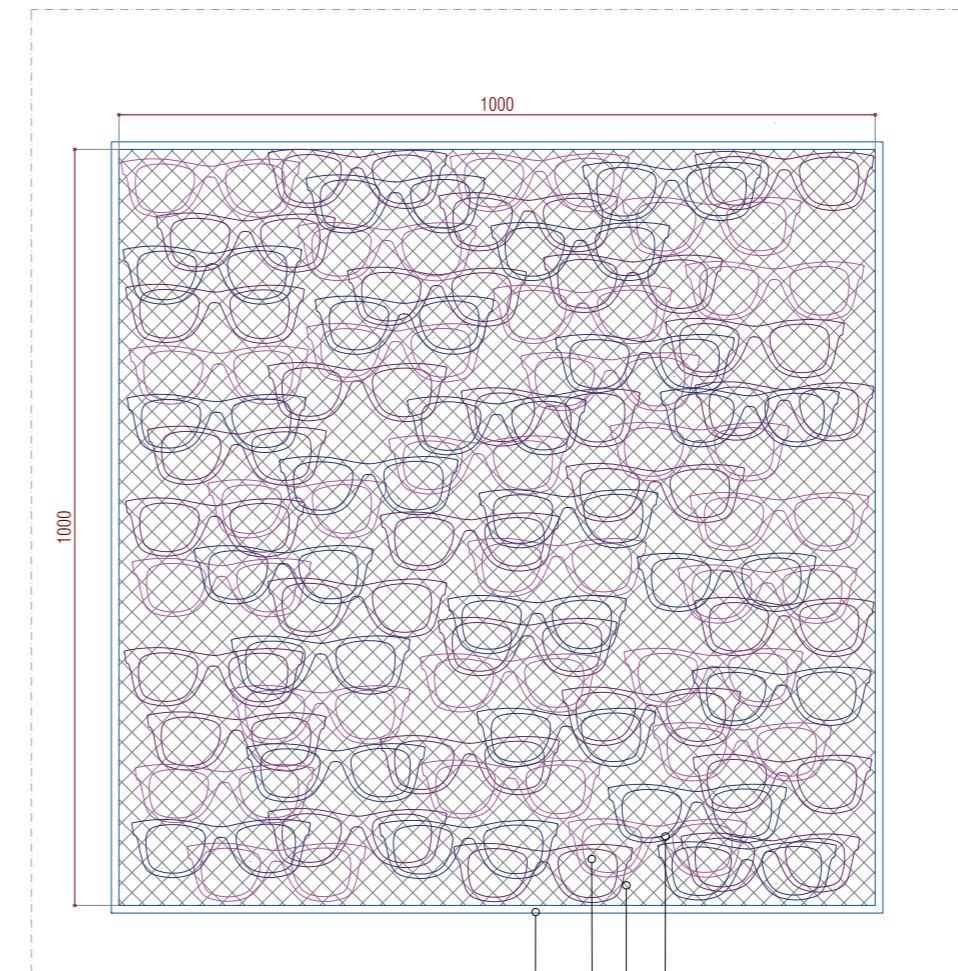
SAMPLE - FRAMES L. 190



SAMPLE - FRAMES L. 190+210



SAMPLE - FRAMES L. 190+210+230



SAMPLE w/FRONT GRID

- RED FRAME - L. 190/210/230mm
- METALLIC PANEL WITH HOLE AS SUPPORTING PLATE
- BLACK METAL GRID - MARIANTECH QUADRA Q30 30X24
- ALL SIDES - BLACK MATTE FINISH

- IMPORTANT:
- DO NOT SCALE DRAWING
  - CONTRACTOR TO CHECK ALL DIMENSIONS FROM DRAWINGS TO SITE AND NOTIFY THE ARCHITECT OF ANY DISCREPANCIES PRIOR TO FABRICATION TO ALLOW FOR MODIFICATIONS
  - DISCREPANCIES NOT BROUGHT TO THE ATTENTION OF THE ARCHITECT WILL BE THE RESPONSIBILITY OF THE RELEVANT CONTRACTOR.
  - THIS DRAWING SHOULD BE READ IN CONJUNCTION WITH ALL SPECIFICATIONS AND ALL RELEVANT DESIGN MEMORANDUMS AND SPECIALIST DRAWINGS.
  - THE CONTRACTOR MUST ADVISE ON ALL DETAILS TO ENSURE STABILITY AND STRENGTH OF CONSTRUCTION ALL MATERIALS TO BE MATCHED AND BALANCED AS APPROPRIATE.
  - THE WORKS DESCRIBED AND SPECIFIED ON THIS DRAWING AND ASSOCIATED DRAWINGS SHALL BE UNDERTAKEN IN ACCORDANCE WITH CURRENT HEALTH AND SAFETY PLAN PREPARED BY THE PLANNING SUPERVISOR FOR THE PROJECT.
  - CONTRACTOR TO NOTIFY ANY SITE CONDITIONS AFFECTING DETAIL DESIGN SUBMISSION DRAWINGS

Customer:  
Luxottica Italia  
Address:  
Piazzale Cadorna 3, Milan  
Project:  
Ray-Ban\_London\_CAMDEN  
Date:  
24/01/2019  
Drawing Title:  
FACADE  
Revision:  
n.10  
Scale:  
1:10@A2  
Designer:  
B612  
File Name:  
B612\_RB\_London\_Camden