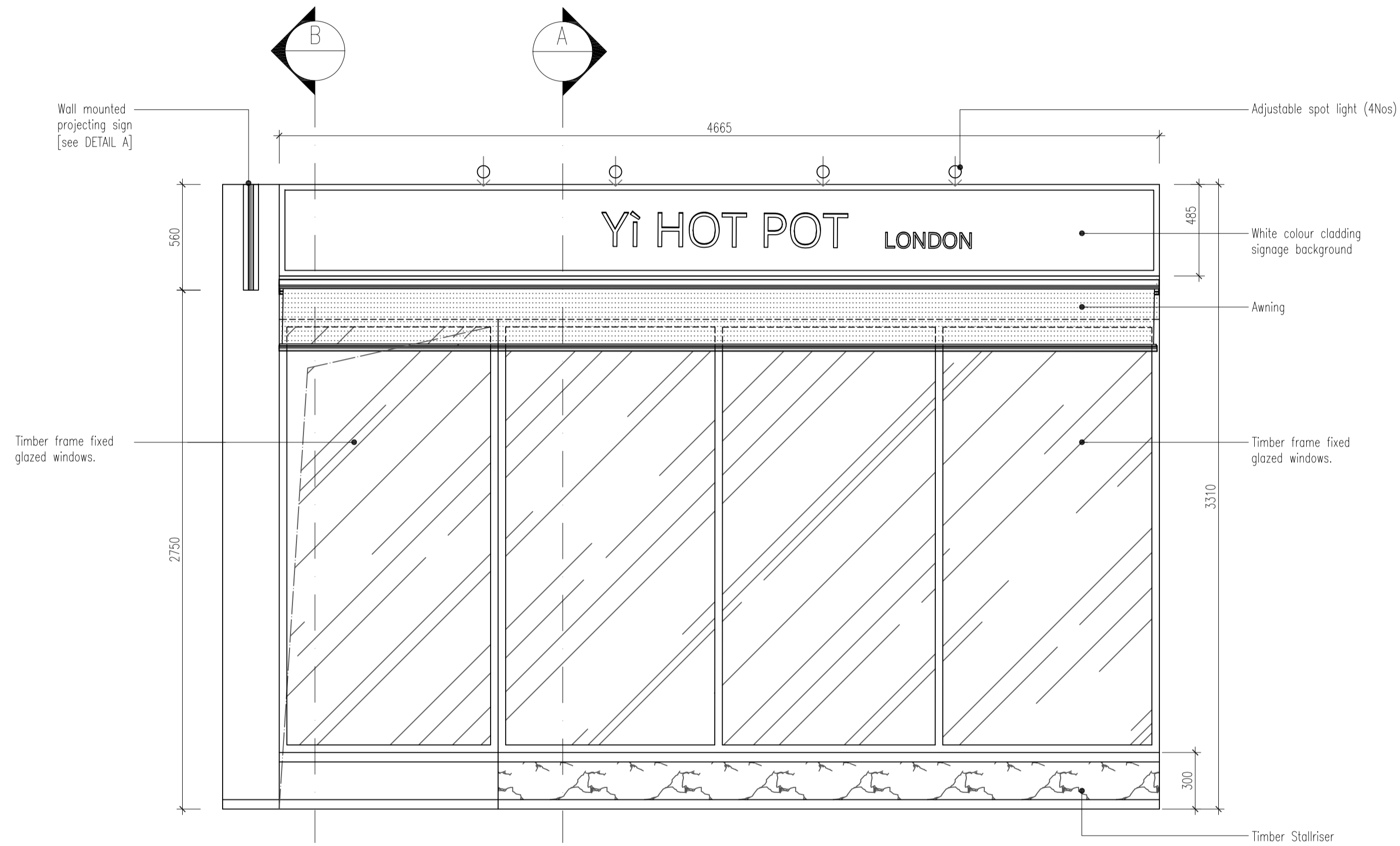
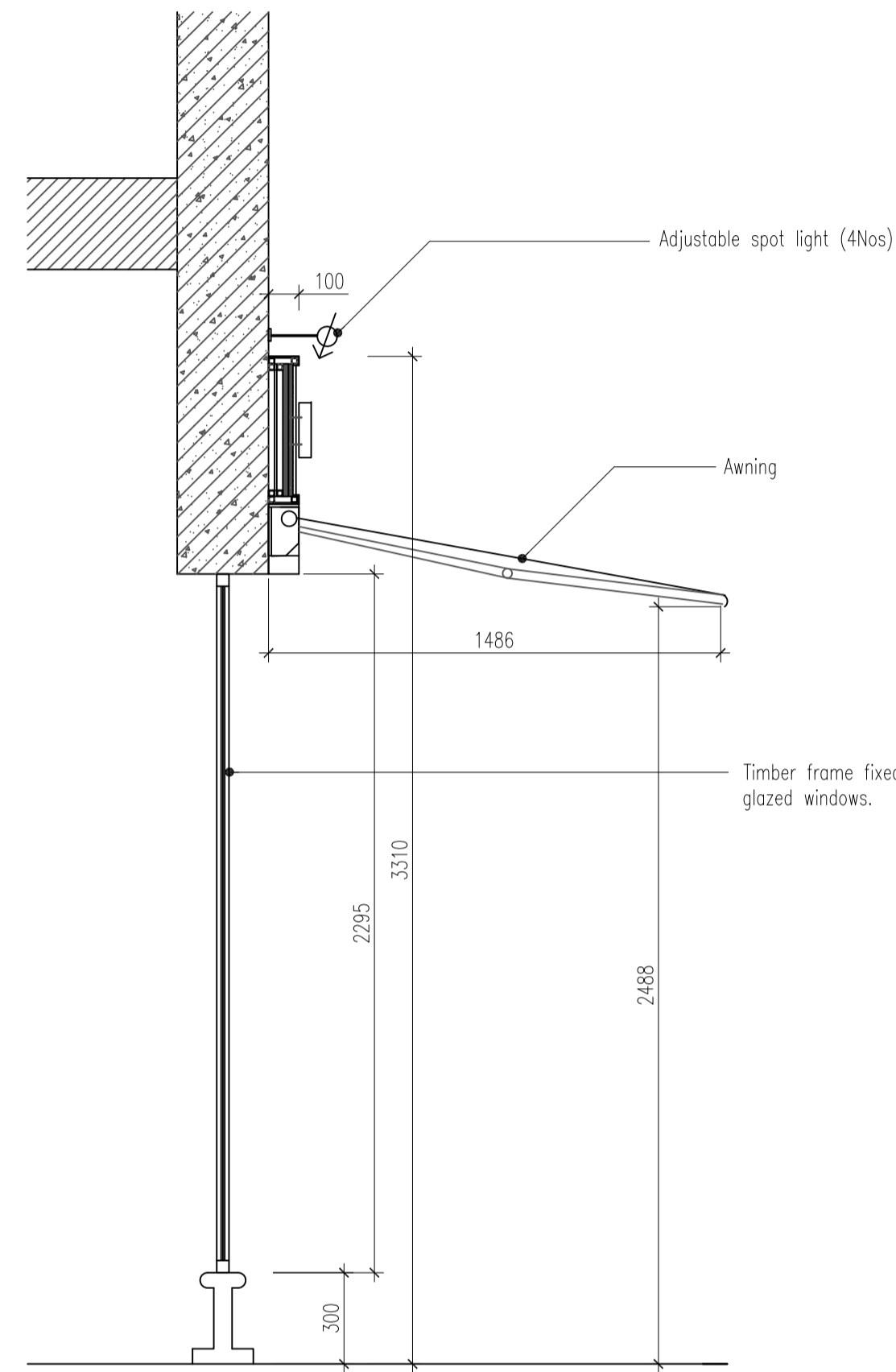


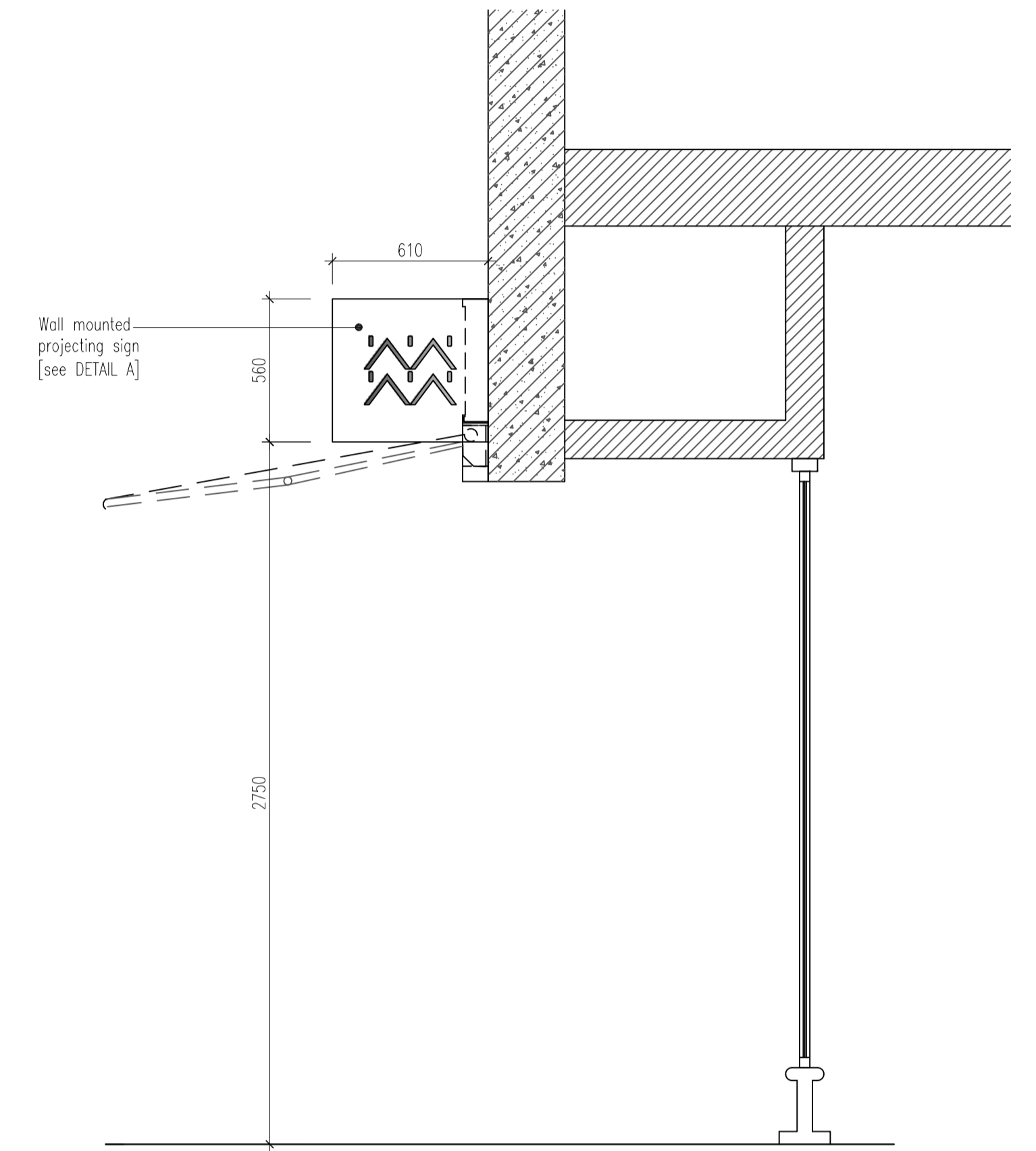
PROPOSED GROUND FLOOR PLAN
SCALE 1:50 [SHOP FRONT]



PROPOSED SHOP FRONT
SCALE 1:20



SECTION A-A
SCALE 1:20



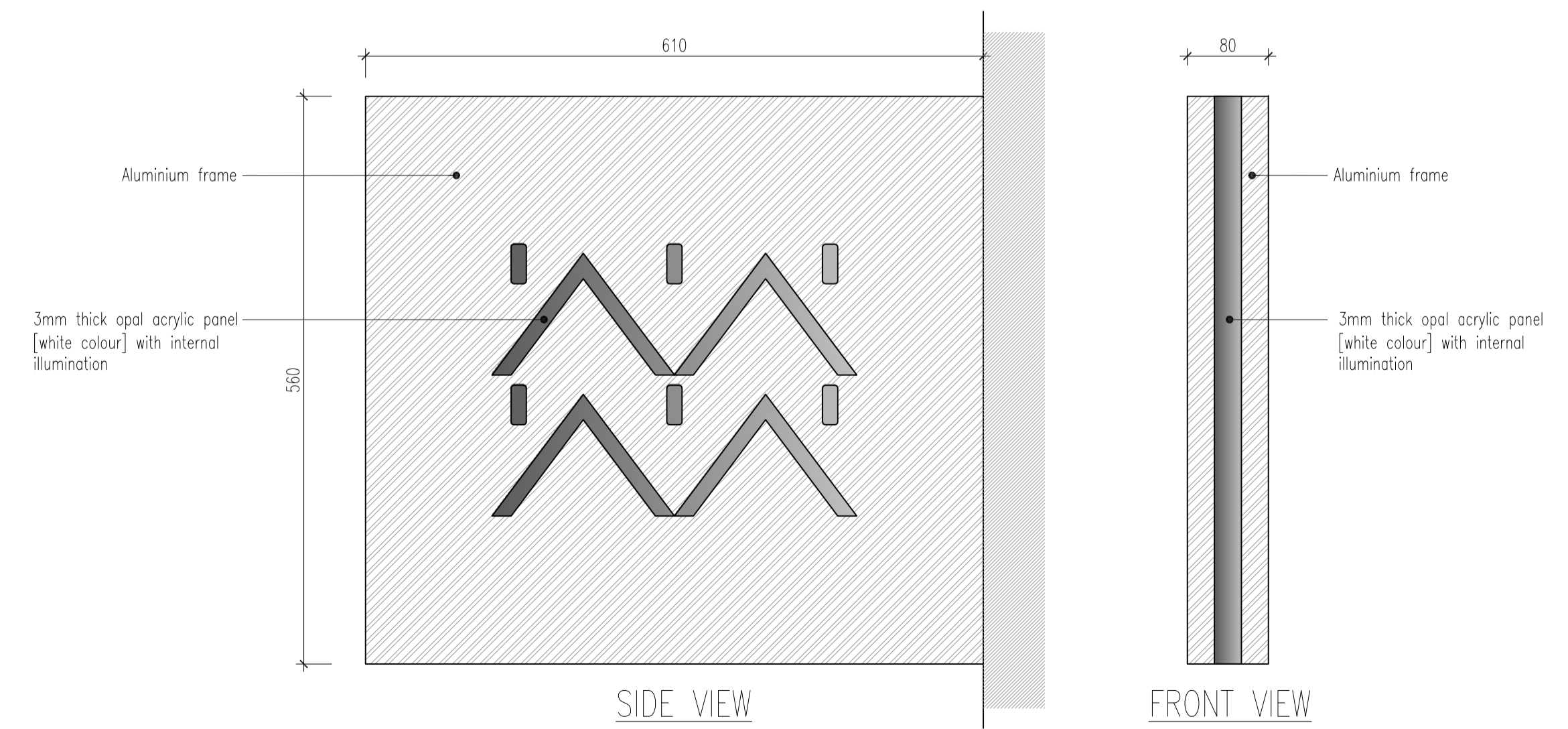
SECTION B-B
SCALE 1:20



CGI of Shopfront
[DAY TIME]



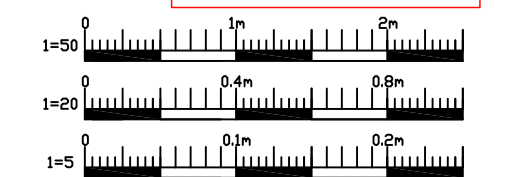
CGI of Shopfront
[NIGHT TIME]



DETAIL A

SCALE 1:5 [DOUBLE SIDED PROJECTING SIGN]

PLANNING



Drawn	Checked	Date
KW	RC	11 / 2018

Scale of 1:1
As shown

Drawn	Checked	Date
KW	RC	11 / 2018

Scale of 1:1
As shown

Drawn	Checked	Date
KW	RC	11 / 2018

Scale of 1:1
As shown

KCG Partnership Ltd
Architectural Engineering & Surveying
9 Oldlands Avenue, HERTS, AL9 7JH
e: kwor@kcgpartnership.com
t: 0775 872 482

Client: F&Y Construction
Project Name: 107 Southampton Row WC1B 4HH
Title: Proposed Shopfront

FIGURED DIMENSIONS MAY BE TAKEN FROM THIS DRAWING. ALL DIMENSIONS TO BE CHECKED AND CONFIRMED ON SITE.