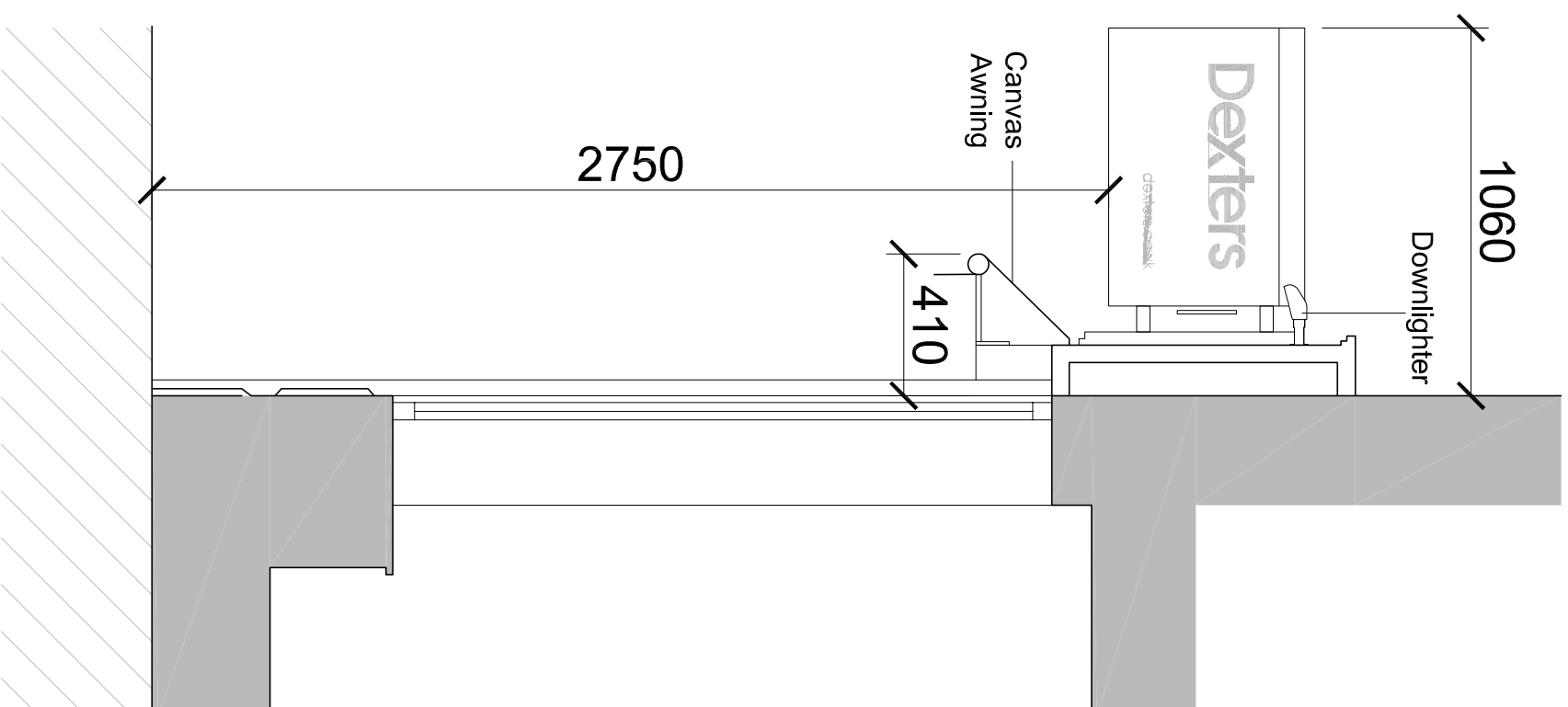


1 / Existing Section A - A



2 / Proposed Section A - A

Job Title:
Installation of a New Shopfront
 Drawing Title:
Existing and Proposed Sections

Revision Notes:

CLIENT : Dexters London Ltd
 SITE: 56 Heath Street, Hampstead,
 London, NW3 1DL

This drawing must not be reproduced in whole or part without written consent. Do not scale this drawing. Written dimensions to be checked on site. Electronic Issue to be confirmed by paper copy only.



Ideal Planning and Design Ltd,
 Hyde Park House
 5 Marlford Road,
 London, SW15 2RS
 Tel: 0208 8230750
 Web: www.idealplanningdesign.co.uk
 Email: info@idealpld.co.uk

Scale: 1:20 @ A3 Date: 14/01/2019

Drawn By: SS Checked By: CG

PROJECT	Drawing No	Rev
1465	04	-