

LOCATION PLAN 1:1250



FRESSON AND TEE

6th Floor Queens House
55-56 Lincoln's Inn Fields
LONDON WC2A 3LJ

020 7391 7100 www.fandt.com

NOTES:
ALL SCALES/DIMENSIONS TO BE CHECKED ON SITE.

A	RJS	Initial Issue	16/01/2019
REV	D.B.	Description	Date

DRAWING TITLE			
Location Plan			

PROJECT NAME			
External Lighting			

ADDRESS			
14-18 Monmouth Street LONDON, WC2H			

CLIENT			
Shaftesbury Covent Garden Ltd			

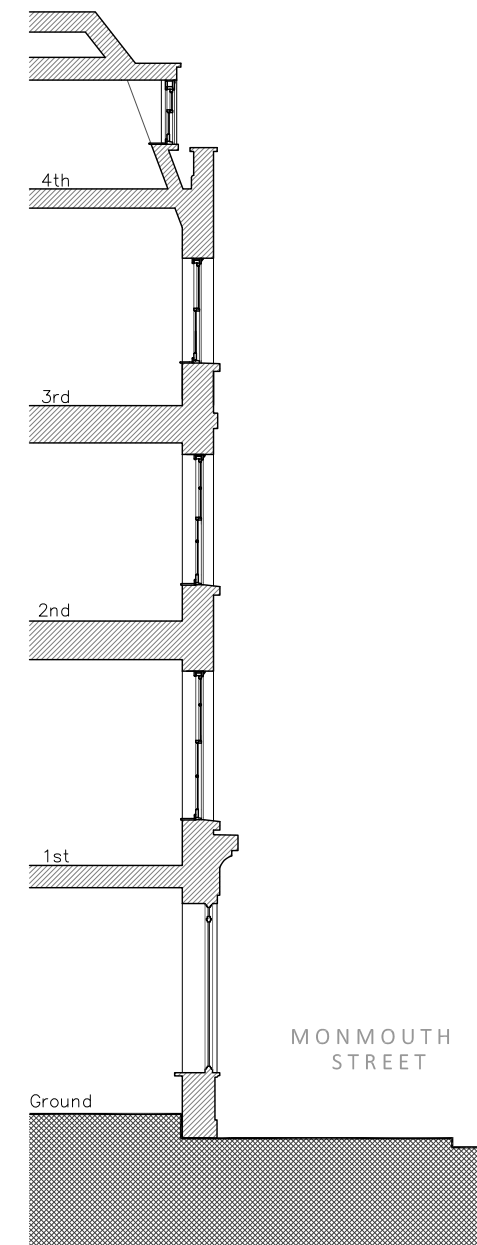
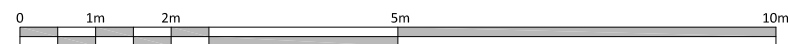
JOB NO.	DRAWING NO.	
24042-MS	E00-A	

SCALE	DATE	
1:100@A3	Jan. 2019	

DRAWN BY	CHECKED BY	
RJS	SL	



FRONT ELEVATION 1:100

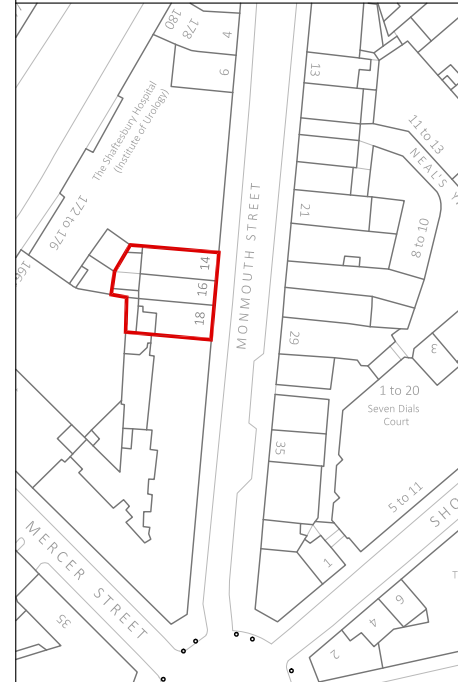


SECTION A 1:100

FRESSON AND TEE

6th Floor Queens House
55-56 Lincoln's Inn Fields
LONDON WC2A 3LJ

020 7391 7100 www.fandt.com



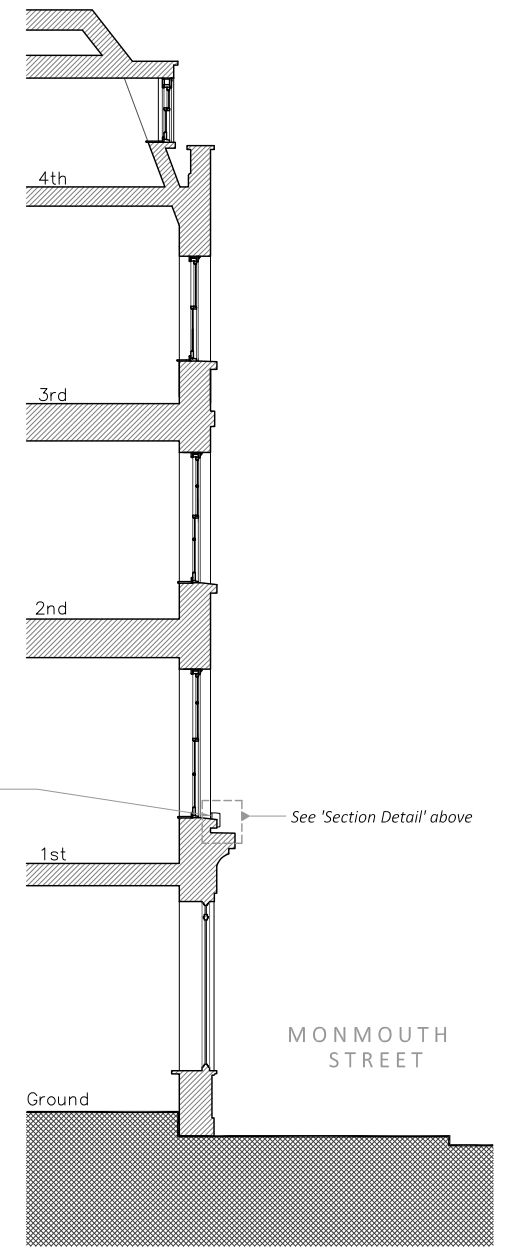
NOTES:
LOCATION PLAN @ 1:1250 and NORTH UP
ALL SCALES/DIMENSIONS TO BE CHECKED ON SITE.

A	RJS	Initial Issue	16/01/2019
REV	D.B.	Description	Date

DRAWING TITLE	
Elevation + Section A Existing	
PROJECT NAME	
External Lighting	
ADDRESS	
14-18 Monmouth Street LONDON, WC2H	
CLIENT	
Shaftesbury Covent Garden Ltd	
JOB NO.	DRAWING NO.
24042-MS	E01-A
SCALE	DATE
1:100@A3	Jan. 2019
DRAWN BY	CHECKED BY
RJS	SL



All new lights connected to landlords supply through control box in common parts. Controlled by a solar cell with a timeclock override.



4no new EW50 uplighters installed.
 -2700k colour temp -grey finish
 -15° beam angle -1446 lumens

See 'Section Detail' above

Relocate junction box to prevent from obscuring light beam

FRESSON AND TEE

6th Floor Queens House
 55-56 Lincoln's Inn Fields
 LONDON WC2A 3LJ

020 7391 7100 www.fandt.com

NOTES:
 LOCATION PLAN @ 1:1250 and NORTH UP
 ALL SCALES/DIMENSIONS TO BE CHECKED ON SITE.

A	RJS	Initial Issue	22/01/2019
REV	D.B.	Description	Date

DRAWING TITLE
 Elevation + Section A
 Proposed

PROJECT NAME
 External Lighting

ADDRESS
 14-18 Monmouth Street
 LONDON, WC2H

CLIENT
 Shaftesbury Covent Garden Ltd

JOB NO. 24042-MS	DRAWING NO. P01-A
SCALE 1:100@A3	DATE Jan. 2019
DRAWN BY RJS	CHECKED BY SL