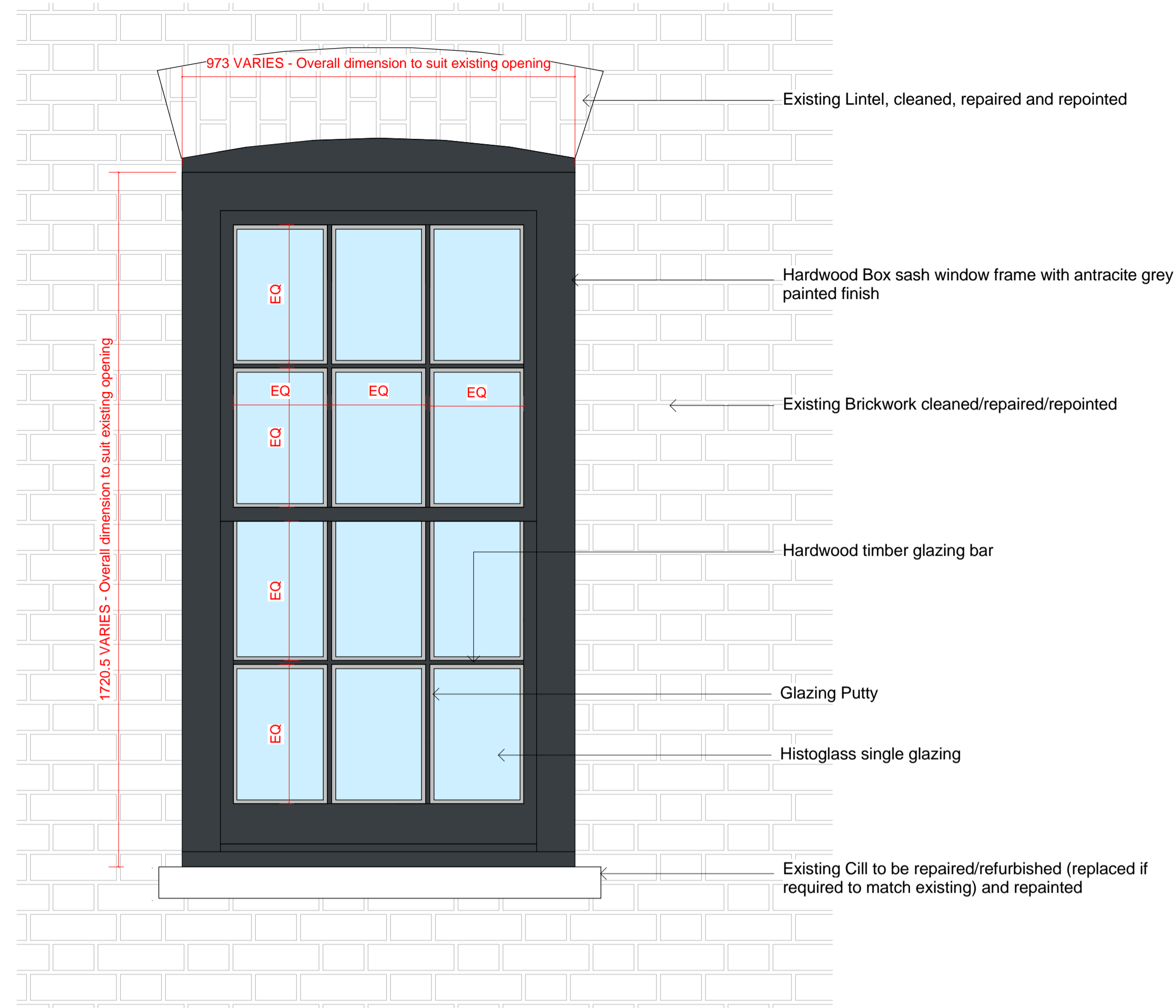
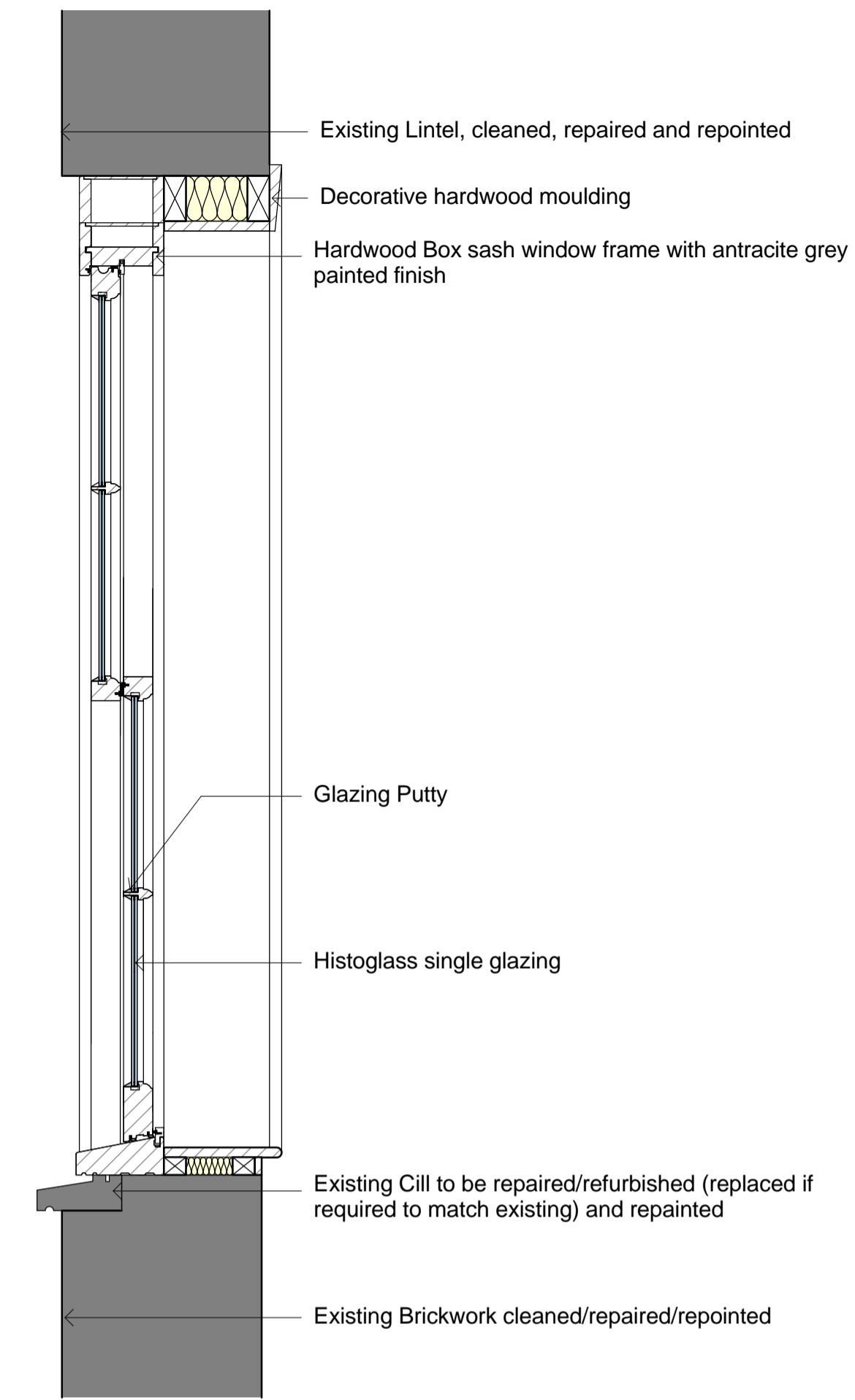


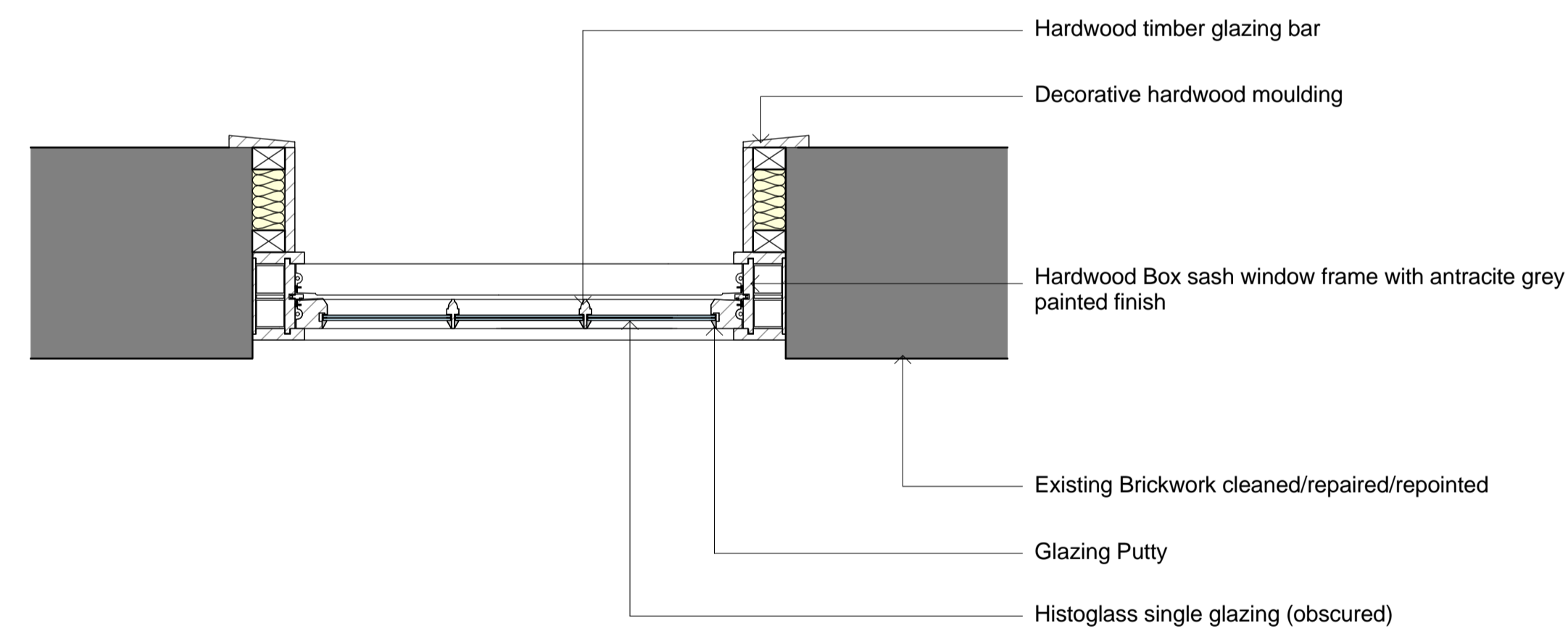
1 26 Denmark Street South Elevation Window Reference
Scale: 1 : 50



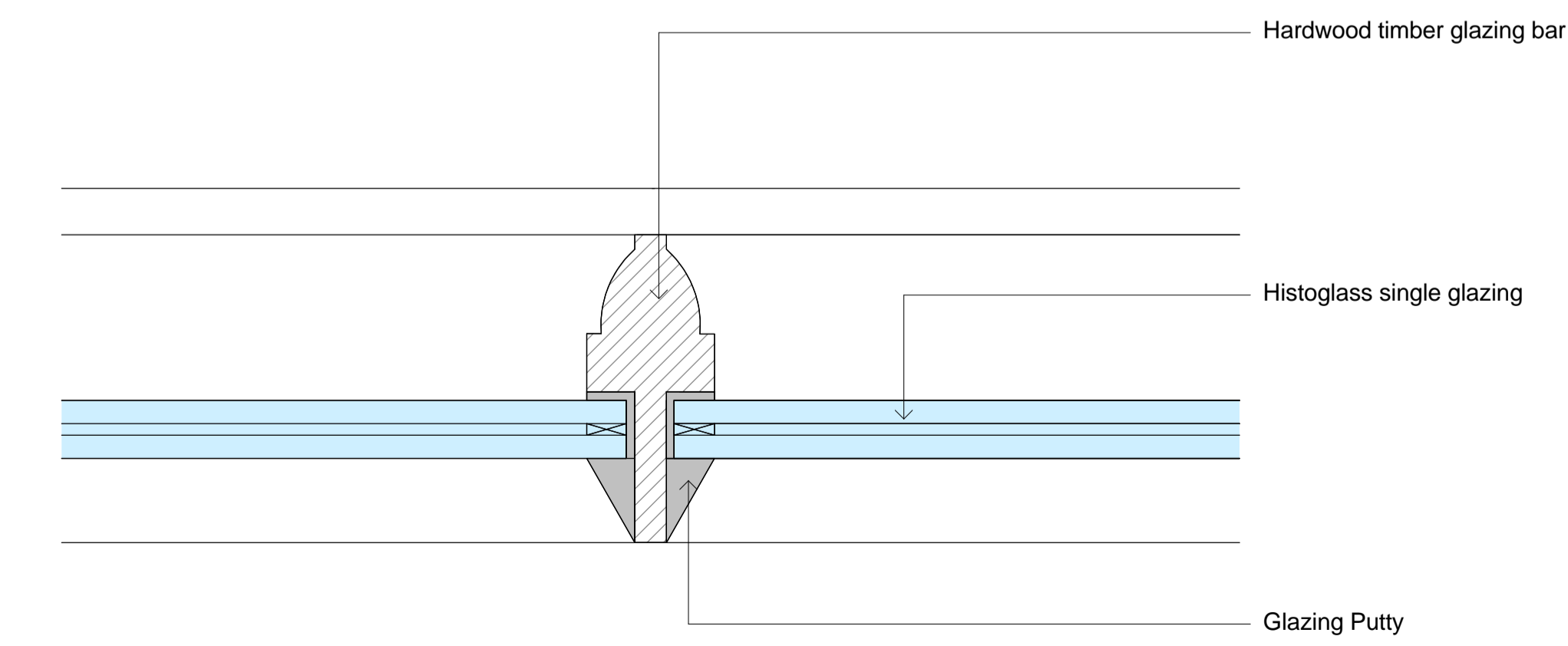
2 26 Denmark Street Type O Window Elevation
Scale: 1 : 10



5 26 Denmark Street Type O Window Section
Scale: 1 : 10

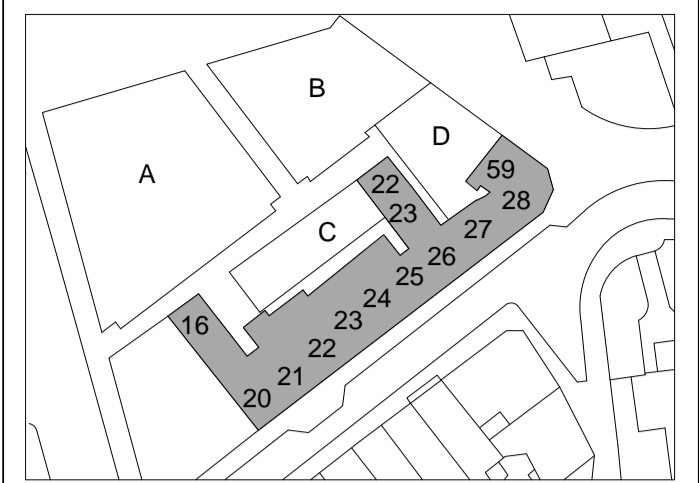


3 26 Denmark Street Type O Window Plan
Scale: 1 : 10



4 26 Denmark Street Type O Window Glazing Bar
Scale: 1 : 1

Key Plan:



CDM:



Refer to the Risk Register for more information.

Project: **St Giles Circus**

Project Number: **1793**

Drawing Title:
26 Denmark Street Proposed Window Details

Drawing No.
1793_2_PL(26)22

Scale@A1:**As indicated**

Issued for: **S2 - INFORMATION**

Revision:
P01 06.11.18 Issued for Information

Orms

1 Oliver's Yard
55-71 City Road
London
EC1Y 1HQ
0207 833 8533
orms@orms.co.uk
orms.co.uk

Do not scale. All dimensions to be confirmed on site. Information contained in this drawing is the sole copyright of Orms designers + architects ltd and is not to be reproduced without permission.