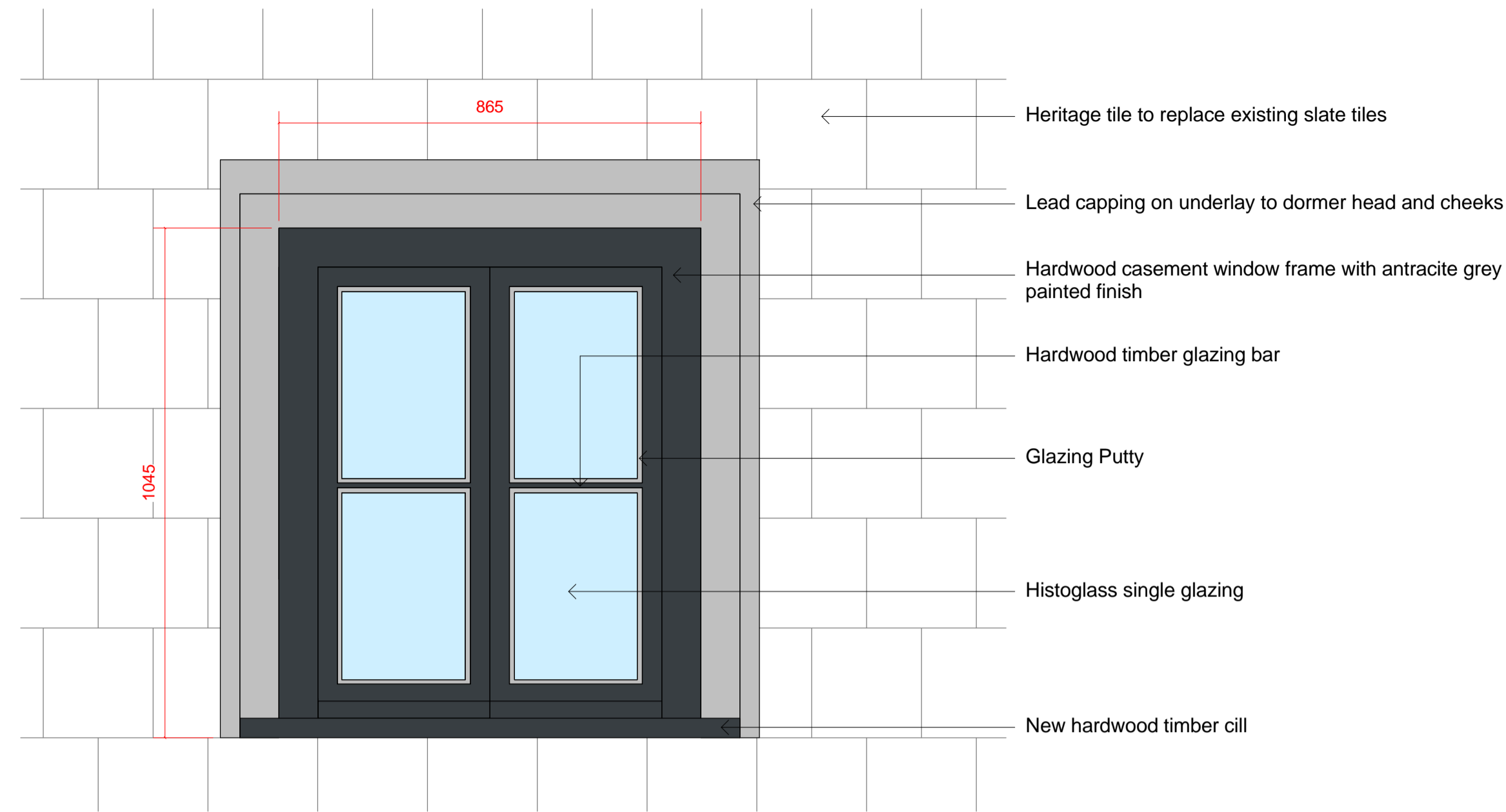
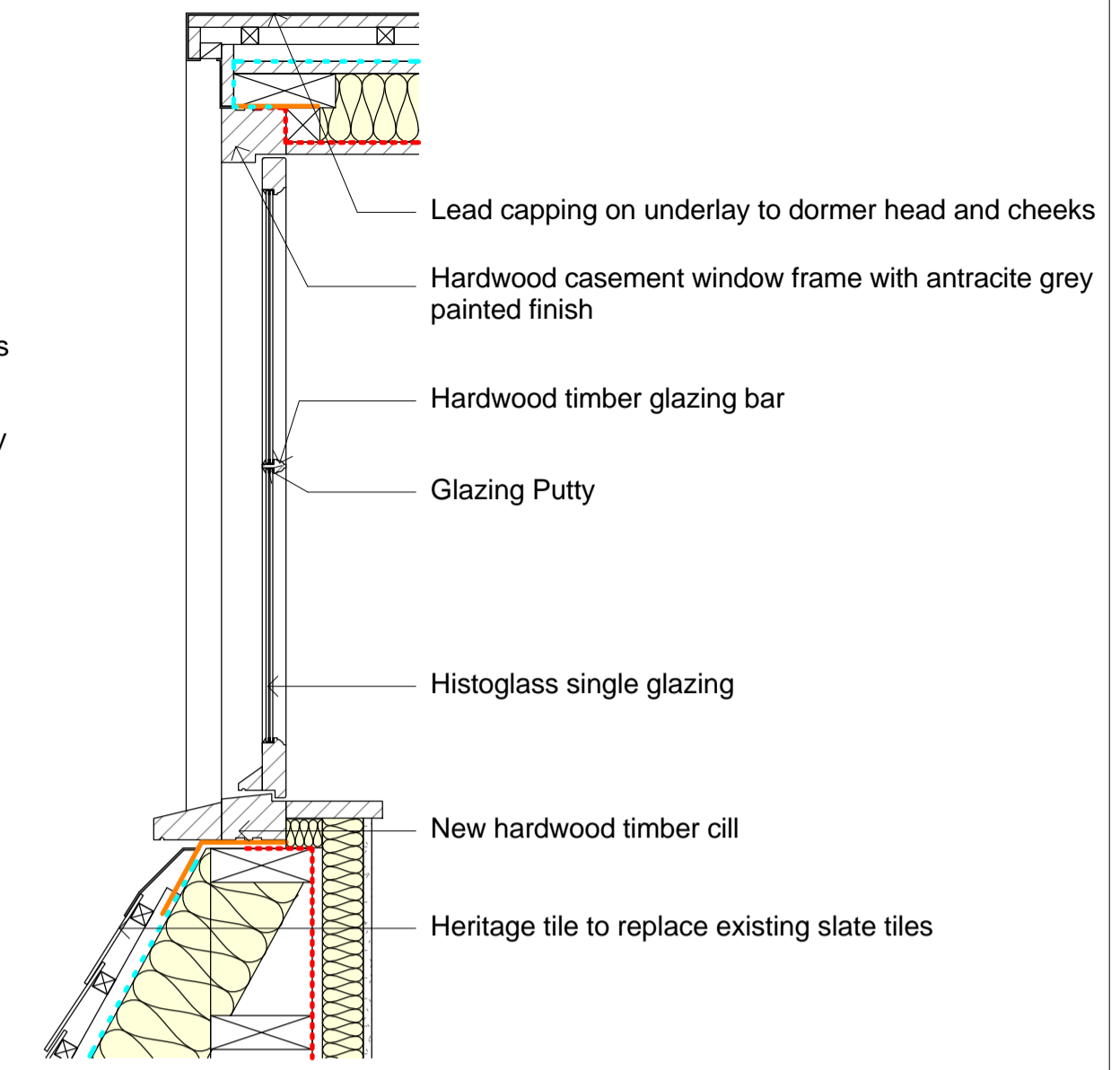




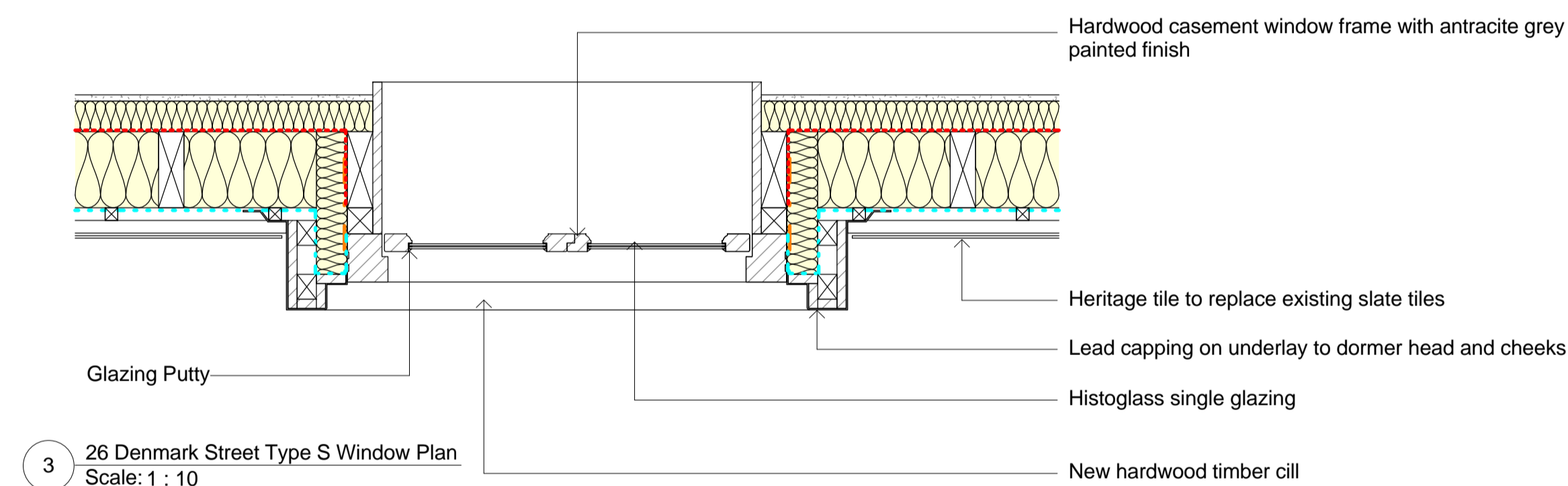
1 26 Denmark Street North Elevation Window Reference 1  
Scale: 1 : 50



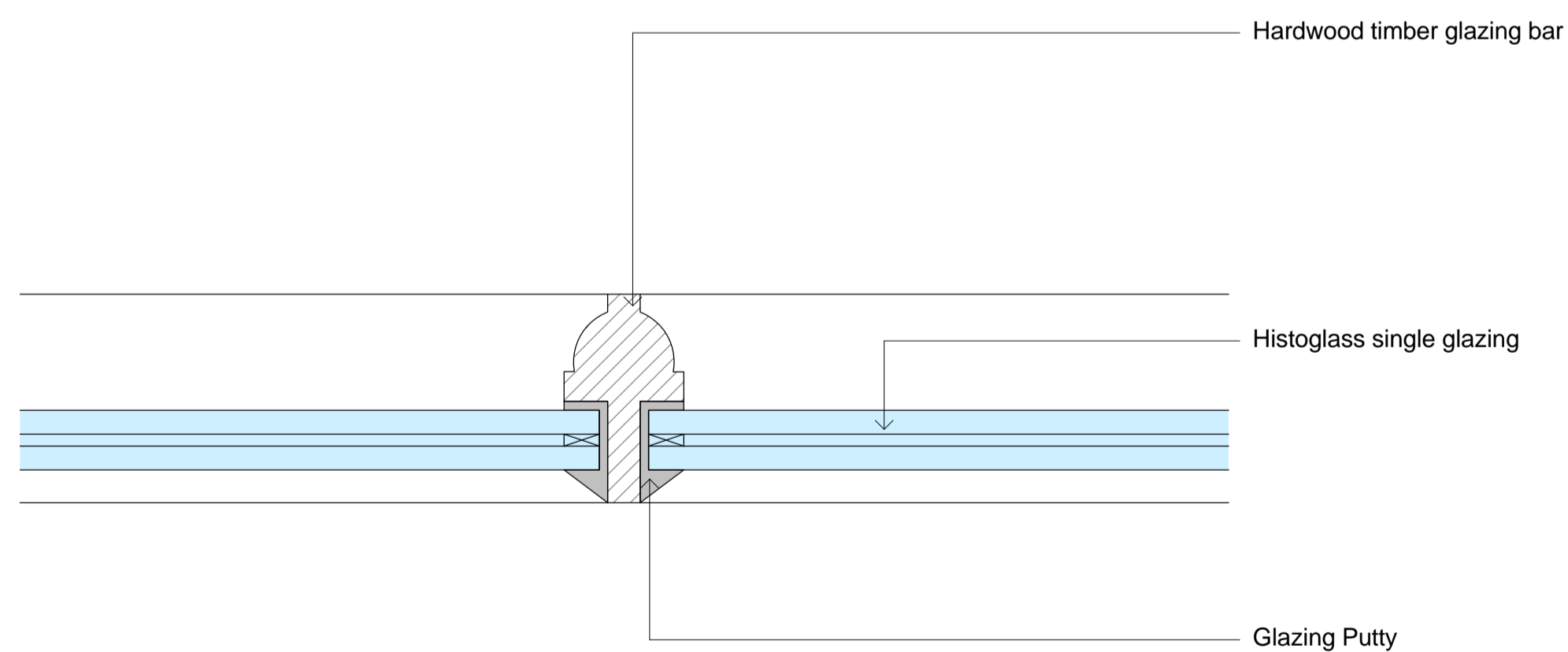
2 26 Denmark Street Type S Window Elevation  
Scale: 1 : 10



5 26 Denmark Street Type S Window Section  
Scale: 1 : 10

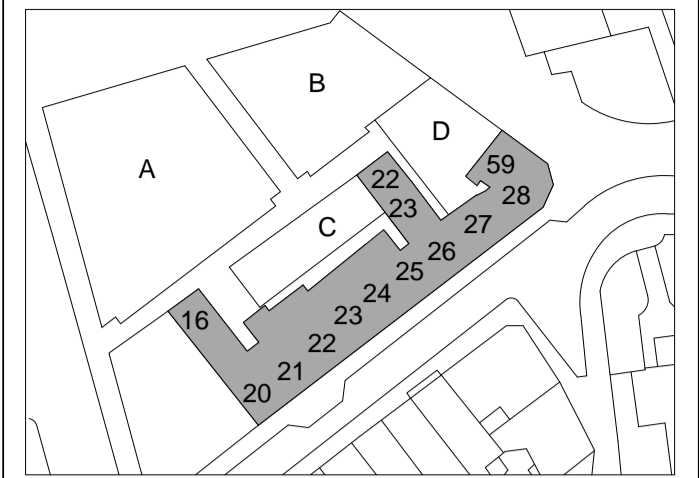


3 26 Denmark Street Type S Window Plan  
Scale: 1 : 10



4 26 Denmark Street Type S Window Glazing Bar  
Scale: 1 : 1

Key Plan:



CDM:



Refer to the Risk Register for more information.

Project: **St Giles Circus**

Project Number: **1793**

Drawing Title:  
**26 Denmark Street Proposed Window Details**

Drawing No.  
**1793\_2\_PL(26)21**

Scale@A1:**As indicated**

Issued for: **S2 - INFORMATION**

Revision:  
**P01 06.11.18 Issued for Information**

**Orms**

1 Oliver's Yard  
55-71 City Road  
London  
EC1Y 1HQ  
0207 833 8533  
orms@orms.co.uk  
orms.co.uk

Do not scale. All dimensions to be confirmed on site. Information contained in this drawing is the sole copyright of Orms designers + architects ltd and is not to be reproduced without permission.