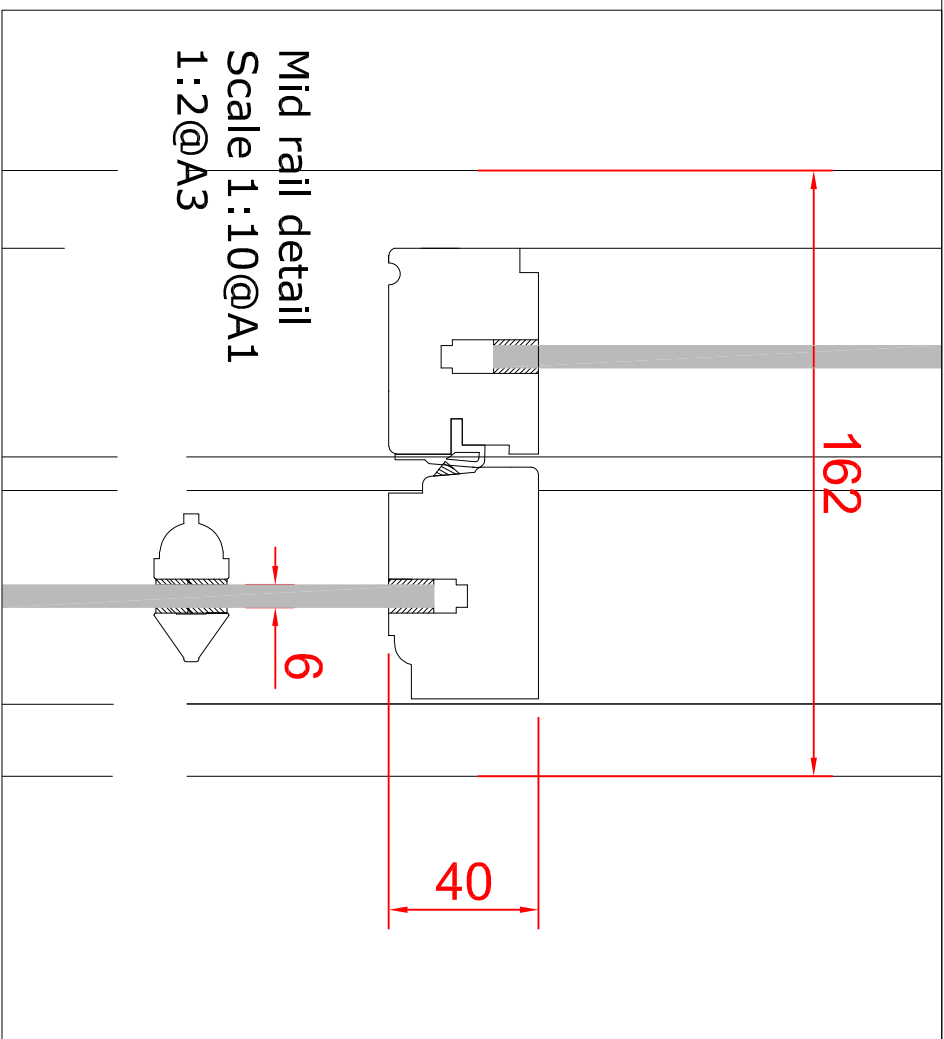
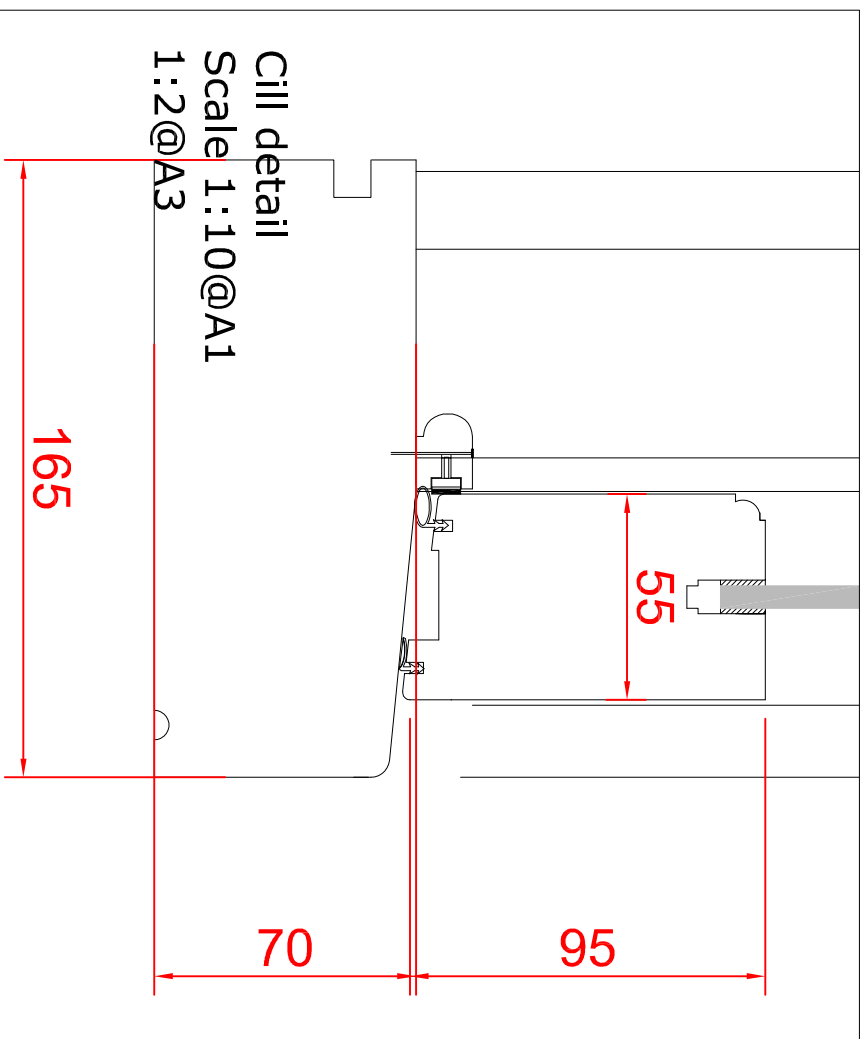


Elevation 1:10@A1 (1:20@A3)



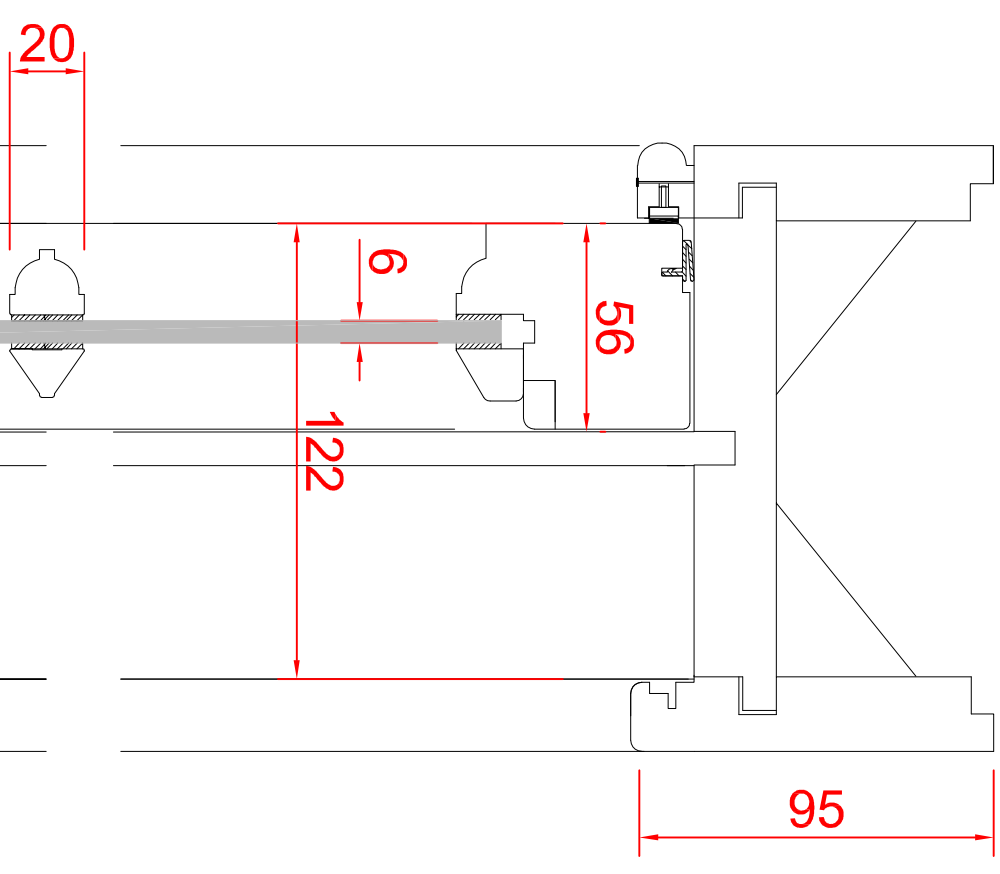
Mid rail detail
Scale 1:10@A1
1:2@A3



Cill detail
Scale 1:10@A1
1:2@A3

41 Arlington Road, Rear replacement ground floor window - elevation / details

Head detail
Scale 1:10@A1
1:2@A3



Issue planning

ad design concepts

planning - architecture - interiors

Project 41 Arlington Road NW1

Drawing Title: Rear replacement ground floor window - elevation / details

Drawing Number: 69-610

Revision: B

Date: October 2018

Scale: QS shown

AD Design Concepts Ltd - 25 Gropplam Gardens, London NW2 1JH - www.addconceptsltd.co.uk - tel: 02082070343 - fax: 02084551424 - e-mail: info@addconceptsltd.co.uk