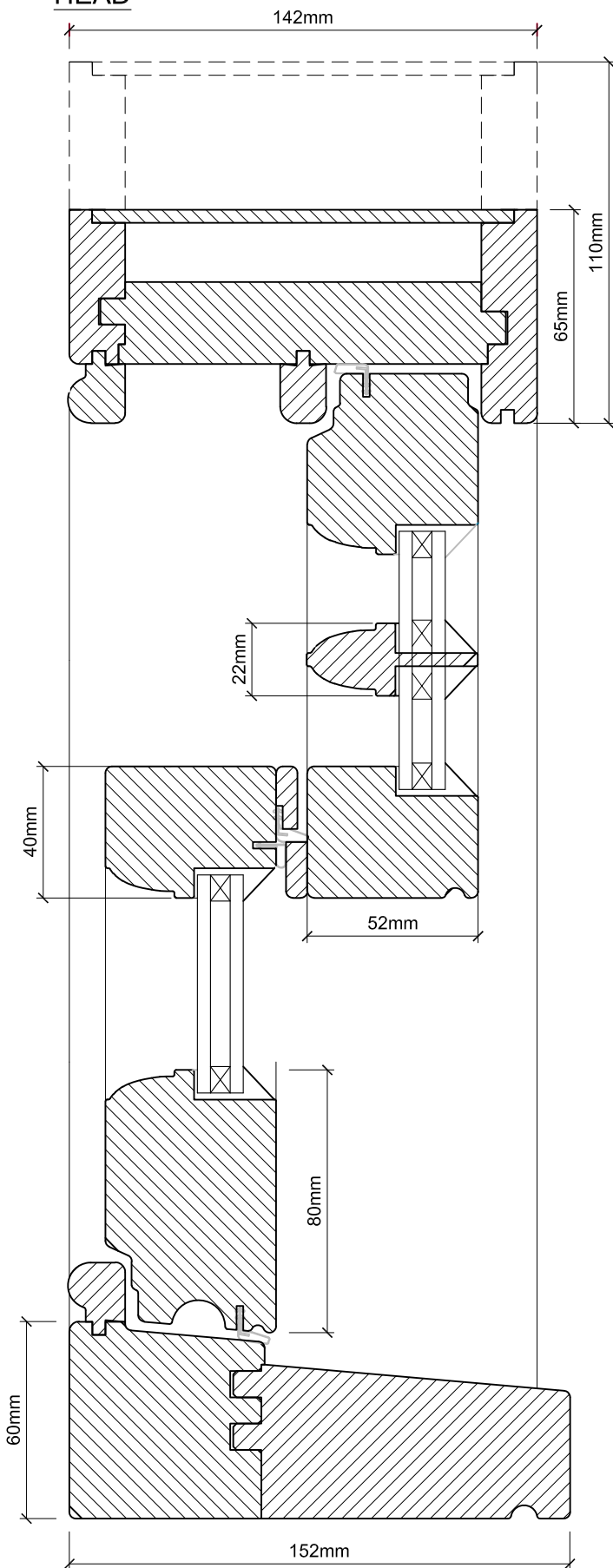


HEAD



TYPICAL SECTION DETAIL
Proposed

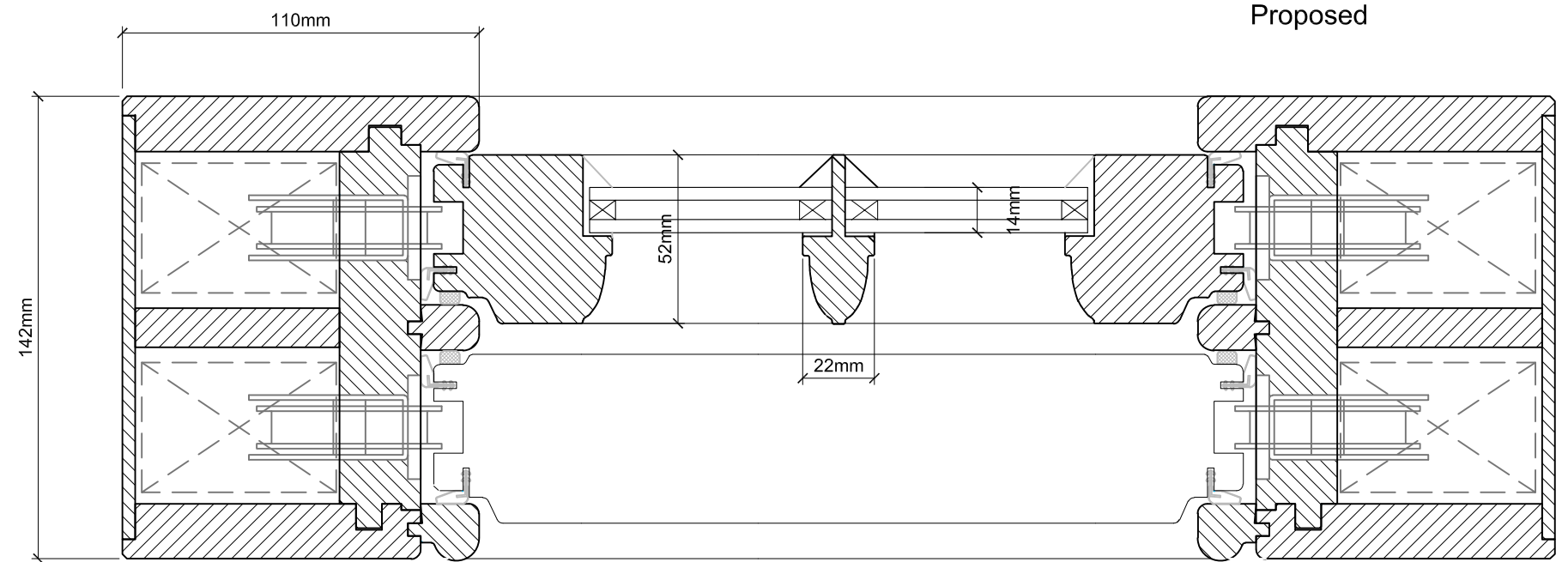


NOTES

1. ALL DIMENSIONS TO BE CHECKED ON SITE BY CONTRACTOR AND SUBCONTRACTORS PRIOR FABRICATION
2. CONTRACTOR TO REFER TO ENGINEER'S DRAWINGS BEFORE PROCEEDING WITH WORKS
3. THESE DRAWINGS ARE SUBJECT TO ANY VARIATION REQUIRED BY THE LOCAL AUTHORITY
4. WORKS MUST COMPLY WITH RELEVANT BRITISH STANDARDS AND BUILDING CONTROL REGULATIONS

COPYRIGHT GAIA BIANCHI ARCHITECT.

TYPICAL PLAN DETAIL
Proposed



REVISIONS

Planning Issue

GAIA BIANCHI ARCHITECT

47 BELMONT ROAD - LONDON N15 3LU

tel 07939 507890

project: 23 DALEHAM MEWS - LONDON NW3 5DB
drawing: PROPOSED WINDOWS - TYPICAL DETAILS

date: Nov 2018 scale: 1:2 @ A3 dwg no: 23DM/P501