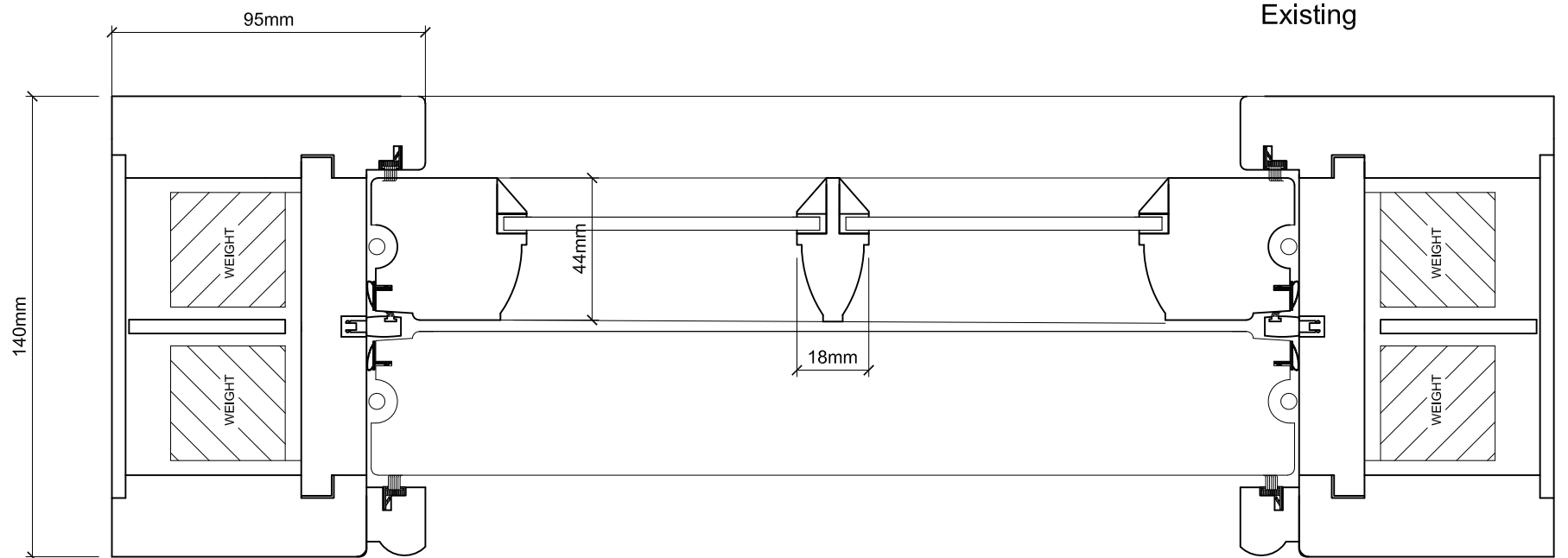


TYPICAL SECTION DETAIL  
Existing



TYPICAL PLAN DETAIL  
Existing

NOTES

1. ALL DIMENSIONS TO BE CHECKED ON SITE BY CONTRACTOR AND SUBCONTRACTORS PRIOR FABRICATION
2. CONTRACTOR TO REFER TO ENGINEER'S DRAWINGS BEFORE PROCEEDING WITH WORKS
3. THESE DRAWINGS ARE SUBJECT TO ANY VARIATION REQUIRED BY THE LOCAL AUTHORITY
4. WORKS MUST COMPLY WITH RELEVANT BRITISH STANDARDS AND BUILDING CONTROL REGULATIONS

COPYRIGHT GAIA BIANCHI ARCHITECT.

REVISIONS

Planning Issue

GAIA BIANCHI ARCHITECT

47 BELMONT ROAD - LONDON N15 3LU

tel 07939 507890

project: 23 DALEHAM MEWS - LONDON NW3 5DB  
drawing: EXISTING WINDOWS - TYPICAL DETAILS

date: Nov 2018 scale: 1:2 @ A3 dwg no: 23DM/S501