

Air Conditioning
Technical Data

4MXM-N



TABLE OF CONTENTS

4MXM-N

1	Features	2
2	Specifications	3
	Technical Specifications	3
	Electrical Specifications	4
3	Electrical data	5
4	Combination table	6
5	Dimensional drawings	27
6	Centre of gravity	30
7	Piping diagrams	32
8	Wiring diagrams	33
	Wiring Diagrams - Single Phase	33
9	Sound data	34
	Sound Pressure Spectrum	34
10	Operation range	35

1 Features

- Seasonal efficiency values up to A+++ in cooling and A++ in heating thanks to its up-to-date technology and built-in intelligence
- Up to 4 indoor units can be connected to 1 multi outdoor unit; all indoor units are individually controllable and do not need to be installed in the same room or at the same time. They operate simultaneously within the same heating or cooling mode.
- Choosing for an R-32 product, reduces the environmental impact with 68% compared to R-410A and leads directly to lower energy consumption thanks to its high energy efficiency
- Different types of indoor units can be connected: e.g. wall mounted, ceiling mounted cassette corner, concealed ceiling unit
- Outdoor units are fitted with a swing compressor, renowned for its low noise and high energy efficiency



Inverter

2 Specifications

2-1 Technical Specifications					4MXM68N		4MXM80N	
Casing	Colour				Ivory white			
Dimensions	Unit	Height	mm		734			
		Width	mm		958			
		Depth	mm		340			
	Packed unit	Height	mm		820			
		Width	mm		1,050			
Depth		mm		840				
Weight	Unit		kg	63		67		
	Packed unit		kg	67		71		
Packing	Weight		kg	4				
Heat exchanger	Length		mm	920		920 / 650		
	Rows	Quantity		2		2 / 1		
	Fin pitch		mm	1.4		1.4 / 1.8		
	Stages	Quantity		32		32 / 12		
	Tube type		ø8 Hi-XA					
	Fin	Type		WHS8 FIN-HYDROPHILIC				
		Treatment		Anti-corrosion treatment				
Compressor	Model				2YC71DXD#C			
	Type				Hermetically sealed swing compressor			
	Output		W	2,400.0				
Fan	Type				Propeller			
	Air flow rate	Cooling	High	m ³ /min	46.5		49.1	
				cfm	1,642		1,733	
			Nom.	m ³ /min	42.5		45.2	
		Super low	High	m ³ /min	24.1		24.1	
				cfm	851		851	
			Heating	High	m ³ /min	43.8		47.8
	cfm				1,547		1,688	
	Nom.	High	m ³ /min	43.8		43.9		
			cfm	1,547		1,550		
	Super low	Heating	m ³ /min	24.1		24.1		
cfm			851.0		851.0			
Fan motor	Model				D55F-31		DB90B-37	
	Output		W	55		128		
	Speed	Cooling	High	rpm	760		800	
				Nom.	rpm	700		740
			Low	rpm	420		420	
				Super low	rpm	-		
		Heating	High	rpm	720		780	
				Nom.	rpm	720		720
			Low	rpm	420		420	
				Super low	rpm	-		
Sound power level	Cooling		dBA	61				
	Heating		dBA	61				
Sound pressure level	Cooling	Nom.	dBA	48		49		
	Heating	Nom.	dBA	48		49		
Operation range	Cooling	Ambient	Min.	°CDB	-10			
			Max.	°CDB	46			
	Heating	Ambient	Min.	°CWB	-15			
			Max.	°CWB	18			
Refrigerant	Type				R-32			
	Charge		kg	2.00		2.40		
			TCO ₂ eq	1.4		1.6		
	GWP				675			

2 Specifications

2

2-1 Technical Specifications					4MXM68N	4MXM80N	
Piping connections	Liquid	Quantity			4		
		OD	mm		6.35		
	Gas	Quantity			2	1	
		OD	mm		9.5		
	Drain	ID	mm		16		
	Gas 2	Quantity			2	1	
		OD	mm		12.7		
	Gas 3	Quantity			-	2	
		OD	mm		-	15.9	
	Piping length	OU - IU	Max.	m	25		
	Additional refrigerant charge				kg/m		0.02 (for piping length exceeding 30m)
	Level difference	IU - OU	Max.	m	15		
		IU - IU	Max.	m	7.5		
Heat insulation				Both liquid and gas pipes			
Total piping length	System	Actual	m	60	70		
Refrigerant oil	Type				FW68DA		
	Charged volume			l	0.90		

Standard Accessories : Installation manual; Quantity : 1;

Standard Accessories : Screw bag; Quantity : 1;

Standard Accessories : Drain plug; Quantity : 1;

Standard Accessories : Drain cap (1); Quantity : 6;

Standard Accessories : Drain cap (2); Quantity : 3;

Standard Accessories : Reducer assembly; Quantity : 1;

2-2 Electrical Specifications					4MXM68N	4MXM80N
Power supply	Name				V1	
	Phase				1~	
	Frequency			Hz	50	
	Voltage			V	220-240	
Current - 50Hz	Maximum fuse amps (MFA)			A	30	
Current	Nominal running current (RLA)	Cooling	A	7.31	8.91	
		Heating	A	8.41	9.87	
	Starting current	Cooling	A	8.3	11.2	
		Heating	A	8.3	11.2	
Current - 60Hz	Maximum fuse amps (MFA)			A	-	

Notes

Contains fluorinated greenhouse gases

3 Electrical data

3 - 1 Electrical Data

4MXM-N

Model		Unit				Power supply		COMP.		OFM	
Outdoor	H/P C/O	Hz	Voltage	MIN.	MAX.	MCA	MFA	MSC	RLA	kW	FLA
3MXM68N2V1B	H/P	50	220	198	242	21.0	30	9.8	8.76	0.056	0.37
			230	207	253				8.37		
			240	216	264				8.03		
4MXM68N2V1B	H/P	50	220	198	242	21.0	30	8.3	7.65	0.056	0.37
			230	207	253				7.31		
			240	216	264				7.01		
4MXM80N2V1B	H/P	50	220	198	242	21.0	30	11.2	9.32	0.075	0.50
			230	207	253				8.91		
			240	216	264				8.54		
5MXM90N2V1B	H/P	50	220	198	242	24.5	30	11.8	10.40	0.075	0.50
			230	207	253				9.94		
			240	216	264				9.53		

Symbols

- MCA: Minimum Circuit Ampere [A]
- MFA: Maximum Fuse Ampere [A]
- MSC: Maximum current of the starting compressor [A]
- RLA: Rated load amps [A]
- OFM: Outdoor fan motor [A]
- FLA: Full Load Ampere [A]
- kW: Fan motor rated output [kW]

Notes

1. The RLA is based on the following conditions.
Cooling
Indoor temperature : 27 ° C DB / 19 ° C WB
Outdoor temperature : 35 ° C DB
2. Voltage range
The units are suitable for use with electrical system in which the voltage supplied to the unit terminals is not below or above the listed range limits.
3. The maximum allowable voltage that is unbalanced between phases is 2 %.
4. Select the wire size according to the MCA.
5. MFA is used to select the circuit breaker and the ground fault circuit interruptor.
Earth leakage circuit breaker

3D106208

4 Combination table

4 - 1 Combination Table

4MXM-N

In the combination table, the DHW generator for Multi or Hybrid for Multi is indicated by a capacity index.
 For the DHW generator for Multi, the capacity index is "2.0". For the Hybrid for Multi, the applicable capacity index is indicated on the applicable "Technical specifications" datasheet.

If the DHW generator for Multi or Hybrid for Multi is present in the system, then only combinations that contain their respective capacity index are allowed combinations. Disregard all other combinations.

Example – DHW generator for Multi

Example: allowed combinations – with DHW generator for Multi	
2.0 + 2.5 + 2.5	DHW generator for Multi + 2.5 kW class indoor unit + 2.5 kW class indoor unit
1.5+ 1.5 + 2.0	1.5 kW class indoor unit + 1.5 kW class indoor unit + DHW generator for Multi
2.0 + 2.0	2.0 kW class indoor unit + DHW generator for Multi
...	...

To determine the heating/cooling capacity of the system, only take into account the capacity class of the air conditioner indoor units. Ignore the capacity index of the DHW generator for Multi / Hybrid for Multi.

Example

1.5 kW class indoor unit + 1.5 kW class indoor unit + DHW generator for Multi = 1.5 + 1.5 + 2.0
 Heating/cooling capacity (Note 1) = 1.5 + 1.5

Combination table

OUTDOOR UNIT	INDOOR UNIT	COOLING CAPACITY (kW)			TOTAL CAPACITY (kW)			POWER INPUT COOLING (kW)			TOTAL CURRENT (A)			POWER FACTOR (%)
		A ROOM	B ROOM	C ROOM	Min.	Nom.	Max.	Min.	Nom.	Max.	Min.	Nom.	Max.	
4MXM-N	1.5D	1.5D	---	---	1.40	1.50	2.20	0.52	0.55	0.48	1.52	1.63	2.2	91
	2.0D	2.0D	---	---	1.40	2.00	2.50	0.62	0.68	0.71	1.52	2.28	3.4	91
	2.5D	2.5D	---	---	1.40	2.50	3.10	0.66	0.66	0.66	1.52	3.06	3.8	91
	3.5D	3.5D	---	---	1.40	3.50	4.10	0.66	0.66	0.66	1.52	4.68	5.7	91
	1.5+1.5	1.5D	1.5D	---	1.40	3.00	4.20	0.64	0.66	1.14	1.63	2.82	3.44	91
	1.5+2.0	1.5D	2.0D	---	1.40	3.50	4.20	0.64	0.71	1.12	1.63	3.40	3.93	91
	1.5+2.5	1.5D	2.5D	---	1.40	4.00	4.20	0.64	0.66	1.12	1.63	4.11	3.92	91
	1.5+3.5	1.5D	3.5D	---	1.40	4.50	4.20	0.64	0.66	1.08	1.63	4.07	3.92	91
	2.0+2.0	2.0D	2.0D	---	1.40	4.00	4.50	0.64	0.66	1.08	1.63	4.02	3.92	91
	2.0+2.5	1.78	2.22	---	1.40	4.00	4.50	0.64	0.66	1.07	1.63	3.97	3.92	91
	2.5+2.5	1.45	2.55	---	1.40	4.00	4.50	0.64	0.66	1.08	1.63	3.97	3.92	91
	2.5+2.5	2.00	2.00	---	1.40	4.00	4.50	0.64	0.66	1.08	1.63	3.97	3.92	91
	2.5+3.5	1.67	2.33	---	1.40	4.00	4.50	0.64	0.66	1.01	1.63	3.92	3.92	91
	3.5+3.5	2.00	2.00	---	1.40	4.00	4.50	0.64	0.66	0.99	1.63	3.92	3.11	91
	1.5+1.5+1.5	1.5D	1.5D	1.5D	1.70	4.00	4.00	0.56	0.72	0.98	1.74	3.71	4.68	91
	1.5+1.5+2.0	1.5D	1.5D	2.0D	1.70	4.00	4.60	0.56	0.72	0.98	1.74	3.68	4.68	91
	1.5+1.5+2.5	1.5D	1.5D	2.5D	1.70	4.00	4.60	0.56	0.72	0.94	1.74	3.68	4.68	91
	1.5+1.5+3.5	0.92	0.92	2.15	1.70	4.00	4.60	0.56	0.76	0.91	1.74	3.64	4.68	91
	1.5+2.0+2.0	1.08	1.48	1.48	1.70	4.00	4.60	0.56	0.72	0.98	1.74	3.68	4.68	91
	1.5+2.0+2.5	1.00	1.33	1.67	1.70	4.00	4.60	0.56	0.76	0.91	1.74	3.64	4.68	91
	1.5+2.5+2.5	0.86	1.14	2.00	1.70	4.00	4.60	0.56	0.76	0.89	1.74	3.64	4.68	91
	1.5+2.5+2.5	0.92	1.54	1.54	1.70	4.00	4.60	0.56	0.76	0.87	1.74	3.64	4.68	91
	2.0+2.0+2.0	1.30	1.30	1.30	1.70	4.00	4.60	0.56	0.76	0.88	1.74	3.64	4.68	91
	2.0+2.0+2.5	1.22	1.22	1.54	1.70	4.00	4.60	0.56	0.76	0.81	1.74	3.64	4.68	91
	2.0+2.5+2.5	1.14	1.48	1.48	1.70	4.00	4.60	0.56	0.76	0.81	1.74	3.59	4.68	91

Performance characteristics

①	②	Indoor air temperature [°C WB]												
		14°C		16°C		18°C		19°C		22°C		24°C		
		TC	PI	TC	PI	TC	PI	TC	PI	TC	PI	TC	PI	
		kW	kW	kW	kW	kW	kW	kW	kW	kW	kW	kW	kW	
		22.0	3.50	0.50	4.51	0.83	4.78	0.86	4.92	0.88	5.33	0.92	5.61	0.95
		25.0	3.50	0.60	4.34	0.89	4.62	0.92	4.76	0.93	5.17	0.98	5.44	1.01
		32.0	3.50	0.90	3.95	1.03	4.23	1.06	4.37	1.08	4.78	1.12	5.05	1.15
		35.0	3.50	1.06	3.79	1.10	4.06	1.13	4.20	1.14	4.61	1.19	4.89	1.22
		40.0	3.24	1.18	3.51	1.21	3.79	1.24	3.92	1.26	4.33	1.31	4.61	1.34
		43.0	3.07	1.26	3.34	1.29	3.62	1.32	3.76	1.33	4.17	1.38	4.44	1.41
		46.0	2.87	1.30	3.10	1.30	3.34	1.30	3.45	1.30	3.79	1.30	4.00	1.30

Notes

- The heating capacity data are ONLY valid for heating operation by the air conditioner indoor units when there is NO domestic hot water operation by the DHW generator for Multi or heating operation by the Hybrid for Multi.
- The DHW generator for Multi and Hybrid for Multi cannot be used as standalone units.
- The system can only contain either the DHW generator for Multi or the Hybrid for Multi.
- The system can only contain one DHW generator for Multi or Hybrid for Multi.
- The Hybrid for Multi can only be combined with 3MXM52/68N2V1B, 4MXM68/80N2V1B, 5MXM90N2V1B outdoor units.

3D106169A

4 Combination table

4 - 1 Combination Table

4MXM68N

Cooling (50Hz 230V)

Outdoor unit	Indoor unit	Cooling capacity [kW]				Total capacity [kW]			Power input [kW]			Total current [A]			Power factor [%]
		Room A	Room B	Room C	Room D	Min.	Nom.	Max.	Min.	Nom.	Max.	Min.	Nom.	Max.	
4MXM68N*	1,5	1,60	---	---	---	1,57	1,60	2,49	0,40	0,42	0,59	1,82	1,98	2,71	95
	2,0	2,00	---	---	---	1,65	2,00	2,68	0,42	0,43	0,60	1,91	2,08	2,75	95
	2,5	2,50	---	---	---	1,74	2,50	3,44	0,44	0,44	0,82	2,00	2,62	3,77	95
	3,5	3,50	---	---	---	1,93	3,50	4,86	0,46	0,46	1,43	2,09	3,84	6,53	95
	4,2	---	---	4,20	---	1,93	4,20	5,33	0,46	0,46	1,44	2,09	3,93	6,57	95
	5,0	---	---	5,00	---	1,94	5,00	6,03	0,44	0,44	2,13	2,00	7,20	9,77	95
	6,0	---	---	6,00	---	1,94	6,00	6,51	0,44	0,44	2,13	2,00	7,29	9,77	95
	1.5+1.5	1,50	1,50	---	---	1,95	3,00	4,79	0,40	0,51	1,15	1,81	2,34	5,25	95
	1.5+2.0	1,50	2,00	---	---	1,95	3,50	4,96	0,40	0,62	1,22	1,81	2,84	5,58	95
	1.5+2.5	1,50	2,50	---	---	1,95	4,00	5,28	0,40	0,75	1,36	1,81	3,44	6,23	95
	1.5+3.5	1,50	3,50	---	---	1,95	5,00	6,17	0,39	1,04	1,83	1,77	4,76	8,39	95
	1.5+4.2	1,50	4,20	---	---	1,95	5,70	6,39	0,39	1,27	1,96	1,77	5,82	8,96	95
	1.5+5.0	1,50	---	5,00	---	1,95	6,50	7,08	0,38	1,50	2,23	1,73	6,87	10,22	95
	1.5+6.0	1,36	---	5,44	---	1,96	6,80	7,59	0,37	1,62	2,36	1,68	7,42	10,79	95
	2.0+2.0	2,00	2,00	---	---	1,95	4,00	5,12	0,40	0,75	1,29	1,81	3,44	5,91	95
	2.0+2.5	2,00	2,50	---	---	1,95	4,50	5,44	0,40	0,89	1,43	1,81	4,08	6,56	95
	2.0+3.5	2,00	3,50	---	---	1,95	5,50	6,30	0,39	1,17	1,91	1,77	5,36	8,76	95
	2.0+4.2	2,00	4,20	---	---	1,95	6,20	6,51	0,39	1,43	2,05	1,77	6,55	9,37	95
	2.0+5.0	1,94	---	4,86	---	1,95	6,80	7,26	0,38	1,59	2,36	1,73	7,28	10,79	95
	2.0+6.0	1,70	---	5,10	---	1,96	6,80	7,71	0,37	1,61	2,45	1,68	7,37	11,20	95
	2.5+2.5	2,50	2,50	---	---	1,95	5,00	6,10	0,41	1,01	1,78	1,89	4,63	8,15	95
	2.5+3.5	2,50	3,50	---	---	1,95	6,00	6,57	0,40	1,29	2,11	1,81	5,91	9,65	95
	2.5+4.2	2,50	4,20	---	---	1,95	6,70	6,95	0,40	1,51	2,38	1,81	6,92	10,88	95
	2.5+5.0	2,27	---	4,53	---	1,95	6,80	7,37	0,37	1,50	2,45	1,68	6,87	11,20	95
	2.5+6.0	2,00	---	4,80	---	1,96	6,80	7,71	0,35	1,48	2,45	1,60	6,78	11,20	95
	3.5+3.5	3,40	3,40	---	---	1,95	6,80	7,13	0,38	1,45	2,37	1,73	6,64	10,83	95
	3.5+4.2	3,09	3,71	---	---	1,95	6,80	7,24	0,38	1,45	2,46	1,73	6,64	11,24	95
	3.5+5.0	2,80	---	4,00	---	1,95	6,80	7,76	0,35	1,42	2,78	1,60	6,50	12,71	95
	3.5+6.0	2,51	---	4,29	---	2,26	6,80	8,07	0,40	1,40	2,72	1,81	6,41	12,46	95
	4.2+4.2	3,40	3,40	---	---	1,95	6,80	7,14	0,38	1,44	2,37	1,73	6,60	10,83	95
	4.2+5.0	3,10	---	3,70	---	1,95	6,80	7,77	0,35	1,41	2,78	1,60	6,46	12,71	95
	4.2+6.0	2,80	---	4,00	---	2,26	6,80	8,08	0,40	1,40	2,72	1,81	6,41	12,46	95
	5.0+5.0	---	---	3,40	3,40	2,34	6,80	8,22	0,43	1,38	2,98	1,98	6,32	13,65	95
	5.0+6.0	---	---	3,09	3,71	2,47	6,80	8,45	0,44	1,37	2,92	2,02	6,28	13,36	95
	1.5+1.5+1.5	1,50	1,50	1,50	---	1,96	4,50	6,40	0,39	0,61	1,57	1,77	2,80	7,17	95
	1.5+1.5+2.0	1,44	1,44	1,92	---	1,96	4,80	6,56	0,39	0,70	1,65	1,77	3,21	7,54	95
	1.5+1.5+2.5	1,36	1,36	2,27	---	1,96	5,00	6,72	0,39	0,80	1,73	1,77	3,67	7,90	95
	1.5+1.5+3.5	1,50	1,50	3,50	---	1,96	6,50	7,11	0,38	1,56	1,92	1,73	7,14	8,80	95
	1.5+1.5+4.2	1,42	1,42	3,97	---	1,96	6,80	7,33	0,38	1,80	2,05	1,73	8,24	9,37	95
	1.5+1.5+5.0	1,28	1,28	4,25	---	1,96	6,80	7,74	0,36	1,75	2,22	1,64	8,01	10,14	95
	1.5+1.5+6.0	1,13	1,13	4,53	---	2,31	6,80	7,99	0,40	1,73	2,17	1,85	7,92	9,94	95
	1.5+2.0+2.0	1,50	2,00	2,00	---	1,96	5,50	6,48	0,39	1,01	1,61	1,77	4,63	7,37	95
1.5+2.0+2.5	1,50	2,00	2,50	---	1,96	6,00	6,87	0,39	1,32	1,81	1,77	6,05	8,27	95	
1.5+2.0+3.5	1,46	1,94	3,40	---	1,96	6,80	7,25	0,38	1,80	2,01	1,73	8,24	9,21	95	

Notes

- The total capacity of each connected indoor unit is up to 11.0kW.
- The values above are for connecting with the following indoor unit types:
1.5,2.0,2.5,3.5,4.2,5.0,6.0 kW class
Wall-mounted CTXM-M,FTXM-M series
- Cooling capacity conditions
Indoor temperature 27°C DB / 19°C WB
Outdoor temperature 35°C DB
- Editable data for this drawing are available in the GDE(E-BOM) system.
- For additional information on the connection of the DHW generator for Multi and the Hybrid for Multi, see 3D106169.

3D105385

4 Combination table

4 - 1 Combination Table

4

4MXM68N

Cooling (50Hz 230V)

Outdoor unit	Indoor unit	Cooling capacity [kW]				Total capacity [kW]			Power input [kW]			Total current [A]			Power factor [%]
		Room A	Room B	Room C	Room D	Min.	Nom.	Max.	Min.	Nom.	Max.	Min.	Nom.	Max.	
4MXM68N*	1.5+2.0+4.2	1,32	1,77	3,71	---	1,96	6,80	7,47	0,38	1,79	2,14	1,73	8,20	9,78	95
	1.5+2.0+5.0	1,20	1,60	4,00	---	1,96	6,80	7,87	0,36	1,74	2,31	1,64	7,97	10,55	95
	1.5+2.0+6.0	1,07	1,43	4,29	---	2,31	6,80	8,13	0,40	1,72	2,26	1,85	7,88	10,35	95
	1.5+2.5+2.5	1,50	2,50	2,50	---	1,96	6,50	7,10	0,38	1,63	1,92	1,73	7,46	8,80	95
	1.5+2.5+3.5	1,36	2,27	3,17	---	1,96	6,80	7,60	0,36	1,79	2,23	1,64	8,20	10,18	95
	1.5+2.5+4.2	1,24	2,07	3,48	---	1,96	6,80	7,81	0,36	1,78	2,35	1,64	8,15	10,75	95
	1.5+2.5+5.0	1,13	1,89	3,78	---	1,96	6,80	7,95	0,36	1,74	2,35	1,64	7,97	10,75	95
	1.5+2.5+6.0	1,02	1,70	4,08	---	2,31	6,80	8,42	0,41	1,71	2,44	1,89	7,83	11,16	95
	1.5+3.5+3.5	1,20	2,80	2,80	---	1,96	6,80	7,94	0,37	1,77	2,45	1,68	8,11	11,20	95
	1.5+3.5+4.2	1,11	2,59	3,10	---	1,96	6,80	8,13	0,37	1,76	2,58	1,68	8,06	11,81	95
	1.5+3.5+5.0	1,02	2,38	3,40	---	1,96	6,80	8,46	0,33	1,72	2,72	1,52	7,88	12,46	95
	1.5+3.5+6.0	0,93	2,16	3,71	---	2,31	6,80	8,56	0,41	1,70	2,53	1,89	7,79	11,57	95
	1.5+4.2+4.2	1,03	---	2,88	2,88	1,96	6,80	8,26	0,37	1,75	2,68	1,68	8,01	12,26	95
	1.5+4.2+5.0	0,95	---	2,67	3,18	1,96	6,80	8,53	0,33	1,71	2,77	1,52	7,83	12,67	95
	2.0+2.0+2.0	2,00	2,00	2,00	---	1,96	6,00	6,64	0,39	1,34	1,68	1,77	6,14	7,70	95
	2.0+2.0+2.5	2,00	2,00	2,50	---	1,96	6,50	7,03	0,39	1,63	1,89	1,77	7,46	8,64	95
	2.0+2.0+3.5	1,81	1,81	3,17	---	1,96	6,80	7,40	0,38	1,79	2,09	1,73	8,20	9,57	95
	2.0+2.0+4.2	1,66	1,66	3,48	---	1,96	6,80	7,61	0,38	1,78	2,23	1,73	8,15	10,18	95
	2.0+2.0+5.0	1,51	1,51	3,78	---	1,96	6,80	8,01	0,36	1,74	2,39	1,64	7,97	10,96	95
	2.0+2.0+6.0	1,36	1,36	4,08	---	2,31	6,80	8,27	0,40	1,71	2,35	1,85	7,83	10,75	95
	2.0+2.5+2.5	1,94	2,43	2,43	---	1,96	6,80	7,24	0,38	1,77	2,01	1,73	8,11	9,21	95
	2.0+2.5+3.5	1,70	2,13	2,98	---	1,96	6,80	7,74	0,36	1,76	2,31	1,64	8,06	10,55	95
	2.0+2.5+4.2	1,56	1,95	3,28	---	1,96	6,80	7,94	0,36	1,75	2,45	1,64	8,01	11,20	95
	2.0+2.5+5.0	1,43	1,79	3,58	---	1,96	6,80	8,08	0,36	1,71	2,44	1,64	7,83	11,16	95
	2.0+2.5+6.0	1,30	1,62	3,89	---	2,31	6,80	8,55	0,41	1,69	2,53	1,89	7,74	11,57	95
	2.0+3.5+3.5	1,51	2,64	2,64	---	1,96	6,80	8,07	0,37	1,74	2,54	1,68	7,97	11,61	95
	2.0+3.5+4.2	1,40	2,45	2,94	---	1,96	6,80	8,25	0,37	1,74	2,68	1,68	7,97	12,26	95
	2.0+3.5+5.0	1,30	2,27	3,24	---	2,28	6,80	8,58	0,40	1,69	2,82	1,85	7,74	12,91	95
	2.0+4.2+4.2	1,31	---	2,75	2,75	1,96	6,80	8,37	0,37	1,73	2,77	1,68	7,92	12,67	95
	2.5+2.5+2.5	2,27	2,27	2,27	---	1,96	6,80	7,53	0,38	1,76	2,18	1,73	8,06	9,98	95
	2.5+2.5+3.5	2,00	2,00	2,80	---	1,96	6,80	7,94	0,36	1,72	2,45	1,64	7,88	11,20	95
	2.5+2.5+4.2	1,85	1,85	3,10	---	1,96	6,80	8,12	0,36	1,71	2,58	1,64	7,83	11,81	95
	2.5+2.5+5.0	1,70	1,70	3,40	---	2,28	6,80	8,45	0,40	1,67	2,72	1,85	7,65	12,46	95
	2.5+2.5+6.0	1,55	1,55	3,71	---	2,42	6,80	8,74	0,40	1,65	2,67	1,85	7,56	12,22	95
	2.5+3.5+3.5	1,79	2,51	2,51	---	2,27	6,80	8,30	0,40	1,70	2,72	1,85	7,79	12,46	95
	2.5+3.5+4.2	1,67	2,33	2,80	---	2,27	6,80	8,43	0,40	1,69	2,82	1,85	7,74	12,91	95
	2.5+3.5+5.0	1,55	2,16	3,09	---	2,48	6,80	8,74	0,42	1,65	2,96	1,94	7,56	13,56	95
	2.5+4.2+4.2	1,56	---	2,62	2,62	2,27	6,80	8,49	0,40	1,68	2,87	1,85	7,69	13,12	95
	3.5+3.5+3.5	2,27	2,27	2,27	---	2,38	6,80	8,59	0,40	1,68	2,96	1,81	7,69	13,56	95
	1.5+1.5+1.5+1.5	1,65	1,65	1,65	1,65	1,97	6,60	7,09	0,38	1,38	1,63	1,73	6,32	7,45	95
	1.5+1.5+1.5+2.0	1,52	1,52	1,52	2,03	1,97	6,60	7,27	0,38	1,37	1,70	1,73	6,28	7,78	95
	1.5+1.5+1.5+2.5	1,41	1,41	1,41	2,36	1,97	6,60	7,45	0,36	1,35	1,78	1,64	6,18	8,15	95
1.5+1.5+1.5+3.5	1,28	1,28	1,28	2,98	1,97	6,80	7,87	0,37	1,58	1,99	1,68	7,24	9,12	95	
1.5+1.5+1.5+4.2	1,17	1,17	1,17	3,28	1,97	6,80	8,04	0,37	1,58	2,07	1,68	7,24	9,49	95	

Notes

- The total capacity of each connected indoor unit is up to 11.0kW.
- The values above are for connecting with the following indoor unit types:
1.5,2.0,2.5,3.5,4.2,5.0,6.0 kW class
Wall-mounted CTXM-M,FTXM-M series
- Cooling capacity conditions
Indoor temperature 27°C DB / 19°C WB
Outdoor temperature 35°C DB
- Editable data for this drawing are available in the GDE(E-BOM) system.
- For additional information on the connection of the DHW generator for Multi and the Hybrid for Multi, see 3D106169.

3D105389

4 Combination table

4 - 1 Combination Table

4MXM68N

Cooling (50Hz 230V)

Outdoor unit	Indoor unit	Cooling capacity [kW]				Total capacity [kW]			Power input [kW]			Total current [A]			Power factor [%]
		Room A	Room B	Room C	Room D	Min.	Nom.	Max.	Min.	Nom.	Max.	Min.	Nom.	Max.	
4MXM68N*	1.5+1.5+1.5+5.0	1,07	1,07	1,07	3,58	2,45	6,80	8,48	0,42	1,54	2,32	1,94	7,05	10,63	95
	1.5+1.5+1.5+6.0	0,97	0,97	0,97	3,89	2,48	6,80	8,38	0,40	1,52	2,08	1,81	6,96	9,53	95
	1.5+1.5+2.0+2.0	1,46	1,46	1,94	1,94	1,97	6,80	7,45	0,38	1,60	1,78	1,73	7,33	8,15	95
	1.5+1.5+2.0+2.5	1,36	1,36	1,81	2,27	1,97	6,80	7,62	0,36	1,58	1,87	1,64	7,24	8,55	95
	1.5+1.5+2.0+3.5	1,20	1,20	1,60	2,80	1,97	6,80	8,03	0,37	1,57	2,07	1,68	7,19	9,49	95
	1.5+1.5+2.0+4.2	1,11	1,11	1,48	3,10	1,97	6,80	8,19	0,37	1,56	2,16	1,68	7,14	9,90	95
	1.5+1.5+2.0+5.0	1,02	1,02	1,36	3,40	2,45	6,80	8,63	0,42	1,53	2,41	1,94	7,01	11,04	95
	1.5+1.5+2.0+6.0	0,93	0,93	1,24	3,71	2,48	6,80	8,56	0,40	1,51	2,18	1,81	6,92	9,98	95
	1.5+1.5+2.5+2.5	1,28	1,28	2,13	2,13	1,97	6,80	7,70	0,36	1,58	1,90	1,64	7,24	8,72	95
	1.5+1.5+2.5+3.5	1,13	1,13	1,89	2,64	2,32	6,80	8,11	0,46	1,56	2,12	2,11	7,14	9,69	95
	1.5+1.5+2.5+4.2	1,05	1,05	1,75	2,94	2,32	6,80	8,27	0,46	1,55	2,21	2,11	7,10	10,10	95
	1.5+1.5+2.5+5.0	0,97	0,97	1,62	3,24	2,45	6,80	8,70	0,42	1,52	2,46	1,94	6,96	11,24	95
	1.5+1.5+3.5+3.5	1,02	1,02	2,38	2,38	2,32	6,80	8,57	0,46	1,55	2,39	2,11	7,10	10,92	95
	1.5+1.5+3.5+4.2	0,95	0,95	2,22	2,67	2,44	6,80	8,65	0,50	1,54	2,44	2,27	7,05	11,16	95
	1.5+2.0+2.0+2.0	1,36	1,81	1,81	1,81	1,97	6,80	7,61	0,38	1,59	1,87	1,73	7,28	8,55	95
	1.5+2.0+2.0+2.5	1,28	1,70	1,70	2,13	1,97	6,80	7,78	0,36	1,58	1,95	1,64	7,24	8,92	95
	1.5+2.0+2.0+3.5	1,13	1,51	1,51	2,64	2,32	6,80	8,18	0,46	1,57	2,16	2,11	7,19	9,90	95
	1.5+2.0+2.0+4.2	1,05	1,40	1,40	2,94	2,32	6,80	8,34	0,46	1,56	2,25	2,11	7,14	10,31	95
	1.5+2.0+2.0+5.0	0,97	1,30	1,30	3,24	2,45	6,80	8,77	0,42	1,53	2,51	1,94	7,01	11,49	95
	1.5+2.0+2.5+2.5	1,20	1,60	2,00	2,00	1,97	6,80	7,86	0,36	1,58	1,99	1,64	7,24	9,12	95
	1.5+2.0+2.5+3.5	1,07	1,43	1,79	2,51	2,32	6,80	8,26	0,46	1,56	2,21	2,11	7,14	10,10	95
	1.5+2.0+2.5+4.2	1,00	1,33	1,67	2,80	2,32	6,80	8,43	0,46	1,55	2,30	2,11	7,10	10,51	95
	1.5+2.0+2.5+5.0	0,93	1,24	1,55	3,09	2,45	6,80	8,85	0,42	1,52	2,55	1,94	6,96	11,69	95
	1.5+2.0+3.5+3.5	0,97	1,30	2,27	2,27	1,98	6,80	8,64	0,37	1,55	2,44	1,68	7,10	11,16	95
	1.5+2.5+2.5+2.5	1,13	1,89	1,89	1,89	1,97	6,80	8,18	0,33	1,57	2,16	1,52	7,19	9,90	95
	1.5+2.5+2.5+3.5	1,02	1,70	1,70	2,38	2,32	6,80	8,49	0,40	1,55	2,34	1,81	7,10	10,71	95
	1.5+2.5+2.5+4.2	0,95	1,59	1,59	2,67	2,32	6,80	8,50	0,41	1,55	2,34	1,89	7,10	10,71	95
	1.5+2.5+3.5+3.5	0,93	1,55	2,16	2,16	2,32	6,80	8,71	0,40	1,54	2,48	1,81	7,05	11,36	95
	2.0+2.0+2.0+2.0	1,70	1,70	1,70	1,70	1,97	6,80	7,78	0,38	1,58	1,95	1,73	7,24	8,92	95
	2.0+2.0+2.0+2.5	1,60	1,60	1,60	2,00	1,97	6,80	7,95	0,36	1,58	2,04	1,64	7,24	9,33	95
	2.0+2.0+2.0+3.5	1,43	1,43	1,43	2,51	1,97	6,80	8,33	0,37	1,56	2,25	1,68	7,14	10,31	95
	2.0+2.0+2.0+4.2	1,33	1,33	1,33	2,80	1,97	6,80	8,49	0,37	1,55	2,34	1,68	7,10	10,71	95
	2.0+2.0+2.0+5.0	1,24	1,24	1,24	3,09	2,45	6,80	8,91	0,42	1,52	2,61	1,94	6,96	11,93	95
	2.0+2.0+2.5+2.5	1,51	1,51	1,89	1,89	1,97	6,80	8,10	0,37	1,57	2,12	1,68	7,19	9,69	95
	2.0+2.0+2.5+3.5	1,36	1,36	1,70	2,38	2,32	6,80	8,49	0,41	1,55	2,34	1,89	7,10	10,71	95
	2.0+2.0+2.5+4.2	1,27	1,27	1,59	2,67	2,32	6,80	8,64	0,41	1,55	2,44	1,89	7,10	11,16	95
	2.0+2.0+3.5+3.5	1,24	1,24	2,16	2,16	2,44	6,80	8,78	0,41	1,55	2,53	1,89	7,10	11,57	95
	2.0+2.5+2.5+2.5	1,43	1,79	1,79	1,79	1,97	6,80	8,33	0,37	1,56	2,25	1,68	7,14	10,31	95
	2.0+2.5+2.5+3.5	1,30	1,62	1,62	2,27	2,32	6,80	8,63	0,41	1,55	2,44	1,89	7,10	11,16	95
	2.5+2.5+2.5+2.5	1,70	1,70	1,70	1,70	2,32	6,80	8,56	0,42	1,55	2,39	1,94	7,10	10,92	95
	2.5+2.5+2.5+3.5	1,55	1,55	1,55	2,16	2,44	6,80	8,90	0,42	1,54	2,63	1,94	7,05	12,02	95

Notes

- The total capacity of each connected indoor unit is up to 11.0kW.
- The values above are for connecting with the following indoor unit types:
1.5,2.0,2.5,3.5,4.2,5.0,6.0 kW class
Wall-mounted CTXM-M,FTXM-M series
- Cooling capacity conditions
Indoor temperature 27°C DB / 19°C WB
Outdoor temperature 35°C DB
- Editable data for this drawing are available in the GDE(E-BOM) system.
- For additional information on the connection of the DHW generator for Multi and the Hybrid for Multi, see 3D106169.

3D105390

4 Combination table

4 - 1 Combination Table

4

4MXM68N

Heating (50Hz 230V)

Outdoor unit	Indoor unit	Heating capacity [kW]				Total capacity [kW]			Power input [kW]			Total current [A]			Power factor [%]
		Room A	Room B	Room C	Room D	Min.	Nom.	Max.	Min.	Nom.	Max.	Min.	Nom.	Max.	
4MXM68N*	1,5	2,70	---	---	---	1,47	2,70	4,08	0,42	0,73	1,22	1,91	3,35	5,59	95
	2,0	2,72	---	---	---	1,48	2,72	4,09	0,43	0,74	1,23	1,95	3,39	5,64	95
	2,5	3,40	---	---	---	1,44	3,40	4,30	0,42	1,03	1,33	1,91	4,72	6,08	95
	3,5	4,30	---	---	---	1,45	4,30	4,70	0,40	1,42	1,56	1,82	6,50	7,15	95
	4,2	---	---	4,32	---	1,44	4,32	4,69	0,40	1,41	1,56	1,82	6,46	7,15	95
	5,0	---	---	5,60	---	1,66	5,60	5,94	0,39	1,84	1,90	1,78	8,43	8,70	95
	6,0	---	---	7,90	---	1,88	7,90	8,91	0,37	2,65	2,64	1,69	12,13	12,08	95
	1,5+1,5	2,65	2,65	---	---	1,65	5,30	7,38	0,36	1,19	1,83	1,63	5,45	8,38	95
	1,5+2,0	2,44	3,26	---	---	1,65	5,70	7,76	0,36	1,31	1,99	1,63	6,00	9,09	95
	1,5+2,5	2,29	3,81	---	---	1,65	6,10	7,95	0,36	1,43	2,06	1,63	6,55	9,43	95
	1,5+3,5	2,07	4,83	---	---	1,80	6,90	8,50	0,37	1,69	2,35	1,68	7,74	10,74	95
	1,5+4,2	1,97	---	5,53	---	1,80	7,50	8,85	0,37	1,90	2,57	1,68	8,70	11,75	95
	1,5+5,0	1,89	---	6,31	---	2,18	8,20	10,38	0,45	2,13	2,91	2,06	9,75	13,31	95
	1,5+6,0	1,72	---	6,88	---	2,46	8,60	10,58	0,48	2,28	2,67	2,19	10,44	12,21	95
	2,0+2,0	3,25	3,25	---	---	1,65	6,50	7,95	0,36	1,37	2,07	1,63	6,28	9,47	95
	2,0+2,5	3,07	3,83	---	---	1,65	6,90	8,12	0,36	1,52	2,14	1,63	6,96	9,81	95
	2,0+3,5	2,73	4,77	---	---	1,80	7,50	8,67	0,37	1,75	2,43	1,68	8,01	11,12	95
	2,0+4,2	2,58	---	5,42	---	1,80	8,00	9,03	0,37	1,98	2,66	1,68	9,07	12,17	95
	2,0+5,0	2,46	---	6,14	---	2,18	8,60	10,56	0,45	2,26	3,00	2,06	10,35	13,73	95
	2,0+6,0	2,15	---	6,45	---	2,46	8,60	10,75	0,48	2,24	2,74	2,19	10,26	12,55	95
	2,5+2,5	3,60	3,60	---	---	1,65	7,20	8,49	0,36	1,62	2,36	1,63	7,42	10,78	95
	2,5+3,5	3,29	4,61	---	---	1,89	7,90	9,03	0,38	1,91	2,66	1,72	8,75	12,17	95
	2,5+4,2	3,10	---	5,20	---	1,89	8,30	9,29	0,38	2,11	2,82	1,72	9,66	12,93	95
	2,5+5,0	2,87	---	5,73	---	2,27	8,60	10,68	0,46	2,24	3,09	2,11	10,26	14,15	95
	2,5+6,0	2,53	---	6,07	---	2,55	8,60	10,88	0,50	2,22	2,77	2,28	10,17	12,67	95
	3,5+3,5	4,30	4,30	---	---	2,17	8,60	9,38	0,42	2,26	2,86	1,94	10,35	13,09	95
	3,5+4,2	3,91	---	4,69	---	2,17	8,60	9,47	0,42	2,26	2,91	1,94	10,35	13,31	95
	3,5+5,0	3,54	---	5,06	---	2,56	8,60	10,90	0,51	2,22	3,13	2,32	10,17	14,32	95
	3,5+6,0	3,17	---	5,43	---	2,74	8,60	11,01	0,52	2,21	2,76	2,37	10,12	12,63	95
	4,2+4,2	---	---	4,30	4,30	2,17	8,60	9,56	0,42	2,22	2,94	1,94	10,17	13,47	95
	4,2+5,0	---	---	3,93	4,67	2,56	8,60	10,91	0,51	2,21	3,19	2,32	10,12	14,61	95
	4,2+6,0	---	---	3,54	5,06	2,74	8,60	11,02	0,51	2,20	2,79	2,32	10,07	12,76	95
	5,0+5,0	---	---	4,30	4,30	2,94	8,60	11,10	0,59	2,17	3,11	2,71	9,94	14,23	95
	5,0+6,0	---	---	3,91	4,69	3,14	8,60	11,09	0,60	2,15	2,72	2,75	9,84	12,46	95
	1,5+1,5+1,5	2,17	2,17	2,17	---	2,01	6,50	9,92	0,41	1,33	2,26	1,89	6,09	10,36	95
	1,5+1,5+2,0	2,07	2,07	2,76	---	2,01	6,90	10,10	0,41	1,46	2,34	1,89	6,69	10,69	95
	1,5+1,5+2,5	2,02	2,02	3,36	---	2,10	7,40	10,18	0,42	1,64	2,37	1,94	7,51	10,86	95
	1,5+1,5+3,5	1,89	1,89	4,42	---	2,31	8,20	10,29	0,44	1,87	2,49	2,02	8,56	11,41	95
	1,5+1,5+4,2	1,79	1,79	5,02	---	2,31	8,60	10,29	0,44	2,03	2,49	2,02	9,30	11,41	95
	1,5+1,5+5,0	1,61	1,61	5,38	---	2,71	8,60	10,46	0,55	2,01	2,57	2,50	9,20	11,75	95
1,5+1,5+6,0	1,43	1,43	5,73	---	2,93	8,60	10,59	0,55	1,99	2,31	2,50	9,11	10,57	95	
1,5+2,0+2,0	2,35	3,13	3,13	---	2,01	8,60	10,26	0,41	2,05	2,41	1,89	9,39	11,03	95	

Notes

- The total capacity of each connected indoor unit is up to 11.0kW.
- The values above are for connecting with the following indoor unit types:
1.5,2.0,2.5,3.5,4.2,5.0,6.0 kW class
Wall-mounted CTXM-M,FTXM-M series
- Heating capacity conditions
Indoor temperature 20°C DB
Outdoor temperature 7°C DB / 6°C WB
- Editable data for this drawing are available in the GDE(E-BOM) system.
- For additional information on the connection of the DHW generator for Multi and the Hybrid for Multi, see 3D106169.

3D105391

4 Combination table

4 - 1 Combination Table

4MXM68N

Heating (50Hz 230V)

Outdoor unit	Indoor unit	Heating capacity [kW]				Total capacity [kW]			Power input [kW]			Total current [A]			Power factor [%]
		Room A	Room B	Room C	Room D	Min.	Nom.	Max.	Min.	Nom.	Max.	Min.	Nom.	Max.	
4MXM68N*	1.5+2.0+2.5	2,15	2,87	3,58	---	2,10	8,60	10,36	0,42	2,04	2,44	1,94	9,34	11,16	95
	1.5+2.0+3.5	1,84	2,46	4,30	---	2,31	8,60	10,45	0,44	2,02	2,58	2,02	9,25	11,79	95
	1.5+2.0+4.2	1,68	2,23	4,69	---	2,31	8,60	10,46	0,44	2,01	2,57	2,02	9,20	11,75	95
	1.5+2.0+5.0	1,52	2,02	5,06	---	2,71	8,60	10,88	0,55	2,00	2,64	2,50	9,16	12,08	95
	1.5+2.0+6.0	1,36	1,81	5,43	---	2,93	8,60	10,89	0,55	1,98	2,38	2,50	9,07	10,91	95
	1.5+2.5+2.5	1,98	3,31	3,31	---	2,20	8,60	10,47	0,45	2,03	2,44	2,06	9,30	11,16	95
	1.5+2.5+3.5	1,72	2,87	4,01	---	2,40	8,60	10,58	0,47	2,02	2,57	2,15	9,25	11,75	95
	1.5+2.5+4.2	1,57	2,62	4,40	---	2,41	8,60	10,58	0,47	2,00	2,57	2,15	9,16	11,75	95
	1.5+2.5+5.0	1,43	2,39	4,78	---	2,81	8,60	11,00	0,56	1,99	2,64	2,58	9,11	12,08	95
	1.5+2.5+6.0	1,29	2,15	5,16	---	3,02	8,60	10,77	0,57	1,97	2,38	2,62	9,02	10,91	95
	1.5+3.5+3.5	1,52	3,54	3,54	---	2,69	8,60	10,59	0,55	1,99	2,57	2,50	9,11	11,75	95
	1.5+3.5+4.2	1,40	3,27	3,93	---	2,69	8,60	10,59	0,55	1,98	2,56	2,50	9,07	11,71	95
	1.5+3.5+5.0	1,29	3,01	4,30	---	3,00	8,60	10,93	0,62	1,97	2,59	2,84	9,02	11,87	95
	1.5+3.5+6.0	1,17	2,74	4,69	---	2,93	8,60	10,78	0,55	1,96	2,37	2,50	8,98	10,86	95
	1.5+4.2+4.2	1,30	---	3,65	3,65	2,69	8,60	10,68	0,55	1,98	2,59	2,50	9,07	11,87	95
	1.5+4.2+5.0	1,21	---	3,38	4,02	3,00	8,60	10,99	0,62	1,96	2,67	2,84	8,98	12,21	95
	2.0+2.0+2.0	2,60	2,60	2,60	---	2,01	7,80	10,44	0,41	1,72	2,48	1,89	7,88	11,37	95
	2.0+2.0+2.5	2,52	2,52	3,15	---	2,10	8,20	10,52	0,42	1,83	2,52	1,94	8,38	11,54	95
	2.0+2.0+3.5	2,29	2,29	4,01	---	2,31	8,60	10,63	0,44	2,04	2,65	2,02	9,34	12,13	95
	2.0+2.0+4.2	2,10	2,10	4,40	---	2,31	8,60	10,63	0,44	2,02	2,65	2,02	9,25	12,13	95
	2.0+2.0+5.0	1,91	1,91	4,78	---	2,71	8,60	10,82	0,55	2,00	2,72	2,50	9,16	12,46	95
	2.0+2.0+6.0	1,72	1,72	5,16	---	2,93	8,60	10,95	0,55	1,99	2,46	2,50	9,11	11,24	95
	2.0+2.5+2.5	2,46	3,07	3,07	---	2,20	8,60	10,54	0,43	1,97	2,61	1,98	9,02	11,96	95
	2.0+2.5+3.5	2,15	2,69	3,76	---	2,40	8,60	10,63	0,46	2,02	2,65	2,11	9,25	12,13	95
	2.0+2.5+4.2	1,98	2,47	4,15	---	2,41	8,60	10,64	0,46	2,01	2,64	2,11	9,20	12,08	95
	2.0+2.5+5.0	1,81	2,26	4,53	---	2,81	8,60	11,06	0,56	1,98	2,75	2,58	9,07	12,59	95
	2.0+2.5+6.0	1,64	2,05	4,91	---	3,02	8,60	11,07	0,56	1,98	2,43	2,58	9,07	11,12	95
	2.0+3.5+3.5	1,91	3,34	3,34	---	2,69	8,60	10,76	0,52	2,00	2,70	2,37	9,16	12,34	95
	2.0+3.5+4.2	1,77	3,10	3,72	---	2,69	8,60	10,76	0,52	1,99	2,69	2,37	9,11	12,29	95
	2.0+3.5+5.0	1,64	2,87	4,10	---	3,00	8,60	11,11	0,58	1,98	2,82	2,67	9,07	12,88	95
	2.0+4.2+4.2	1,65	---	3,47	3,47	2,69	8,60	10,77	0,52	1,97	2,69	2,37	9,02	12,29	95
	2.5+2.5+2.5	2,87	2,87	2,87	---	2,31	8,60	10,65	0,45	1,99	2,64	2,06	9,11	12,08	95
	2.5+2.5+3.5	2,53	2,53	3,54	---	2,50	8,60	10,87	0,48	1,99	2,72	2,19	9,11	12,46	95
	2.5+2.5+4.2	2,34	2,34	3,93	---	2,50	8,60	10,88	0,48	1,97	2,72	2,19	9,02	12,46	95
	2.5+2.5+5.0	2,15	2,15	4,30	---	2,91	8,60	11,07	0,58	1,96	2,78	2,67	8,98	12,72	95
	2.5+2.5+6.0	1,95	1,95	4,69	---	3,12	8,60	11,08	0,58	1,94	2,43	2,67	8,88	11,12	95
	2.5+3.5+3.5	2,26	3,17	3,17	---	2,78	8,60	11,00	0,53	1,96	2,72	2,41	8,98	12,46	95
	2.5+3.5+4.2	2,11	2,95	3,54	---	2,79	8,60	11,01	0,53	1,96	2,71	2,41	8,98	12,42	95
	2.5+3.5+5.0	1,95	2,74	3,91	---	3,19	8,60	11,08	0,60	1,90	2,74	2,75	8,70	12,55	95
	2.5+4.2+4.2	1,97	---	3,31	3,31	2,79	8,60	11,01	0,53	1,95	2,71	2,41	8,93	12,42	95
	3.5+3.5+3.5	2,87	2,87	2,87	---	2,98	8,60	11,06	0,57	1,94	2,79	2,62	8,88	12,76	95
	1.5+1.5+1.5+1.5	1,95	1,95	1,95	1,95	2,47	7,80	10,07	0,49	1,62	2,12	2,24	7,42	9,68	95

Notes

- The total capacity of each connected indoor unit is up to 11.0kW.
- The values above are for connecting with the following indoor unit types:
1.5,2.0,2.5,3.5,4.2,5.0,6.0 kW class
Wall-mounted CTXM-M,FTXM-M series
- Heating capacity conditions
Indoor temperature 20°C DB
Outdoor temperature 7°C DB / 6°C WB
- Editable data for this drawing are available in the GDE(E-BOM) system.
- For additional information on the connection of the DHW generator for Multi and the Hybrid for Multi, see 3D106169.

3D105393

4 Combination table

4 - 1 Combination Table

4

4MXM68N

Heating (50Hz 230V)

Outdoor unit	Indoor unit	Heating capacity [kW]				Total capacity [kW]			Power input [kW]			Total current [A]			Power factor [%]
		Room A	Room B	Room C	Room D	Min.	Nom.	Max.	Min.	Nom.	Max.	Min.	Nom.	Max.	
4MXM68N*	1.5+1.5+1.5+2.0	1.89	1.89	1.89	2.52	2.47	8.20	10.25	0.49	1.77	2.19	2.24	8.11	10.02	95
	1.5+1.5+1.5+2.5	1.84	1.84	1.84	3.07	2.57	8.60	10.36	0.50	1.88	2.15	2.28	8.61	9.85	95
	1.5+1.5+1.5+3.5	1.61	1.61	1.61	3.76	2.77	8.60	10.46	0.54	1.84	2.21	2.45	8.43	10.11	95
	1.5+1.5+1.5+4.2	1.48	1.48	1.48	4.15	2.78	8.60	10.46	0.53	1.84	2.20	2.41	8.43	10.06	95
	1.5+1.5+1.5+5.0	1.36	1.36	1.36	4.53	3.10	8.60	10.52	0.59	1.83	2.13	2.71	8.38	9.73	95
	1.5+1.5+1.5+6.0	1.23	1.23	1.23	4.91	3.04	8.60	10.88	0.45	1.79	1.98	2.06	8.20	9.05	95
	1.5+1.5+2.0+2.0	1.84	1.84	2.46	2.46	2.47	8.60	10.44	0.49	1.87	2.26	2.24	8.56	10.36	95
	1.5+1.5+2.0+2.5	1.72	1.72	2.29	2.87	2.57	8.60	10.54	0.50	1.87	2.23	2.28	8.56	10.19	95
	1.5+1.5+2.0+3.5	1.52	1.52	2.02	3.54	2.77	8.60	10.64	0.54	1.84	2.27	2.45	8.43	10.40	95
	1.5+1.5+2.0+4.2	1.40	1.40	1.87	3.93	2.78	8.60	10.65	0.53	1.82	2.27	2.41	8.33	10.40	95
	1.5+1.5+2.0+5.0	1.29	1.29	1.72	4.30	3.10	8.60	10.71	0.59	1.82	2.20	2.71	8.33	10.06	95
	1.5+1.5+2.0+6.0	1.17	1.17	1.56	4.69	3.04	8.60	11.07	0.45	1.78	2.04	2.06	8.15	9.35	95
	1.5+1.5+2.5+2.5	1.61	1.61	2.69	2.69	2.67	8.60	10.55	0.52	1.86	2.23	2.37	8.52	10.19	95
	1.5+1.5+2.5+3.5	1.43	1.43	2.39	3.34	2.98	8.60	10.65	0.59	1.82	2.27	2.71	8.33	10.40	95
	1.5+1.5+2.5+4.2	1.33	1.33	2.22	3.72	2.98	8.60	10.65	0.58	1.81	2.27	2.67	8.29	10.40	95
	1.5+1.5+2.5+5.0	1.23	1.23	2.05	4.10	3.10	8.60	10.90	0.59	1.80	2.26	2.71	8.24	10.36	95
	1.5+1.5+3.5+3.5	1.29	1.29	3.01	3.01	3.18	8.60	10.75	0.64	1.78	2.30	2.93	8.15	10.53	95
	1.5+1.5+3.5+4.2	1.21	1.21	2.81	3.38	2.99	8.60	10.85	0.58	1.78	2.34	2.67	8.15	10.69	95
	1.5+2.0+2.0+2.0	1.72	2.29	2.29	2.29	2.47	8.60	10.63	0.49	1.87	2.34	2.24	8.56	10.69	95
	1.5+2.0+2.0+2.5	1.61	2.15	2.15	2.69	2.57	8.60	10.72	0.50	1.86	2.29	2.28	8.52	10.48	95
	1.5+2.0+2.0+3.5	1.43	1.91	1.91	3.34	2.77	8.60	10.83	0.54	1.81	2.35	2.45	8.29	10.74	95
	1.5+2.0+2.0+4.2	1.33	1.77	1.77	3.72	2.78	8.60	10.84	0.53	1.80	2.35	2.41	8.24	10.74	95
	1.5+2.0+2.0+5.0	1.23	1.64	1.64	4.10	3.10	8.60	10.90	0.59	1.79	2.26	2.71	8.20	10.36	95
	1.5+2.0+2.5+2.5	1.52	2.02	2.53	2.53	2.67	8.60	10.72	0.52	1.86	2.29	2.37	8.52	10.48	95
	1.5+2.0+2.5+3.5	1.36	1.81	2.26	3.17	2.98	8.60	10.83	0.59	1.80	2.35	2.71	8.24	10.74	95
	1.5+2.0+2.5+4.2	1.26	1.69	2.11	3.54	2.98	8.60	10.84	0.58	1.80	2.35	2.67	8.24	10.74	95
	1.5+2.0+2.5+5.0	1.17	1.56	1.95	3.91	3.10	8.60	11.09	0.59	1.79	2.34	2.71	8.20	10.69	95
	1.5+2.0+3.5+3.5	1.23	1.64	2.87	2.87	3.18	8.60	10.93	0.64	1.78	2.37	2.93	8.15	10.86	95
	1.5+2.5+2.5+2.5	1.43	2.39	2.39	2.39	2.77	8.60	10.73	0.55	1.85	2.29	2.50	8.47	10.48	95
	1.5+2.5+2.5+3.5	1.29	2.15	2.15	3.01	3.08	8.60	10.92	0.62	1.79	2.38	2.84	8.20	10.91	95
	1.5+2.5+2.5+4.2	1.21	2.01	2.01	3.38	2.98	8.60	11.01	0.58	1.78	2.41	2.67	8.15	11.03	95
	1.5+2.5+3.5+3.5	1.17	1.95	2.74	2.74	3.18	8.60	11.02	0.64	1.76	2.41	2.93	8.06	11.03	95
	2.0+2.0+2.0+2.0	2.15	2.15	2.15	2.15	2.47	8.60	10.81	0.49	1.86	2.40	2.24	8.52	10.99	95
	2.0+2.0+2.0+2.5	2.02	2.02	2.02	2.53	2.57	8.60	10.90	0.50	1.86	2.36	2.28	8.52	10.82	95
	2.0+2.0+2.0+3.5	1.81	1.81	1.81	3.17	2.77	8.60	11.00	0.54	1.79	2.42	2.45	8.20	11.07	95
	2.0+2.0+2.0+4.2	1.69	1.69	1.69	3.54	2.78	8.60	11.01	0.53	1.80	2.42	2.41	8.24	11.07	95
	2.0+2.0+2.0+5.0	1.56	1.56	1.56	3.91	3.10	8.60	11.08	0.59	1.78	2.34	2.71	8.15	10.69	95
	2.0+2.0+2.5+2.5	1.91	1.91	2.39	2.39	2.67	8.60	10.91	0.52	1.85	2.36	2.37	8.47	10.82	95
	2.0+2.0+2.5+3.5	1.72	1.72	2.15	3.01	2.98	8.60	11.01	0.56	1.78	2.42	2.58	8.15	11.07	95
	2.0+2.0+2.5+4.2	1.61	1.61	2.01	3.38	2.98	8.60	11.01	0.56	1.78	2.42	2.58	8.15	11.07	95
2.0+2.0+3.5+3.5	1.56	1.56	2.74	2.74	3.18	8.60	11.12	0.61	1.76	2.45	2.80	8.06	11.20	95	
2.0+2.5+2.5+2.5	1.81	2.26	2.26	2.26	2.77	8.60	10.91	0.54	1.84	2.36	2.45	8.43	10.82	95	
2.0+2.5+2.5+3.5	1.64	2.05	2.05	2.87	3.08	8.60	11.11	0.59	1.78	2.46	2.71	8.15	11.24	95	
2.5+2.5+2.5+2.5	2.15	2.15	2.15	2.15	2.88	8.60	11.10	0.54	1.84	2.38	2.45	8.43	10.91	95	
2.5+2.5+2.5+3.5	1.95	1.95	1.95	2.74	3.18	8.60	11.11	0.60	1.79	2.37	2.75	8.20	10.86	95	

Notes

- The total capacity of each connected indoor unit is up to 11.0kW.
- The values above are for connecting with the following indoor unit types:
1.5,2.0,2.5,3.5,4.2,5.0,6.0 kW class
Wall-mounted CTXM-M,FTXM-M series
- Heating capacity conditions
Indoor temperature 20°C DB
Outdoor temperature 7°C DB / 6°C WB
- Editable data for this drawing are available in the GDE(E-BOM) system.
- For additional information on the connection of the DHW generator for Multi and the Hybrid for Multi, see 3D106169.

3D105394

4 Combination table

4 - 1 Combination Table

4MXM80N

Cooling (50Hz 230V)

Outdoor unit	Indoor unit	Cooling capacity [kW]				Total capacity [kW]			Power input [kW]			Total current [A]			Power factor [%]
		Room A	Room B	Room C	Room D	Min.	Nom.	Max.	Min.	Nom.	Max.	Min.	Nom.	Max.	
4MXM80N*	1,5	1,80	---	---	---	1,73	1,80	2,89	0,42	0,52	1,00	1,91	2,38	4,57	95
	2,0	2,00	---	---	---	1,78	2,00	3,05	0,45	0,60	1,04	2,04	2,75	4,75	95
	2,5	2,50	---	---	---	1,85	2,50	3,59	0,48	0,78	1,31	2,18	3,57	5,99	95
	3,5	3,50	---	---	---	1,89	3,50	4,95	0,48	1,19	1,52	2,18	5,45	6,97	95
	4,2	---	4,20	---	---	1,94	4,20	5,02	0,49	1,43	1,53	2,22	6,55	7,01	95
	5,0	---	5,00	---	---	2,05	5,00	5,76	0,46	1,67	1,76	2,09	7,65	8,04	95
	6,0	---	6,00	---	---	2,15	6,00	6,73	0,46	2,01	2,36	2,09	9,20	10,79	95
	7,1	---	7,10	---	---	2,26	7,10	7,41	0,49	2,71	2,75	2,22	12,41	12,56	95
	1.5+1.5	1,50	1,50	---	---	1,87	3,00	4,11	0,42	0,47	0,97	1,94	2,16	4,44	95
	1.5+2.0	1,50	2,00	---	---	1,89	3,50	4,60	0,46	0,57	1,14	2,11	2,61	5,21	95
	1.5+2.5	1,50	2,50	---	---	1,95	4,00	5,07	0,42	0,69	1,23	1,94	3,16	5,62	95
	1.5+3.5	1,50	3,50	---	---	2,05	5,00	5,95	0,42	0,93	1,62	1,94	4,26	7,41	95
	1.5+4.2	1,50	4,20	---	---	2,12	5,70	6,51	0,46	1,14	1,87	2,11	5,22	8,55	95
	1.5+5.0	1,50	5,00	---	---	2,20	6,50	7,09	0,47	1,35	2,23	2,15	6,18	10,22	95
	1.5+6.0	1,48	5,92	---	---	2,32	7,40	7,74	0,51	1,64	2,38	2,32	7,51	10,88	95
	1.5+7.1	1,40	6,60	---	---	2,47	8,00	8,35	0,54	1,85	2,74	2,48	8,47	12,55	95
	2.0+2.0	2,00	2,00	---	---	1,95	4,00	5,41	0,46	0,68	1,49	2,11	3,12	6,80	95
	2.0+2.5	2,00	2,50	---	---	2,00	4,50	5,84	0,46	0,82	1,58	2,11	3,76	7,21	95
	2.0+3.5	2,00	3,50	---	---	2,10	5,50	6,44	0,46	1,06	2,17	2,11	4,86	9,94	95
	2.0+4.2	2,00	4,20	---	---	2,17	6,20	6,91	0,46	1,27	2,28	2,11	5,82	10,43	95
	2.0+5.0	2,00	5,00	---	---	2,25	7,00	7,45	0,47	1,47	2,46	2,15	6,73	11,24	95
	2.0+6.0	1,85	5,55	---	---	2,39	7,40	8,06	0,51	1,61	2,55	2,32	7,37	11,69	95
	2.0+7.1	1,76	6,24	---	---	2,53	8,00	8,62	0,54	1,76	2,93	2,48	8,06	13,40	95
	2.5+2.5	2,50	2,50	---	---	2,05	5,00	6,24	0,42	0,92	2,17	1,94	4,22	9,94	95
	2.5+3.5	2,50	3,50	---	---	2,15	6,00	6,73	0,46	1,24	2,12	2,11	5,68	9,69	95
	2.5+4.2	2,50	4,20	---	---	2,22	6,70	7,25	0,46	1,39	2,34	2,11	6,37	10,71	95
	2.5+5.0	2,47	4,93	---	---	2,32	7,40	7,74	0,50	1,61	2,63	2,27	7,37	12,06	95
	2.5+6.0	2,35	5,65	---	---	2,46	8,00	8,32	0,54	1,76	2,73	2,48	8,06	12,50	95
	2.5+7.1	2,08	5,92	---	---	2,60	8,00	8,83	0,54	1,79	3,05	2,48	8,20	13,97	95
	3.5+3.5	3,50	3,50	---	---	2,25	7,00	7,45	0,46	1,47	2,56	2,11	6,73	11,73	95
	3.5+4.2	3,50	4,20	---	---	2,35	7,70	7,88	0,50	1,69	2,74	2,27	7,74	12,55	95
	3.5+5.0	3,29	4,71	---	---	2,46	8,00	8,32	0,53	1,75	3,00	2,44	8,01	13,73	95
	3.5+6.0	2,95	5,05	---	---	2,58	8,00	8,79	0,54	1,73	3,66	2,48	7,92	16,74	95
	3.5+7.1	2,64	5,36	---	---	2,74	8,00	8,48	0,58	1,87	2,80	2,65	8,56	12,83	95
	4.2+4.2	---	4,00	4,00	---	2,44	8,00	8,27	0,53	1,81	3,04	2,44	8,29	13,93	95
	4.2+5.0	---	3,65	4,35	---	2,54	8,00	8,65	0,53	1,77	3,20	2,44	8,11	14,62	95
	4.2+6.0	---	3,29	4,71	---	2,68	8,00	9,07	0,58	1,82	3,26	2,65	8,33	14,91	95
	4.2+7.1	---	2,97	5,03	---	2,83	8,00	9,34	0,62	1,87	3,40	2,82	8,56	15,56	95
	5.0+5.0	---	4,00	4,00	---	2,65	8,00	8,83	0,57	1,74	3,22	2,61	7,97	14,75	95
	5.0+6.0	---	3,64	4,36	---	2,79	8,00	9,32	0,62	1,72	3,28	2,82	7,88	15,03	95

Notes

- The total capacity of each connected indoor unit is up to 14.5kW.
- The values above are for connecting with the following indoor unit types:
1.5,2.0,2.5,3.5,4.2,5.0,6.0,7.1 kW class
Wall-mounted CTXM-M,FTXM-M series
- Cooling capacity conditions
Indoor temperature 27°C DB / 19°C WB
Outdoor temperature 35°C DB
- Editable data for this drawing are available in the GDE(E-BOM) system.
- For additional information on the connection of the DHW generator for Multi and the Hybrid for Multi, see 3D106169.

3D105399

4 Combination table

4 - 1 Combination Table

4

4MXM80N

Cooling (50Hz 230V)

Outdoor unit	Indoor unit	Cooling capacity [kW]				Total capacity [kW]			Power input [kW]			Total current [A]			Power factor [%]
		Room A	Room B	Room C	Room D	Min.	Nom.	Max.	Min.	Nom.	Max.	Min.	Nom.	Max.	
4MXM80N*	5.0+7.1	---	3,31	4,69	---	2,94	8,00	9,54	0,62	1,70	3,43	2,82	7,79	15,68	95
	6.0+6.0	---	4,36	3,64	---	2,93	8,00	9,58	0,62	1,71	3,20	2,82	7,83	14,66	95
	6.0+7.1	---	3,66	4,34	---	3,08	8,00	9,74	0,65	1,70	3,35	2,99	7,79	15,32	95
	7.1+7.1	---	4,00	4,00	---	3,23	8,00	9,79	0,69	1,70	3,36	3,16	7,79	15,36	95
	1.5+1.5+1.5	1,50	1,50	1,50	---	2,00	4,50	5,52	0,44	0,76	1,31	2,02	3,48	5,99	95
	1.5+1.5+2.0	1,50	1,50	2,00	---	2,05	5,00	5,95	0,48	0,87	1,49	2,19	3,99	6,80	95
	1.5+1.5+2.5	1,50	1,50	2,50	---	2,10	5,50	6,35	0,48	0,98	1,68	2,19	4,49	7,70	95
	1.5+1.5+3.5	1,50	1,50	3,50	---	2,20	6,50	7,09	0,48	1,24	2,04	2,19	5,68	9,33	95
	1.5+1.5+4.2	1,50	1,50	4,20	---	2,28	7,20	7,56	0,48	1,43	2,26	2,19	6,55	10,35	95
	1.5+1.5+5.0	1,39	1,39	4,63	---	2,39	7,40	8,04	0,52	1,53	2,45	2,36	7,01	11,20	95
	1.5+1.5+6.0	1,33	1,33	5,33	---	2,52	8,00	8,55	0,55	1,73	2,54	2,53	7,92	11,61	95
	1.5+1.5+7.1	1,19	1,19	5,62	---	2,67	8,00	9,02	0,59	1,81	2,79	2,69	8,29	12,79	95
	1.5+2.0+2.0	1,50	2,00	2,00	---	2,10	5,50	6,35	0,48	0,98	1,68	2,19	4,49	7,70	95
	1.5+2.0+2.5	1,50	2,00	2,50	---	2,15	6,00	6,73	0,48	1,10	1,83	2,19	5,04	8,39	95
	1.5+2.0+3.5	1,50	2,00	3,50	---	2,25	7,00	7,43	0,48	1,36	2,21	2,19	6,23	10,10	95
	1.5+2.0+4.2	1,50	2,00	4,20	---	2,35	7,70	7,86	0,51	1,62	2,44	2,32	7,42	11,16	95
	1.5+2.0+5.0	1,41	1,88	4,71	---	2,46	8,00	8,30	0,54	1,72	2,63	2,48	7,88	12,02	95
	1.5+2.0+6.0	1,26	1,68	5,05	---	2,58	8,00	8,77	0,55	1,71	2,67	2,53	7,83	12,22	95
	1.5+2.0+7.1	1,13	1,51	5,36	---	2,74	8,00	9,19	0,59	1,85	2,93	2,69	8,47	13,40	95
	1.5+2.5+2.5	1,50	2,50	2,50	---	2,20	6,50	7,09	0,48	1,24	2,04	2,19	5,68	9,33	95
	1.5+2.5+3.5	1,48	2,47	3,45	---	2,32	7,40	7,74	0,51	1,51	2,38	2,32	6,92	10,88	95
	1.5+2.5+4.2	1,46	2,44	4,10	---	2,42	8,00	8,15	0,51	1,75	2,62	2,32	8,01	11,98	95
	1.5+2.5+5.0	1,33	2,22	4,44	---	2,52	8,00	8,55	0,54	1,72	2,76	2,48	7,88	12,63	95
	1.5+2.5+6.0	1,20	2,00	4,80	---	2,65	8,00	8,98	0,55	1,81	2,79	2,53	8,29	12,79	95
	1.5+2.5+7.1	1,08	1,80	5,12	---	2,80	8,00	9,34	0,59	1,85	3,00	2,69	8,47	13,73	95
	1.5+3.5+3.5	1,41	3,29	3,29	---	2,46	8,00	8,30	0,54	1,76	2,74	2,48	8,06	12,55	95
	1.5+3.5+4.2	1,30	3,04	3,65	---	2,54	8,00	8,64	0,54	1,75	2,93	2,48	8,01	13,40	95
	1.5+3.5+5.0	1,20	2,80	4,00	---	2,65	8,00	8,98	0,58	1,81	3,08	2,65	8,29	14,09	95
	1.5+3.5+6.0	1,09	2,55	4,36	---	2,79	8,00	9,31	0,59	1,85	3,00	2,69	8,47	13,73	95
	1.5+3.5+7.1	0,99	2,31	4,69	---	2,94	8,00	9,58	0,62	1,83	3,21	2,82	8,38	14,70	95
	1.5+4.2+4.2	1,21	3,39	3,39	---	2,64	8,00	8,94	0,58	1,74	3,12	2,65	7,97	14,30	95
	1.5+4.2+5.0	1,12	3,14	3,74	---	2,75	8,00	9,22	0,58	1,71	3,21	2,65	7,83	14,70	95
	1.5+4.2+6.0	1,03	2,87	4,10	---	2,89	8,00	9,49	0,62	1,69	3,14	2,82	7,74	14,38	95
	1.5+4.2+7.1	0,94	2,63	4,44	---	3,04	8,00	9,69	0,65	1,67	3,28	2,99	7,65	15,03	95
	1.5+5.0+5.0	1,04	3,48	3,48	---	2,86	8,00	9,45	0,62	1,61	3,31	2,82	7,37	15,15	95
	1.5+5.0+6.0	0,96	3,20	3,84	---	3,00	8,00	9,64	0,63	1,60	3,16	2,86	7,33	14,46	95
	1.5+5.0+7.1	0,88	2,94	4,18	---	3,15	8,00	9,76	0,65	1,59	3,23	2,99	7,28	14,79	95
	1.5+6.0+6.0	0,89	3,56	3,56	---	3,13	8,00	9,75	0,66	1,60	2,93	3,03	7,33	13,40	95
	2.0+2.0+2.0	2,00	2,00	2,00	---	2,15	6,00	6,76	0,48	1,10	1,89	2,19	5,04	8,64	95
	2.0+2.0+2.5	2,00	2,00	2,50	---	2,20	6,50	7,09	0,48	1,24	2,04	2,19	5,68	9,33	95

Notes

- The total capacity of each connected indoor unit is up to 14.5kW.
- The values above are for connecting with the following indoor unit types:
1.5,2.0,2.5,3.5,4.2,5.0,6.0,7.1 kW class
Wall-mounted CTXM-M,FTXM-M series
- Cooling capacity conditions
Indoor temperature 27°C DB / 19°C WB
Outdoor temperature 35°C DB
- Editable data for this drawing are available in the GDE(E-BOM) system.
- For additional information on the connection of the DHW generator for Multi and the Hybrid for Multi, see 3D106169.

3D105400

4 Combination table

4 - 1 Combination Table

4MXM80N

Cooling (50Hz 230V)

Outdoor unit	Indoor unit	Cooling capacity [kW]				Total capacity [kW]			Power input [kW]			Total current [A]			Power factor [%]
		Room A	Room B	Room C	Room D	Min.	Nom.	Max.	Min.	Nom.	Max.	Min.	Nom.	Max.	
4MXM80N*	2.0+2.0+3.5	1,97	1,97	3,45	---	2,32	7,40	7,76	0,51	1,51	2,38	2,32	6,92	10,88	95
	2.0+2.0+4.2	1,95	1,95	4,10	---	2,42	8,00	8,17	0,51	1,75	2,55	2,32	8,01	11,69	95
	2.0+2.0+5.0	1,78	1,78	4,44	---	2,52	8,00	8,57	0,54	1,72	2,82	2,48	7,88	12,91	95
	2.0+2.0+6.0	1,60	1,60	4,80	---	2,65	8,00	9,00	0,55	1,81	2,79	2,53	8,29	12,79	95
	2.0+2.0+7.1	1,44	1,44	5,12	---	2,80	8,00	9,36	0,59	1,83	3,07	2,69	8,38	14,05	95
	2.0+2.5+2.5	2,00	2,50	2,50	---	2,25	7,00	7,45	0,48	1,36	2,21	2,19	6,23	10,10	95
	2.0+2.5+3.5	1,85	2,31	3,24	---	2,39	7,40	8,06	0,51	1,50	2,55	2,32	6,87	11,69	95
	2.0+2.5+4.2	1,84	2,30	3,86	---	2,48	8,00	8,43	0,54	1,75	2,68	2,48	8,01	12,26	95
	2.0+2.5+5.0	1,68	2,11	4,21	---	2,58	8,00	8,79	0,54	1,72	2,95	2,48	7,88	13,48	95
	2.0+2.5+6.0	1,52	1,90	4,57	---	2,72	8,00	9,17	0,59	1,84	2,93	2,69	8,43	13,40	95
	2.0+2.5+7.1	1,38	1,72	4,90	---	2,87	8,00	9,49	0,62	1,83	3,14	2,82	8,38	14,38	95
	2.0+3.5+3.5	1,78	3,11	3,11	---	2,52	8,00	8,57	0,54	1,74	2,87	2,48	7,97	13,12	95
	2.0+3.5+4.2	1,65	2,89	3,46	---	2,61	8,00	8,87	0,58	1,79	3,00	2,65	8,20	13,73	95
	2.0+3.5+5.0	1,52	2,67	3,81	---	2,72	8,00	9,17	0,58	1,83	3,21	2,65	8,38	14,70	95
	2.0+3.5+6.0	1,39	2,43	4,17	---	2,86	8,00	9,47	0,62	1,83	3,13	2,82	8,38	14,34	95
	2.0+3.5+7.1	1,27	2,22	4,51	---	3,01	8,00	9,28	0,62	1,81	2,94	2,82	8,29	13,44	95
	2.0+4.2+4.2	1,54	3,23	3,23	---	2,71	8,00	9,17	0,58	1,80	3,26	2,65	8,24	14,91	95
	2.0+4.2+5.0	1,43	3,00	3,57	---	2,82	8,00	9,41	0,62	1,84	3,36	2,82	8,43	15,36	95
	2.0+4.2+6.0	1,31	2,75	3,93	---	2,95	8,00	9,64	0,62	1,81	3,20	2,82	8,29	14,66	95
	2.0+4.2+7.1	1,20	2,53	4,27	---	3,11	8,00	9,79	0,65	1,79	3,28	2,99	8,20	15,03	95
	2.0+5.0+5.0	1,33	3,33	3,33	---	2,93	8,00	9,58	0,62	1,74	3,38	2,82	7,97	15,48	95
	2.0+5.0+6.0	1,23	3,08	3,69	---	3,06	8,00	9,73	0,65	1,72	3,23	2,99	7,88	14,79	95
	2.0+5.0+7.1	1,13	2,84	4,03	---	3,22	8,00	9,79	0,65	1,70	3,23	2,99	7,79	14,79	95
	2.0+6.0+6.0	1,14	3,43	3,43	---	3,20	8,00	9,79	0,66	1,71	3,00	3,03	7,83	13,73	95
	2.5+2.5+2.5	2,47	2,47	2,47	---	2,32	7,40	7,76	0,51	1,50	2,38	2,32	6,87	10,88	95
	2.5+2.5+3.5	2,35	2,35	3,29	---	2,46	8,00	8,32	0,54	1,74	2,74	2,48	7,97	12,55	95
	2.5+2.5+4.2	2,17	2,17	3,65	---	2,54	8,00	8,66	0,54	1,73	2,93	2,48	7,92	13,40	95
	2.5+2.5+5.0	2,00	2,00	4,00	---	2,65	8,00	9,00	0,58	1,81	3,08	2,65	8,29	14,09	95
	2.5+2.5+6.0	1,82	1,82	4,36	---	2,79	8,00	9,33	0,59	1,83	3,07	2,69	8,38	14,05	95
	2.5+2.5+7.1	1,65	1,65	4,69	---	2,94	8,00	9,60	0,62	1,81	3,21	2,82	8,29	14,70	95
	2.5+3.5+3.5	2,11	2,95	2,95	---	2,58	8,00	8,51	0,54	1,73	2,68	2,48	7,92	12,26	95
	2.5+3.5+4.2	1,96	2,75	3,29	---	2,68	8,00	9,07	0,58	1,81	3,06	2,65	8,29	14,01	95
	2.5+3.5+5.0	1,82	2,55	3,64	---	2,79	8,00	9,33	0,62	1,81	3,28	2,82	8,29	15,03	95
	2.5+3.5+6.0	1,67	2,33	4,00	---	2,93	8,00	9,58	0,62	1,79	3,20	2,82	8,20	14,66	95
	2.5+3.5+7.1	1,53	2,14	4,34	---	3,08	8,00	9,28	0,65	1,77	2,94	2,99	8,11	13,44	95
	2.5+4.2+4.2	1,83	3,08	3,08	---	2,78	8,00	9,20	0,62	1,87	3,27	2,82	8,56	14,95	95
	2.5+4.2+5.0	1,71	2,87	3,42	---	2,89	8,00	9,54	0,62	1,82	3,43	2,82	8,33	15,68	95
	2.5+4.2+6.0	1,57	2,65	3,78	---	3,02	8,00	9,72	0,62	1,80	3,28	2,82	8,24	14,99	95
	2.5+4.2+7.1	1,45	2,43	4,12	---	3,17	8,00	9,82	0,65	1,78	3,36	2,99	8,15	15,36	95
	2.5+5.0+5.0	1,60	3,20	3,20	---	3,00	8,00	9,66	0,65	1,73	3,45	2,99	7,92	15,80	95

Notes

1. The total capacity of each connected indoor unit is up to 14.5kW.
2. The values above are for connecting with the following indoor unit types:
2.0,2.5,3.5,4.2,5.0,6.0,7.1 kW class
Wall-mounted CTXM-M,FTXM-M series
3. Cooling capacity conditions
Indoor temperature 27°C DB / 19°C WB
Outdoor temperature 35°C DB
4. Editable data for this drawing are available in the GDE(E-BOM) system.
5. For additional information on the connection of the DHW generator for Multi and the Hybrid for Multi, see 3D106169.

3D105401

4 Combination table

4 - 1 Combination Table

4

4MXM80N

Cooling (50Hz 230V)

Outdoor unit	Indoor unit	Cooling capacity [kW]				Total capacity [kW]			Power input [kW]			Total current [A]			Power factor [%]	
		Room A	Room B	Room C	Room D	Min.	Nom.	Max.	Min.	Nom.	Max.	Min.	Nom.	Max.		
4MXM80N*	2.5+5.0+6.0	1,48	2,96	3,56	---	3,13	8,00	9,77	0,65	1,71	3,23	2,99	7,83	14,79	95	
	2.5+6.0+6.0	1,38	3,31	3,31	---	3,27	8,00	9,79	0,66	1,70	3,00	3,03	7,79	13,73	95	
	3.5+3.5+3.5	2,67	2,67	2,67	---	2,72	8,00	8,84	0,58	1,79	2,80	2,65	8,20	12,83	95	
	3.5+3.5+4.2	2,50	2,50	3,00	---	2,82	8,00	9,48	0,62	1,86	3,26	2,82	8,52	14,91	95	
	3.5+3.5+5.0	2,33	2,33	3,33	---	2,93	8,00	9,54	0,62	1,81	3,43	2,82	8,29	15,68	95	
	3.5+3.5+6.0	2,15	2,15	3,69	---	3,06	8,00	9,29	0,65	1,79	3,00	2,99	8,20	13,73	95	
	3.5+3.5+7.1	1,99	1,99	4,03	---	3,22	8,00	9,79	0,69	1,77	3,36	3,16	8,11	15,36	95	
	3.5+4.2+4.2	2,35	2,82	2,82	---	2,91	8,00	9,36	0,62	1,85	3,40	2,82	8,47	15,56	95	
	3.5+4.2+5.0	2,20	2,65	3,15	---	3,02	8,00	9,55	0,65	1,81	3,43	2,99	8,29	15,68	95	
	3.5+4.2+6.0	2,04	2,45	3,50	---	3,16	8,00	9,78	0,65	1,79	3,36	2,99	8,20	15,36	95	
	3.5+5.0+5.0	2,07	2,96	2,96	---	3,13	8,00	9,74	0,65	1,71	3,45	2,99	7,83	15,80	95	
	3.5+5.0+6.0	1,93	2,76	3,31	---	3,27	8,00	9,79	0,69	1,70	3,23	3,16	7,79	14,79	95	
	4.2+4.2+4.2	---	2,67	2,67	2,67	---	3,01	8,00	9,37	0,65	1,84	3,40	2,99	8,43	15,56	95
	4.2+4.2+5.0	---	2,51	2,51	2,99	---	3,12	8,00	9,56	0,65	1,80	3,43	2,99	8,24	15,68	95
	4.2+4.2+6.0	---	2,33	2,33	3,33	---	3,26	8,00	9,79	0,69	1,78	3,36	3,16	8,15	15,36	95
	4.2+5.0+5.0	---	2,37	2,82	2,82	---	3,23	8,00	9,75	0,69	1,79	3,45	3,16	8,20	15,80	95
	1.5+1.5+1.5+1.5	1,50	1,50	1,50	1,50	---	2,15	6,00	6,73	0,49	1,08	1,54	2,23	4,95	7,05	95
	1.5+1.5+1.5+2.0	1,50	1,50	1,50	2,00	---	2,20	6,50	7,09	0,49	1,21	1,69	2,23	5,54	7,74	95
	1.5+1.5+1.5+2.5	1,50	1,50	1,50	2,50	---	2,25	7,00	7,43	0,49	1,34	1,84	2,23	6,14	8,43	95
	1.5+1.5+1.5+3.5	1,39	1,39	1,39	3,24	---	2,39	7,40	8,04	0,52	1,62	2,12	2,36	7,42	9,69	95
	1.5+1.5+1.5+4.2	1,38	1,38	1,38	3,86	---	2,48	8,00	8,40	0,52	1,99	2,30	2,36	9,11	10,51	95
	1.5+1.5+1.5+5.0	1,26	1,26	1,26	4,21	---	2,58	8,00	8,77	0,55	1,95	2,55	2,53	8,93	11,69	95
	1.5+1.5+1.5+6.0	1,14	1,14	1,14	4,57	---	2,72	8,00	9,15	0,56	2,21	2,59	2,57	10,12	11,85	95
	1.5+1.5+1.5+7.1	1,03	1,03	1,03	4,90	---	2,87	8,00	9,47	0,59	2,18	2,72	2,69	9,98	12,46	95
	1.5+1.5+2.0+2.0	1,50	1,50	2,00	2,00	---	2,25	7,00	7,43	0,49	1,34	1,84	2,23	6,14	8,43	95
	1.5+1.5+2.0+2.5	1,48	1,48	1,97	2,47	---	2,32	7,40	7,74	0,52	1,62	1,96	2,36	7,42	8,96	95
	1.5+1.5+2.0+3.5	1,41	1,41	1,88	3,29	---	2,46	8,00	8,30	0,52	1,99	2,23	2,36	9,11	10,22	95
	1.5+1.5+2.0+4.2	1,30	1,30	1,74	3,65	---	2,54	8,00	8,64	0,55	1,98	2,42	2,53	9,07	11,08	95
	1.5+1.5+2.0+5.0	1,20	1,20	1,60	4,00	---	2,65	8,00	8,98	0,55	2,15	2,68	2,53	9,84	12,26	95
	1.5+1.5+2.0+6.0	1,09	1,09	1,45	4,36	---	2,79	8,00	9,31	0,59	2,18	2,65	2,69	9,98	12,14	95
	1.5+1.5+2.0+7.1	0,99	0,99	1,32	4,69	---	2,94	8,00	9,58	0,63	2,15	2,79	2,86	9,84	12,79	95
	1.5+1.5+2.5+2.5	1,39	1,39	2,31	2,31	---	2,39	7,40	8,04	0,52	1,62	2,12	2,36	7,42	9,69	95
	1.5+1.5+2.5+3.5	1,33	1,33	2,22	3,11	---	2,52	8,00	8,55	0,55	1,98	2,55	2,53	9,07	11,65	95
	1.5+1.5+2.5+4.2	1,24	1,24	2,06	3,46	---	2,61	8,00	8,85	0,55	2,18	2,73	2,53	9,98	12,50	95
	1.5+1.5+2.5+5.0	1,14	1,14	1,90	3,81	---	2,72	8,00	9,15	0,59	2,20	2,81	2,69	10,07	12,87	95
	1.5+1.5+2.5+6.0	1,04	1,04	1,74	4,17	---	2,86	8,00	9,45	0,59	2,22	2,72	2,69	10,17	12,46	95
	1.5+1.5+2.5+7.1	0,95	0,95	1,59	4,51	---	3,01	8,00	9,66	0,63	2,19	2,86	2,86	10,03	13,08	95
	1.5+1.5+3.5+3.5	1,20	1,20	2,80	2,80	---	2,65	8,00	8,98	0,55	2,18	2,80	2,53	9,98	12,83	95
	1.5+1.5+3.5+4.2	1,12	1,12	2,62	3,14	---	2,75	8,00	9,22	0,59	2,26	2,94	2,69	10,35	13,44	95
	1.5+1.5+3.5+5.0	1,04	1,04	2,43	3,48	---	2,86	8,00	9,45	0,59	2,20	3,02	2,69	10,07	13,81	95

Notes

- The total capacity of each connected indoor unit is up to 14.5kW.
- The values above are for connecting with the following indoor unit types:
1.5,2.0,2.5,3.5,4.2,5.0,6.0,7.1 kW class
Wall-mounted CTXM-M,FTXM-M series
- Cooling capacity conditions
Indoor temperature 27°C DB / 19°C WB
Outdoor temperature 35°C DB
- Editable data for this drawing are available in the GDE(E-BOM) system.
- For additional information on the connection of the DHW generator for Multi and the Hybrid for Multi, see 3D106169.

3D105402

4 Combination table

4 - 1 Combination Table

4MXM80N

Cooling (50Hz 230V)

Outdoor unit	Indoor unit	Cooling capacity [kW]				Total capacity [kW]			Power input [kW]			Total current [A]			Power factor [%]
		Room A	Room B	Room C	Room D	Min.	Nom.	Max.	Min.	Nom.	Max.	Min.	Nom.	Max.	
4MXM80N*	1.5+1.5+3.5+6.0	0,96	0,96	2,24	3,84	3,00	8,00	9,64	0,63	2,17	2,86	2,86	9,94	13,08	95
	1.5+1.5+3.5+7.1	0,88	0,88	2,06	4,18	3,15	8,00	9,76	0,66	2,14	2,93	3,03	9,80	13,40	95
	1.5+1.5+4.2+4.2	1,05	1,05	2,95	2,95	2,84	8,00	9,41	0,59	2,25	3,07	2,69	10,30	14,05	95
	1.5+1.5+4.2+5.0	0,98	0,98	2,75	3,28	2,95	8,00	9,59	0,63	2,18	3,09	2,86	9,98	14,13	95
	1.5+1.5+4.2+6.0	0,91	0,91	2,55	3,64	3,09	8,00	9,73	0,63	2,15	2,93	2,86	9,84	13,40	95
	1.5+1.5+4.2+7.1	0,84	0,84	2,35	3,97	3,24	8,00	9,77	0,66	2,13	2,93	3,03	9,75	13,40	95
	1.5+1.5+5.0+5.0	0,92	0,92	3,08	3,08	3,06	8,00	9,71	0,63	2,05	3,04	2,86	9,39	13,93	95
	1.5+1.5+5.0+6.0	0,86	0,86	2,86	3,43	3,20	8,00	9,77	0,66	2,02	2,87	3,03	9,25	13,16	95
	1.5+2.0+2.0+2.0	1,48	1,97	1,97	1,97	2,32	7,40	7,74	0,52	1,62	1,96	2,36	7,42	8,96	95
	1.5+2.0+2.0+2.5	1,39	1,85	1,85	2,31	2,39	7,40	8,04	0,52	1,62	2,12	2,36	7,42	9,69	95
	1.5+2.0+2.0+3.5	1,33	1,78	1,78	3,11	2,52	8,00	8,55	0,55	1,98	2,36	2,53	9,07	10,79	95
	1.5+2.0+2.0+4.2	1,24	1,65	1,65	3,46	2,61	8,00	8,85	0,55	2,18	2,55	2,53	9,98	11,65	95
	1.5+2.0+2.0+5.0	1,14	1,52	1,52	3,81	2,72	8,00	9,15	0,59	2,21	2,81	2,69	10,12	12,87	95
	1.5+2.0+2.0+6.0	1,04	1,39	1,39	4,17	2,86	8,00	9,45	0,59	2,22	2,72	2,69	10,17	12,46	95
	1.5+2.0+2.0+7.1	0,95	1,27	1,27	4,51	3,01	8,00	9,66	0,63	2,19	2,86	2,86	10,03	13,08	95
	1.5+2.0+2.5+2.5	1,41	1,88	2,35	2,35	2,46	8,00	8,30	0,52	2,00	2,23	2,36	9,16	10,22	95
	1.5+2.0+2.5+3.5	1,26	1,68	2,11	2,95	2,58	8,00	8,77	0,55	1,98	2,67	2,53	9,07	12,22	95
	1.5+2.0+2.5+4.2	1,18	1,57	1,96	3,29	2,68	8,00	9,05	0,59	2,17	2,87	2,69	9,94	13,12	95
	1.5+2.0+2.5+5.0	1,09	1,45	1,82	3,64	2,79	8,00	9,31	0,59	2,23	2,88	2,69	10,21	13,20	95
	1.5+2.0+2.5+6.0	1,00	1,33	1,67	4,00	2,93	8,00	9,56	0,63	2,20	2,79	2,86	10,07	12,75	95
	1.5+2.0+2.5+7.1	0,92	1,22	1,53	4,34	3,08	8,00	9,72	0,63	2,17	2,93	2,86	9,94	13,40	95
	1.5+2.0+3.5+3.5	1,14	1,52	2,67	2,67	2,72	8,00	9,15	0,59	2,21	2,94	2,69	10,12	13,44	95
	1.5+2.0+3.5+4.2	1,07	1,43	2,50	3,00	2,82	8,00	9,36	0,59	2,25	3,07	2,69	10,30	14,05	95
	1.5+2.0+3.5+5.0	1,00	1,33	2,33	3,33	2,93	8,00	9,56	0,63	2,18	3,09	2,86	9,98	14,13	95
	1.5+2.0+3.5+6.0	0,92	1,23	2,15	3,69	3,06	8,00	9,71	0,63	2,15	2,93	2,86	9,84	13,40	95
	1.5+2.0+3.5+7.1	0,85	1,13	1,99	4,03	3,22	8,00	9,77	0,66	2,13	2,93	3,03	9,75	13,40	95
	1.5+2.0+4.2+4.2	1,01	1,34	2,82	2,82	2,91	8,00	9,54	0,62	2,23	3,14	2,82	10,21	14,38	95
	1.5+2.0+4.2+5.0	0,94	1,26	2,65	3,15	3,02	8,00	9,67	0,63	2,17	3,16	2,86	9,94	14,46	95
	1.5+2.0+4.2+6.0	0,88	1,17	2,45	3,50	3,16	8,00	9,76	0,66	2,14	2,93	3,03	9,80	13,40	95
	1.5+2.0+5.0+5.0	0,89	1,19	2,96	2,96	3,13	8,00	9,75	0,65	2,06	3,12	2,99	9,43	14,26	95
	1.5+2.0+5.0+6.0	0,83	1,10	2,76	3,31	3,27	8,00	9,77	0,66	2,03	2,87	3,03	9,30	13,16	95
	1.5+2.5+2.5+2.5	1,33	2,22	2,22	2,22	2,52	8,00	8,55	0,55	1,98	2,36	2,53	9,07	10,79	95
	1.5+2.5+2.5+3.5	1,20	2,00	2,00	2,80	2,65	8,00	8,98	0,55	2,17	2,79	2,53	9,94	12,79	95
	1.5+2.5+2.5+4.2	1,12	1,87	1,87	3,14	2,75	8,00	9,22	0,59	2,23	2,94	2,69	10,21	13,44	95
	1.5+2.5+2.5+5.0	1,04	1,74	1,74	3,48	2,86	8,00	9,45	0,59	2,17	3,02	2,69	9,94	13,81	95
	1.5+2.5+2.5+6.0	0,96	1,60	1,60	3,84	3,00	8,00	9,64	0,63	2,14	2,86	2,86	9,80	13,08	95
	1.5+2.5+2.5+7.1	0,88	1,47	1,47	4,18	3,15	8,00	9,76	0,66	2,12	2,93	3,03	9,71	13,40	95
	1.5+2.5+3.5+3.5	1,09	1,82	2,55	2,55	2,79	8,00	9,31	0,59	2,15	3,00	2,69	9,84	13,73	95
	1.5+2.5+3.5+4.2	1,03	1,71	2,39	2,87	2,89	8,00	9,49	0,62	2,14	3,14	2,82	9,80	14,38	95
	1.5+2.5+3.5+5.0	0,96	1,60	2,24	3,20	3,00	8,00	9,64	0,63	2,09	3,09	2,86	9,57	14,13	95

Notes

- The total capacity of each connected indoor unit is up to 14.5kW.
- The values above are for connecting with the following indoor unit types:
1.5,2.0,2.5,3.5,4.2,5.0,6.0,7.1 kW class
Wall-mounted CTXM-M,FTXM-M series
- Cooling capacity conditions
Indoor temperature 27°C DB / 19°C WB
Outdoor temperature 35°C DB
- Editable data for this drawing are available in the GDE(E-BOM) system.
- For additional information on the connection of the DHW generator for Multi and the Hybrid for Multi, see 3D106169.

3D105403

4 Combination table

4 - 1 Combination Table

4

4MXM80N

Cooling (50Hz 230V)

Outdoor unit	Indoor unit	Cooling capacity [kW]				Total capacity [kW]			Power input [kW]			Total current [A]			Power factor [%]
		Room A	Room B	Room C	Room D	Min.	Nom.	Max.	Min.	Nom.	Max.	Min.	Nom.	Max.	
4MXM80N*	1.5+2.5+3.5+6.0	0,89	1,48	2,07	3,56	3,13	8,00	9,75	0,66	2,06	2,93	3,03	9,43	13,40	95
	1.5+2.5+4.2+4.2	0,97	1,61	2,71	2,71	2,98	8,00	9,63	0,62	2,13	3,21	2,82	9,75	14,70	95
	1.5+2.5+4.2+5.0	0,91	1,52	2,55	3,03	3,09	8,00	9,73	0,65	2,08	3,16	2,99	9,52	14,46	95
	1.5+2.5+4.2+6.0	0,85	1,41	2,37	3,38	3,23	8,00	9,77	0,66	2,05	2,93	3,03	9,39	13,40	95
	1.5+2.5+5.0+5.0	0,86	1,43	2,86	2,86	3,20	8,00	9,77	0,65	2,07	3,12	2,99	9,48	14,26	95
	1.5+3.5+3.5+3.5	1,00	2,33	2,33	2,33	2,93	8,00	9,56	0,62	2,14	3,07	2,82	9,80	14,05	95
	1.5+3.5+3.5+4.2	0,94	2,20	2,20	2,65	3,02	8,00	9,67	0,62	2,13	3,21	2,82	9,75	14,70	95
	1.5+3.5+3.5+5.0	0,89	2,07	2,07	2,96	3,13	8,00	9,75	0,65	2,08	3,16	2,99	9,52	14,46	95
	1.5+3.5+3.5+6.0	0,83	1,93	1,93	3,31	3,27	8,00	9,77	0,66	2,05	2,93	3,03	9,39	13,40	95
	1.5+3.5+4.2+4.2	0,90	2,09	2,51	2,51	3,12	8,00	9,74	0,65	2,12	3,28	2,99	9,71	15,03	95
	1.5+3.5+4.2+5.0	0,85	1,97	2,37	2,82	3,23	8,00	9,77	0,65	2,07	3,24	2,99	9,48	14,83	95
	1.5+4.2+4.2+4.2	0,85	2,38	2,38	2,38	3,22	8,00	9,77	0,69	2,11	3,28	3,16	9,66	15,03	95
	2.0+2.0+2.0+2.0	1,85	1,85	1,85	1,85	2,39	7,40	8,06	0,52	1,62	2,12	2,36	7,42	9,69	95
	2.0+2.0+2.0+2.5	1,88	1,88	1,88	2,35	2,46	8,00	8,32	0,52	1,95	2,23	2,36	8,93	10,22	95
	2.0+2.0+2.0+3.5	1,68	1,68	1,68	2,95	2,58	8,00	8,79	0,55	1,94	2,55	2,53	8,88	11,65	95
	2.0+2.0+2.0+4.2	1,57	1,57	1,57	3,29	2,68	8,00	9,07	0,59	2,26	2,67	2,69	10,35	12,22	95
	2.0+2.0+2.0+5.0	1,45	1,45	1,45	3,64	2,79	8,00	9,33	0,59	2,30	2,95	2,69	10,53	13,52	95
	2.0+2.0+2.0+6.0	1,33	1,33	1,33	4,00	2,93	8,00	9,58	0,63	2,26	2,86	2,86	10,35	13,08	95
	2.0+2.0+2.0+7.1	1,22	1,22	1,22	4,34	3,08	8,00	9,74	0,63	2,20	2,93	2,86	10,07	13,40	95
	2.0+2.0+2.5+2.5	1,73	1,73	2,17	2,17	2,52	7,80	8,57	0,55	1,76	2,42	2,53	8,06	11,08	95
	2.0+2.0+2.5+3.5	1,60	1,60	2,00	2,80	2,65	8,00	9,00	0,55	2,21	2,79	2,53	10,12	12,79	95
	2.0+2.0+2.5+4.2	1,50	1,50	1,87	3,14	2,75	8,00	9,24	0,59	2,31	2,94	2,69	10,58	13,44	95
	2.0+2.0+2.5+5.0	1,39	1,39	1,74	3,48	2,86	8,00	9,47	0,59	2,25	3,02	2,69	10,30	13,81	95
	2.0+2.0+2.5+6.0	1,28	1,28	1,60	3,84	3,00	8,00	9,66	0,63	2,21	2,86	2,86	10,12	13,08	95
	2.0+2.0+2.5+7.1	1,18	1,18	1,47	4,18	3,15	8,00	9,78	0,66	2,18	2,93	3,03	9,98	13,40	95
	2.0+2.0+3.5+3.5	1,45	1,45	2,55	2,55	2,79	8,00	9,14	0,59	2,30	2,87	2,69	10,53	13,12	95
	2.0+2.0+3.5+4.2	1,37	1,37	2,39	2,87	2,89	8,00	9,51	0,62	2,28	3,14	2,82	10,44	14,38	95
	2.0+2.0+3.5+5.0	1,28	1,28	2,24	3,20	3,00	8,00	9,66	0,63	2,22	3,16	2,86	10,17	14,46	95
	2.0+2.0+3.5+6.0	1,19	1,19	2,07	3,56	3,13	8,00	9,77	0,66	2,19	2,93	3,03	10,03	13,40	95
	2.0+2.0+4.2+4.2	1,29	1,29	2,71	2,71	2,98	8,00	9,65	0,62	2,27	3,21	2,82	10,39	14,70	95
	2.0+2.0+4.2+5.0	1,21	1,21	2,55	3,03	3,09	8,00	9,75	0,65	2,21	3,16	2,99	10,12	14,46	95
	2.0+2.0+4.2+6.0	1,13	1,13	2,37	3,38	3,23	8,00	9,79	0,66	2,18	2,93	3,03	9,98	13,40	95
	2.0+2.0+5.0+5.0	1,14	1,14	2,86	2,86	3,20	8,00	9,79	0,65	2,20	3,12	2,99	10,07	14,26	95
	2.0+2.5+2.5+2.5	1,68	2,11	2,11	2,11	2,58	8,00	8,79	0,55	1,83	2,54	2,53	8,38	11,61	95
2.0+2.5+2.5+3.5	1,52	1,90	1,90	2,67	2,72	8,00	9,17	0,59	2,21	2,93	2,69	10,12	13,40	95	
2.0+2.5+2.5+4.2	1,43	1,79	1,79	3,00	2,82	8,00	9,38	0,59	2,24	3,07	2,69	10,26	14,05	95	
2.0+2.5+2.5+5.0	1,33	1,67	1,67	3,33	2,93	8,00	9,58	0,63	2,18	3,09	2,86	9,98	14,13	95	
2.0+2.5+2.5+6.0	1,23	1,54	1,54	3,69	3,06	8,00	9,73	0,63	2,15	2,93	2,86	9,84	13,40	95	
2.0+2.5+2.5+7.1	1,13	1,42	1,42	4,03	3,22	8,00	9,79	0,66	2,12	2,93	3,03	9,71	13,40	95	
2.0+2.5+3.5+3.5	1,39	1,74	2,43	2,43	2,86	8,00	9,32	0,62	2,20	3,00	2,82	10,07	13,73	95	

Notes

1. The total capacity of each connected indoor unit is up to 14.5kW.
2. The values above are for connecting with the following indoor unit types:
1.5,2.0,2.5,3.5,4.2,5.0,6.0,7.1 kW class
Wall-mounted CTXM-M,FTXM-M series
3. Cooling capacity conditions
Indoor temperature 27°C DB / 19°C WB
Outdoor temperature 35°C DB
4. Editable data for this drawing are available in the GDE(E-BOM) system.
5. For additional information on the connection of the DHW generator for Multi and the Hybrid for Multi, see 3D106169.

3D105404

4 Combination table

4 - 1 Combination Table

4MXM80N

Cooling (50Hz 230V)

Outdoor unit	Indoor unit	Cooling capacity [kW]				Total capacity [kW]			Power input [kW]			Total current [A]			Power factor [%]
		Room A	Room B	Room C	Room D	Min.	Nom.	Max.	Min.	Nom.	Max.	Min.	Nom.	Max.	
4MXM80N*	2.0+2.5+3.5+4.2	1,31	1,64	2,30	2,75	2,95	8,00	9,66	0,62	2,19	3,21	2,82	10,03	14,70	95
	2.0+2.5+3.5+5.0	1,23	1,54	2,15	3,08	3,06	8,00	9,73	0,65	2,13	3,16	2,99	9,75	14,46	95
	2.0+2.5+3.5+6.0	1,14	1,43	2,00	3,43	3,20	8,00	9,79	0,66	2,10	2,93	3,03	9,62	13,40	95
	2.0+2.5+4.2+4.2	1,24	1,55	2,60	2,60	3,05	8,00	9,72	0,65	2,18	3,28	2,99	9,98	15,03	95
	2.0+2.5+4.2+5.0	1,17	1,46	2,45	2,92	3,16	8,00	9,78	0,65	2,12	3,23	2,99	9,71	14,79	95
	2.0+2.5+5.0+5.0	1,10	1,38	2,76	2,76	3,27	8,00	9,79	0,65	2,11	3,12	2,99	9,66	14,26	95
	2.0+3.5+3.5+3.5	1,28	2,24	2,24	2,24	3,00	8,00	9,41	0,62	2,18	2,94	2,82	9,98	13,44	95
	2.0+3.5+3.5+4.2	1,21	2,12	2,12	2,55	3,09	8,00	9,75	0,65	2,17	3,28	2,99	9,94	15,03	95
	2.0+3.5+3.5+5.0	1,14	2,00	2,00	2,86	3,20	8,00	9,79	0,65	2,11	3,23	2,99	9,66	14,79	95
	2.0+3.5+4.2+4.2	1,15	2,01	2,42	2,42	3,19	8,00	9,79	0,65	2,15	3,36	2,99	9,84	15,36	95
	2.5+2.5+2.5+2.5	2,00	2,00	2,00	2,00	2,65	8,00	9,00	0,55	2,17	2,79	2,53	9,94	12,79	95
	2.5+2.5+2.5+3.5	1,82	1,82	1,82	2,55	2,79	8,00	9,16	0,59	2,23	2,87	2,69	10,21	13,12	95
	2.5+2.5+2.5+4.2	1,71	1,71	1,71	2,87	2,89	8,00	9,51	0,62	2,21	3,14	2,82	10,12	14,38	95
	2.5+2.5+2.5+5.0	1,60	1,60	1,60	3,20	3,00	8,00	9,66	0,63	2,15	3,16	2,86	9,84	14,46	95
	2.5+2.5+2.5+6.0	1,48	1,48	1,48	3,56	3,13	8,00	9,77	0,66	2,13	2,93	3,03	9,75	13,40	95
	2.5+2.5+3.5+3.5	1,67	1,67	2,33	2,33	2,93	8,00	9,28	0,62	2,21	3,00	2,82	10,12	13,73	95
	2.5+2.5+3.5+4.2	1,57	1,57	2,20	2,65	3,02	8,00	9,69	0,62	2,20	3,28	2,82	10,07	15,03	95
	2.5+2.5+3.5+5.0	1,48	1,48	2,07	2,96	3,13	8,00	9,77	0,65	2,14	3,23	2,99	9,80	14,79	95
	2.5+2.5+3.5+6.0	1,38	1,38	1,93	3,31	3,27	8,00	9,79	0,66	2,12	2,93	3,03	9,71	13,40	95
	2.5+2.5+4.2+4.2	1,49	1,49	2,51	2,51	3,12	8,00	9,76	0,65	2,19	3,28	2,99	10,03	15,03	95
	2.5+2.5+4.2+5.0	1,41	1,41	2,37	2,82	3,23	8,00	9,79	0,65	2,13	3,23	2,99	9,75	14,79	95
	2.5+3.5+3.5+3.5	1,54	2,15	2,15	2,15	3,06	8,00	9,54	0,65	2,20	2,94	2,99	10,07	13,44	95
	2.5+3.5+3.5+4.2	1,46	2,04	2,04	2,45	3,16	8,00	9,78	0,65	2,19	3,36	2,99	10,03	15,36	95
	2.5+3.5+3.5+5.0	1,38	1,93	1,93	2,76	3,27	8,00	9,79	0,69	2,13	3,23	3,16	9,75	14,79	95
	2.5+3.5+4.2+4.2	1,39	1,94	2,33	2,33	3,26	8,00	9,79	0,69	2,18	3,36	3,16	9,98	15,36	95
	3.5+3.5+3.5+3.5	2,00	2,00	2,00	2,00	3,20	8,00	9,79	0,65	2,19	3,36	2,99	10,03	15,36	95

Notes

- The total capacity of each connected indoor unit is up to 14.5kW.
- The values above are for connecting with the following indoor unit types:
2.0,2.5,3.5,4.2,5.0,6.0 kW class
Wall-mounted FTXM-M series
- Cooling capacity conditions
Indoor temperature 27°C DB / 19°C WB
Outdoor temperature 35°C DB
- Editable data for this drawing are available in the GDE(E-BOM) system.
- For additional information on the connection of the DHW generator for Multi and the Hybrid for Multi, see 3D106169.

3D105411

4 Combination table

4 - 1 Combination Table

4

4MXM80N

Heating (50Hz 230V)

Outdoor unit	Indoor unit	Heating capacity [kW]				Total capacity [kW]			Power input [kW]			Total current [A]			Power factor [%]
		Room A	Room B	Room C	Room D	Min.	Nom.	Max.	Min.	Nom.	Max.	Min.	Nom.	Max.	
4MXM80N*	1,5	1,88	---	---	---	1,25	1,88	3,87	0,29	0,51	1,13	1,33	2,34	5,19	95
	2,0	2,46	---	---	---	1,28	2,46	4,26	0,30	0,66	1,18	1,38	3,01	5,42	95
	2,5	3,08	---	---	---	1,33	3,08	4,73	0,32	0,86	1,27	1,46	3,95	5,82	95
	3,5	4,31	---	---	---	1,45	4,31	5,31	0,33	1,39	1,68	1,51	6,37	7,68	95
	4,2	---	5,18	---	---	1,49	5,18	6,16	0,34	1,63	1,90	1,55	7,45	8,70	95
	5,0	---	6,15	---	---	1,86	6,15	7,40	0,43	1,74	2,18	1,95	7,99	9,99	95
	6,0	---	7,38	---	---	2,15	7,38	8,52	0,53	2,15	2,56	2,44	9,83	11,72	95
	7,1	---	8,74	---	---	2,45	8,74	9,36	0,57	2,71	2,88	2,62	12,43	13,18	95
	1,5+1,5	1,85	1,85	---	---	1,45	3,70	5,57	0,41	0,86	1,26	1,89	3,94	5,76	95
	1,5+2,0	1,84	2,46	---	---	1,51	4,30	5,57	0,41	1,01	1,26	1,89	4,63	5,76	95
	1,5+2,5	1,84	3,06	---	---	1,65	4,90	7,37	0,45	1,17	1,82	2,06	5,36	8,35	95
	1,5+3,5	1,83	4,27	---	---	1,94	6,10	7,52	0,52	1,64	2,00	2,37	7,51	9,14	95
	1,5+4,2	1,84	5,16	---	---	2,14	7,00	8,61	0,55	1,94	2,46	2,54	8,88	11,25	95
	1,5+5,0	1,85	6,15	---	---	2,38	8,00	9,07	0,50	2,11	2,32	2,28	9,66	10,63	95
	1,5+6,0	1,80	7,20	---	---	2,66	9,00	10,06	0,52	2,30	2,53	2,37	10,53	11,60	95
	1,5+7,1	1,67	7,93	---	---	2,96	9,60	10,30	0,55	2,47	2,52	2,50	11,31	11,56	95
	2,0+2,0	2,45	2,45	---	---	1,65	4,90	6,81	0,32	1,16	1,67	1,46	5,31	7,64	95
	2,0+2,5	2,44	3,06	---	---	1,80	5,50	7,12	0,35	1,34	1,75	1,59	6,14	8,00	95
	2,0+3,5	2,44	4,26	---	---	2,09	6,70	7,64	0,40	1,70	2,04	1,85	7,79	9,36	95
	2,0+4,2	2,45	5,15	---	---	2,28	7,60	8,87	0,44	1,98	2,46	2,02	9,07	11,25	95
	2,0+5,0	2,43	6,07	---	---	2,52	8,50	9,07	0,52	2,28	2,32	2,37	10,44	10,63	95
	2,0+6,0	2,33	6,98	---	---	2,79	9,30	10,06	0,54	2,42	2,53	2,45	11,08	11,60	95
	2,0+7,1	2,11	7,49	---	---	3,10	9,60	10,77	0,57	2,47	2,77	2,62	11,31	12,70	95
	2,5+2,5	3,05	3,05	---	---	1,94	6,10	7,45	0,39	1,68	2,05	1,76	7,69	9,40	95
	2,5+3,5	3,04	4,26	---	---	2,23	7,30	8,87	0,52	2,02	2,56	2,37	9,25	11,73	95
	2,5+4,2	3,06	5,14	---	---	2,44	8,20	9,37	0,54	2,28	2,78	2,45	10,44	12,74	95
	2,5+5,0	3,00	6,00	---	---	2,66	9,00	9,68	0,54	2,51	2,61	2,45	11,49	11,95	95
	2,5+6,0	2,82	6,78	---	---	2,94	9,60	10,50	0,55	2,63	2,82	2,54	12,04	12,92	95
	2,5+7,1	2,50	7,10	---	---	3,23	9,60	10,77	0,59	2,50	2,81	2,71	11,45	12,87	95
	3,5+3,5	4,25	4,25	---	---	2,52	8,50	9,55	0,55	2,47	2,92	2,54	11,31	13,36	95
	3,5+4,2	4,09	4,91	---	---	2,71	9,00	10,16	0,57	2,69	3,33	2,62	12,32	15,25	95
	3,5+5,0	3,91	5,59	---	---	2,94	9,50	10,32	0,58	2,66	2,81	2,67	12,18	12,87	95
	3,5+6,0	3,54	6,06	---	---	3,21	9,60	10,75	0,57	2,48	2,78	2,62	11,36	12,74	95
	3,5+7,1	3,17	6,43	---	---	3,52	9,60	10,78	0,63	2,42	2,73	2,88	11,08	12,48	95
	4,2+4,2	4,75	4,75	---	---	2,91	9,50	9,98	0,59	2,55	2,58	2,71	11,68	11,82	95
	4,2+5,0	4,38	5,22	---	---	3,13	9,60	10,52	0,60	2,59	2,76	2,75	11,86	12,61	95
	4,2+6,0	3,95	5,65	---	---	3,41	9,60	10,76	0,61	2,39	2,73	2,80	10,94	12,48	95
	4,2+7,1	3,57	6,03	---	---	3,70	9,60	10,80	0,66	2,38	2,72	3,01	10,90	12,43	95
	5,0+5,0	4,80	4,80	---	---	3,35	9,60	10,65	0,63	2,46	2,72	2,88	11,26	12,43	95
	5,0+6,0	4,36	5,24	---	---	3,62	9,60	10,89	0,62	2,35	2,69	2,84	10,76	12,30	95

Notes

- The total capacity of each connected indoor unit is up to 14.5kW.
- The values above are for connecting with the following indoor unit types:
1.5,2.0,2.5,3.5,4.2,5.0,6.0,7.1 kW class
Wall-mounted CTXM-M,FTXM-M series
- Heating capacity conditions
Indoor temperature 20°C DB
Outdoor temperature 7°C DB / 6°C WB
- Editable data for this drawing are available in the GDE(E-BOM) system.
- For additional information on the connection of the DHW generator for Multi and the Hybrid for Multi, see 3D106169.

3D105412

4 Combination table

4 - 1 Combination Table

4MXM80N

Heating (50Hz 230V)

Outdoor unit	Indoor unit	Heating capacity [kW]				Total capacity [kW]			Power input [kW]			Total current [A]			Power factor [%]
		Room A	Room B	Room C	Room D	Min.	Nom.	Max.	Min.	Nom.	Max.	Min.	Nom.	Max.	
4MXM80N*	5.0+7.1	3,97	5,63	---	---	3,93	9,60	10,92	0,66	2,33	2,68	3,01	10,67	12,26	95
	6.0+6.0	5,24	4,36	---	---	3,90	9,60	11,13	0,63	2,27	2,66	2,88	10,39	12,17	95
	6.0+7.1	4,40	5,20	---	---	4,20	9,60	11,16	0,67	2,26	2,65	3,05	10,35	12,13	95
	7.1+7.1	6,09	3,51	---	---	4,51	9,60	11,20	0,73	2,20	2,59	3,36	10,07	11,86	95
	1.5+1.5+1.5	1,83	1,83	1,83	---	1,80	5,50	7,51	0,40	1,14	1,64	1,85	5,22	7,51	95
	1.5+1.5+2.0	1,83	1,83	2,44	---	1,94	6,10	7,51	0,41	1,32	1,64	1,89	6,05	7,51	95
	1.5+1.5+2.5	1,83	1,83	3,05	---	2,09	6,70	7,58	0,43	1,49	1,64	1,98	6,82	7,51	95
	1.5+1.5+3.5	1,85	1,85	4,31	---	2,38	8,00	9,39	0,47	1,88	2,21	2,15	8,61	10,11	95
	1.5+1.5+4.2	1,81	1,81	5,08	---	2,58	8,70	9,39	0,49	2,15	2,20	2,24	9,84	10,06	95
	1.5+1.5+5.0	1,74	1,74	5,81	---	2,79	9,30	10,39	0,50	2,21	2,44	2,28	10,12	11,16	95
	1.5+1.5+6.0	1,58	1,58	6,33	---	3,07	9,50	11,14	0,51	2,20	2,61	2,32	10,07	11,95	95
	1.5+1.5+7.1	1,43	1,43	6,75	---	3,38	9,60	11,17	0,54	2,21	2,60	2,45	10,12	11,91	95
	1.5+2.0+2.0	1,83	2,44	2,44	---	2,09	6,70	7,51	0,43	1,49	1,64	1,98	6,82	7,51	95
	1.5+2.0+2.5	1,83	2,43	3,04	---	2,23	7,30	8,75	0,45	1,68	2,04	2,06	7,69	9,31	95
	1.5+2.0+3.5	1,82	2,43	4,25	---	2,52	8,50	9,39	0,49	2,06	2,21	2,24	9,43	10,11	95
	1.5+2.0+4.2	1,75	2,34	4,91	---	2,71	9,00	10,08	0,51	2,22	2,48	2,32	10,17	11,34	95
	1.5+2.0+5.0	1,69	2,26	5,65	---	2,94	9,60	10,39	0,52	2,34	2,44	2,37	10,71	11,16	95
	1.5+2.0+6.0	1,52	2,02	6,06	---	3,21	9,60	11,14	0,53	2,22	2,61	2,41	10,17	11,95	95
	1.5+2.0+7.1	1,36	1,81	6,43	---	3,52	9,60	11,17	0,56	2,21	2,60	2,58	10,12	11,91	95
	1.5+2.5+2.5	1,85	3,08	3,08	---	2,38	8,00	9,29	0,47	1,95	2,21	2,15	8,93	10,11	95
	1.5+2.5+3.5	1,80	3,00	4,20	---	2,66	9,00	10,07	0,51	2,22	2,48	2,32	10,17	11,34	95
	1.5+2.5+4.2	1,76	2,93	4,92	---	2,86	9,60	10,08	0,53	2,42	2,48	2,41	11,08	11,34	95
	1.5+2.5+5.0	1,60	2,67	5,33	---	3,07	9,60	10,90	0,54	2,34	2,69	2,45	10,71	12,30	95
	1.5+2.5+6.0	1,44	2,40	5,76	---	3,35	9,60	11,14	0,55	2,22	2,61	2,50	10,17	11,95	95
	1.5+2.5+7.1	1,30	2,16	6,14	---	3,65	9,60	11,17	0,58	2,21	2,60	2,67	10,12	11,91	95
	1.5+3.5+3.5	1,69	3,95	3,95	---	2,94	9,60	10,29	0,55	2,38	2,48	2,54	10,90	11,34	95
	1.5+3.5+4.2	1,57	3,65	4,38	---	3,13	9,60	10,77	0,57	2,38	2,73	2,62	10,90	12,48	95
	1.5+3.5+5.0	1,44	3,36	4,80	---	3,35	9,60	10,91	0,57	2,34	2,68	2,62	10,71	12,26	95
	1.5+3.5+6.0	1,31	3,05	5,24	---	3,62	9,60	11,15	0,58	2,22	2,61	2,67	10,17	11,95	95
	1.5+3.5+7.1	1,19	2,78	5,63	---	3,93	9,60	11,18	0,62	2,21	2,59	2,84	10,12	11,86	95
	1.5+4.2+4.2	1,45	4,07	4,07	---	3,33	9,60	10,78	0,59	2,38	2,73	2,71	10,90	12,48	95
	1.5+4.2+5.0	1,35	3,77	4,49	---	3,54	9,60	10,91	0,62	2,34	2,68	2,84	10,71	12,26	95
	1.5+4.2+6.0	1,23	3,45	4,92	---	3,81	9,60	11,15	0,60	2,22	2,60	2,75	10,17	11,91	95
	1.5+4.2+7.1	1,13	3,15	5,33	---	4,12	9,60	11,19	0,67	2,21	2,59	3,05	10,12	11,86	95
	1.5+5.0+5.0	1,25	4,17	4,17	---	3,76	9,60	11,04	0,62	2,25	2,64	2,84	10,30	12,08	95
	1.5+5.0+6.0	1,15	3,84	4,61	---	4,04	9,60	11,28	0,63	2,14	2,61	2,88	9,80	11,95	95
	1.5+5.0+7.1	1,06	3,53	5,01	---	4,35	9,60	11,32	0,67	2,13	2,60	3,05	9,75	11,91	95
	1.5+6.0+6.0	1,07	4,27	4,27	---	4,31	9,60	11,52	0,64	2,07	2,53	2,93	9,48	11,60	95
	2.0+2.0+2.0	2,50	2,50	2,50	---	2,23	7,50	8,66	0,45	1,73	2,05	2,06	7,92	9,40	95
	2.0+2.0+2.5	2,46	2,46	3,08	---	2,38	8,00	9,29	0,47	1,87	2,23	2,15	8,56	10,19	95

Notes

- The total capacity of each connected indoor unit is up to 14.5kW.
- The values above are for connecting with the following indoor unit types:
1.5,2.0,2.5,3.5,4.2,5.0,6.0,7.1 kW class
Wall-mounted CTXM-M,FTXM-M series
- Heating capacity conditions
Indoor temperature 20°C DB
Outdoor temperature 7°C DB / 6°C WB
- Editable data for this drawing are available in the GDE(E-BOM) system.
- For additional information on the connection of the DHW generator for Multi and the Hybrid for Multi, see 3D106169.

3D105413

4 Combination table

4 - 1 Combination Table

4

4MXM80N

Heating (50Hz 230V)

Outdoor unit	Indoor unit	Heating capacity [kW]				Total capacity [kW]			Power input [kW]			Total current [A]			Power factor [%]
		Room A	Room B	Room C	Room D	Min.	Nom.	Max.	Min.	Nom.	Max.	Min.	Nom.	Max.	
4MXM80N*	2.0+2.0+3.5	2,40	2,40	4,20	---	2,66	9,00	10,07	0,51	2,21	2,52	2,32	10,12	11,56	95
	2.0+2.0+4.2	2,29	2,29	4,81	---	2,86	9,40	10,08	0,53	2,41	2,52	2,41	11,03	11,56	95
	2.0+2.0+5.0	2,13	2,13	5,33	---	3,07	9,60	10,90	0,54	2,38	2,69	2,45	10,90	12,30	95
	2.0+2.0+6.0	1,92	1,92	5,76	---	3,35	9,60	11,14	0,55	2,26	2,61	2,50	10,35	11,95	95
	2.0+2.0+7.1	1,73	1,73	6,14	---	3,65	9,60	11,17	0,58	2,25	2,60	2,67	10,30	11,91	95
	2.0+2.5+2.5	2,43	3,04	3,04	---	2,52	8,50	9,29	0,49	2,10	2,21	2,24	9,62	10,11	95
	2.0+2.5+3.5	2,33	2,91	4,07	---	2,79	9,30	10,07	0,53	2,39	2,51	2,41	10,94	11,47	95
	2.0+2.5+4.2	2,21	2,76	4,63	---	2,99	9,60	10,56	0,55	2,50	2,76	2,54	11,45	12,61	95
	2.0+2.5+5.0	2,02	2,53	5,05	---	3,21	9,60	10,90	0,55	2,34	2,69	2,54	10,71	12,30	95
	2.0+2.5+6.0	1,83	2,29	5,49	---	3,49	9,60	11,14	0,56	2,22	2,61	2,58	10,17	11,95	95
	2.0+2.5+7.1	1,66	2,07	5,88	---	3,79	9,60	11,17	0,60	2,21	2,60	2,75	10,12	11,91	95
	2.0+3.5+3.5	2,13	3,73	3,73	---	3,07	9,60	10,76	0,55	2,38	2,73	2,54	10,90	12,48	95
	2.0+3.5+4.2	1,98	3,46	4,16	---	3,26	9,60	10,77	0,59	2,38	2,73	2,71	10,90	12,48	95
	2.0+3.5+5.0	1,83	3,20	4,57	---	3,49	9,60	10,91	0,59	2,34	2,69	2,71	10,71	12,30	95
	2.0+3.5+6.0	1,67	2,92	5,01	---	3,76	9,60	11,15	0,60	2,22	2,61	2,75	10,17	11,95	95
	2.0+3.5+7.1	1,52	2,67	5,41	---	4,07	9,60	11,18	0,65	2,21	2,59	2,97	10,12	11,86	95
	2.0+4.2+4.2	1,85	3,88	3,88	---	3,46	9,60	10,78	0,61	2,38	2,73	2,80	10,90	12,48	95
	2.0+4.2+5.0	1,71	3,60	4,29	---	3,68	9,60	10,91	0,64	2,34	2,68	2,93	10,71	12,26	95
	2.0+4.2+6.0	1,57	3,30	4,72	---	3,96	9,60	11,15	0,63	2,22	2,60	2,88	10,17	11,91	95
	2.0+4.2+7.1	1,44	3,03	5,12	---	4,26	9,60	11,19	0,69	2,21	2,59	3,14	10,12	11,86	95
	2.0+5.0+5.0	1,60	4,00	4,00	---	3,90	9,60	11,04	0,64	2,25	2,64	2,93	10,30	12,08	95
	2.0+5.0+6.0	1,48	3,69	4,43	---	4,17	9,60	11,28	0,65	2,14	2,61	2,97	9,80	11,95	95
	2.0+5.0+7.1	1,36	3,40	4,83	---	4,48	9,60	11,32	0,70	2,13	2,60	3,18	9,75	11,91	95
	2.0+6.0+6.0	1,37	4,11	4,11	---	4,45	9,60	11,52	0,66	2,07	2,53	3,01	9,48	11,60	95
	2.5+2.5+2.5	3,20	3,20	3,20	---	2,66	9,60	10,28	0,51	2,49	2,63	2,32	11,40	12,04	95
	2.5+2.5+3.5	2,82	2,82	3,95	---	2,94	9,60	10,52	0,55	2,46	2,68	2,54	11,26	12,26	95
	2.5+2.5+4.2	2,61	2,61	4,38	---	3,13	9,60	11,02	0,57	2,44	2,93	2,62	11,17	13,40	95
	2.5+2.5+5.0	2,40	2,40	4,80	---	3,35	9,60	10,90	0,57	2,35	2,69	2,62	10,76	12,30	95
	2.5+2.5+6.0	2,18	2,18	5,24	---	3,62	9,60	11,14	0,58	2,26	2,61	2,67	10,35	11,95	95
	2.5+2.5+7.1	1,98	1,98	5,63	---	3,93	9,60	11,17	0,62	2,26	2,60	2,84	10,35	11,91	95
	2.5+3.5+3.5	2,53	3,54	3,54	---	3,21	9,60	10,76	0,57	2,41	2,73	2,62	11,03	12,48	95
	2.5+3.5+4.2	2,35	3,29	3,95	---	3,41	9,60	10,77	0,61	2,39	2,73	2,80	10,94	12,48	95
	2.5+3.5+5.0	2,18	3,05	4,36	---	3,62	9,60	10,91	0,62	2,30	2,69	2,84	10,53	12,30	95
	2.5+3.5+6.0	2,00	2,80	4,80	---	3,90	9,60	11,15	0,63	2,25	2,61	2,88	10,30	11,95	95
	2.5+3.5+7.1	1,83	2,56	5,20	---	4,20	9,60	11,18	0,67	2,21	2,59	3,05	10,12	11,86	95
	2.5+4.2+4.2	2,20	3,70	3,70	---	3,60	9,60	10,78	0,64	2,37	2,73	2,93	10,85	12,48	95
2.5+4.2+5.0	2,05	3,45	4,10	---	3,81	9,60	10,91	0,66	2,28	2,68	3,01	10,44	12,26	95	
2.5+4.2+6.0	1,89	3,17	4,54	---	4,09	9,60	11,15	0,65	2,24	2,60	2,97	10,26	11,91	95	
2.5+4.2+7.1	1,74	2,92	4,94	---	4,40	9,60	11,19	0,71	2,20	2,59	3,27	10,07	11,86	95	
2.5+5.0+5.0	1,92	3,84	3,84	---	4,04	9,60	11,04	0,67	2,26	2,64	3,05	10,35	12,08	95	

Notes

- The total capacity of each connected indoor unit is up to 14.5kW.
- The values above are for connecting with the following indoor unit types:
2.0,2.5,3.5,4.2,5.0,6.0,7.1 kW class
Wall-mounted FTXM-M series
- Heating capacity conditions
Indoor temperature 20°C DB
Outdoor temperature 7°C DB / 6°C WB
- Editable data for this drawing are available in the GDE(E-BOM) system.
- For additional information on the connection of the DHW generator for Multi and the Hybrid for Multi, see 3D106169.

3D105414

4 Combination table

4 - 1 Combination Table

4MXM80N

Heating (50Hz 230V)

Outdoor unit	Indoor unit	Heating capacity [kW]				Total capacity [kW]			Power input [kW]			Total current [A]			Power factor [%]
		Room A	Room B	Room C	Room D	Min.	Nom.	Max.	Min.	Nom.	Max.	Min.	Nom.	Max.	
4MXM80N*	2.5+5.0+6.0	1,78	3,56	4,27	---	4,31	9,60	11,28	0,68	2,18	2,61	3,10	9,98	11,95	95
	2.5+6.0+6.0	1,66	3,97	3,97	---	4,59	9,60	11,52	0,68	2,11	2,53	3,10	9,66	11,60	95
	3.5+3.5+3.5	3,20	3,20	3,20	---	3,49	9,60	10,77	0,61	2,42	2,73	2,80	11,08	12,48	95
	3.5+3.5+4.2	3,00	3,00	3,60	---	3,68	9,60	10,78	0,66	2,40	2,73	3,01	10,99	12,48	95
	3.5+3.5+5.0	2,80	2,80	4,00	---	3,90	9,60	10,91	0,66	2,37	2,68	3,01	10,85	12,26	95
	3.5+3.5+6.0	2,58	2,58	4,43	---	4,17	9,60	11,15	0,67	2,22	2,60	3,05	10,17	11,91	95
	3.5+3.5+7.1	2,38	2,38	4,83	---	4,48	9,60	11,19	0,71	2,21	2,59	3,27	10,12	11,86	95
	3.5+4.2+4.2	2,82	3,39	3,39	---	3,88	9,60	10,80	0,68	2,38	2,72	3,10	10,90	12,43	95
	3.5+4.2+5.0	2,65	3,17	3,78	---	4,09	9,60	10,92	0,71	2,35	2,68	3,23	10,76	12,26	95
	3.5+4.2+6.0	2,45	2,94	4,20	---	4,37	9,60	11,16	0,70	2,21	2,60	3,18	10,12	11,91	95
	3.5+5.0+5.0	2,49	3,56	3,56	---	4,31	9,60	11,06	0,71	2,25	2,64	3,27	10,30	12,08	95
	3.5+5.0+6.0	2,32	3,31	3,97	---	4,59	9,60	11,29	0,72	2,14	2,61	3,31	9,80	11,95	95
	4.2+4.2+4.2	3,20	3,20	3,20	---	4,07	9,60	10,80	0,71	2,36	2,72	3,23	10,81	12,43	95
	4.2+4.2+5.0	3,01	3,01	3,58	---	4,28	9,60	10,93	0,73	2,33	2,68	3,36	10,67	12,26	95
	4.2+4.2+6.0	2,80	2,80	4,00	---	4,56	9,60	11,17	0,74	2,21	2,60	3,40	10,12	11,91	95
	4.2+5.0+5.0	2,84	3,38	3,38	---	4,51	9,60	11,07	0,76	2,24	2,63	3,48	10,26	12,04	95
	1.5+1.5+1.5+1.5	1,83	1,83	1,83	1,83	2,23	7,30	8,81	0,39	1,61	1,92	1,76	7,37	8,79	95
	1.5+1.5+1.5+2.0	1,85	1,85	1,85	2,46	2,38	8,00	9,40	0,39	1,81	2,13	1,81	8,29	9,75	95
	1.5+1.5+1.5+2.5	1,82	1,82	1,82	3,04	2,52	8,50	9,50	0,41	1,95	2,13	1,89	8,93	9,75	95
	1.5+1.5+1.5+3.5	1,74	1,74	1,74	4,07	2,79	9,30	10,59	0,45	2,13	2,41	2,06	9,75	11,03	95
	1.5+1.5+1.5+4.2	1,66	1,66	1,66	4,63	2,99	9,60	11,16	0,48	2,21	2,60	2,19	10,12	11,91	95
	1.5+1.5+1.5+5.0	1,52	1,52	1,52	5,05	3,21	9,60	11,29	0,49	2,14	2,61	2,24	9,80	11,95	95
	1.5+1.5+1.5+6.0	1,37	1,37	1,37	5,49	3,49	9,60	11,53	0,49	2,06	2,53	2,24	9,43	11,60	95
	1.5+1.5+1.5+7.1	1,24	1,24	1,24	5,88	3,79	9,60	11,56	0,53	2,05	2,52	2,41	9,39	11,56	95
	1.5+1.5+2.0+2.0	1,82	1,82	2,43	2,43	2,52	8,50	9,40	0,41	1,99	2,13	1,89	9,11	9,75	95
	1.5+1.5+2.0+2.5	1,80	1,80	2,40	3,00	2,66	9,00	10,26	0,43	2,14	2,41	1,98	9,80	11,03	95
	1.5+1.5+2.0+3.5	1,69	1,69	2,26	3,95	2,94	9,60	10,59	0,49	2,22	2,41	2,24	10,17	11,03	95
	1.5+1.5+2.0+4.2	1,57	1,57	2,09	4,38	3,13	9,60	11,16	0,50	2,21	2,60	2,28	10,12	11,91	95
	1.5+1.5+2.0+5.0	1,44	1,44	1,92	4,80	3,35	9,60	11,29	0,51	2,14	2,61	2,32	9,80	11,95	95
	1.5+1.5+2.0+6.0	1,31	1,31	1,75	5,24	3,62	9,60	11,53	0,51	2,06	2,53	2,32	9,43	11,60	95
	1.5+1.5+2.0+7.1	1,19	1,19	1,59	5,63	3,93	9,60	11,56	0,55	2,05	2,52	2,50	9,39	11,56	95
	1.5+1.5+2.5+2.5	1,80	1,80	3,00	3,00	2,79	9,60	10,58	0,45	2,21	2,41	2,06	10,12	11,03	95
1.5+1.5+2.5+3.5	1,60	1,60	2,67	3,73	3,07	9,60	11,15	0,51	2,22	2,60	2,32	10,17	11,91	95	
1.5+1.5+2.5+4.2	1,48	1,48	2,47	4,16	3,26	9,60	11,16	0,52	2,21	2,60	2,37	10,12	11,91	95	
1.5+1.5+2.5+5.0	1,37	1,37	2,29	4,57	3,49	9,60	11,29	0,53	2,14	2,61	2,41	9,80	11,95	95	
1.5+1.5+2.5+6.0	1,25	1,25	2,09	5,01	3,76	9,60	11,53	0,54	2,06	2,53	2,45	9,43	11,60	95	
1.5+1.5+2.5+7.1	1,14	1,14	1,90	5,41	4,07	9,60	11,56	0,58	2,05	2,52	2,67	9,39	11,56	95	
1.5+1.5+3.5+3.5	1,44	1,44	3,36	3,36	3,35	9,60	11,16	0,55	2,21	2,60	2,50	10,12	11,91	95	
1.5+1.5+3.5+4.2	1,35	1,35	3,14	3,77	3,54	9,60	11,17	0,56	2,21	2,60	2,58	10,12	11,91	95	
1.5+1.5+3.5+5.0	1,25	1,25	2,92	4,17	3,76	9,60	11,29	0,58	2,13	2,60	2,67	9,75	11,91	95	

Notes

- The total capacity of each connected indoor unit is up to 14.5kW.
- The values above are for connecting with the following indoor unit types:
1.5,2.0,2.5,3.5,4.2,5.0,6.0,7.1 kW class
Wall-mounted CTXM-M,FTXM-M series
- Heating capacity conditions
Indoor temperature 20°C DB
Outdoor temperature 7°C DB / 6°C WB
- Editable data for this drawing are available in the GDE(E-BOM) system.
- For additional information on the connection of the DHW generator for Multi and the Hybrid for Multi, see 3D106169.

3D105415

4 Combination table

4 - 1 Combination Table

4

4MXM80N

Heating (50Hz 230V)

Outdoor unit	Indoor unit	Heating capacity [kW]				Total capacity [kW]			Power input [kW]			Total current [A]			Power factor [%]
		Room A	Room B	Room C	Room D	Min.	Nom.	Max.	Min.	Nom.	Max.	Min.	Nom.	Max.	
4MXM80N*	1.5+1.5+3.5+6.0	1.15	1.15	2.69	4.61	4.04	9.60	11.53	0.57	2.06	2.52	2.62	9.43	11.56	95
	1.5+1.5+3.5+7.1	1.06	1.06	2.47	5.01	4.35	9.60	11.58	0.63	2.05	2.52	2.88	9.39	11.51	95
	1.5+1.5+4.2+4.2	1.26	1.26	3.54	3.54	3.73	9.60	11.18	0.60	2.21	2.59	2.75	10.12	11.86	95
	1.5+1.5+4.2+5.0	1.18	1.18	3.30	3.93	3.96	9.60	11.30	0.60	2.13	2.60	2.75	9.75	11.91	95
	1.5+1.5+4.2+6.0	1.09	1.09	3.05	4.36	4.23	9.60	11.54	0.61	2.06	2.52	2.80	9.43	11.56	95
	1.5+1.5+4.2+7.1	1.01	1.01	2.82	4.77	4.54	9.60	11.58	0.65	2.05	2.52	2.97	9.39	11.51	95
	1.5+1.5+5.0+5.0	1.11	1.11	3.69	3.69	4.17	9.60	11.44	0.63	2.09	2.56	2.88	9.57	11.73	95
	1.5+1.5+5.0+6.0	1.03	1.03	3.43	4.11	4.45	9.60	11.68	0.63	1.97	2.49	2.88	9.02	11.38	95
	1.5+2.0+2.0+2.0	1.90	2.53	2.53	2.53	2.66	9.50	10.17	0.43	2.26	2.41	1.98	10.35	11.03	95
	1.5+2.0+2.0+2.5	1.80	2.40	2.40	3.00	2.79	9.60	10.26	0.45	2.26	2.41	2.06	10.35	11.03	95
	1.5+2.0+2.0+3.5	1.60	2.13	2.13	3.73	3.07	9.60	11.15	0.51	2.25	2.60	2.32	10.30	11.91	95
	1.5+2.0+2.0+4.2	1.48	1.98	1.98	4.16	3.26	9.60	11.16	0.52	2.23	2.60	2.37	10.21	11.91	95
	1.5+2.0+2.0+5.0	1.37	1.83	1.83	4.57	3.49	9.60	11.29	0.53	2.14	2.61	2.41	9.80	11.95	95
	1.5+2.0+2.0+6.0	1.25	1.67	1.67	5.01	3.76	9.60	11.53	0.54	2.06	2.53	2.45	9.43	11.60	95
	1.5+2.0+2.0+7.1	1.14	1.52	1.52	5.41	4.07	9.60	11.56	0.58	2.05	2.52	2.67	9.39	11.56	95
	1.5+2.0+2.5+2.5	1.69	2.26	2.82	2.82	2.94	9.60	10.58	0.49	2.22	2.41	2.24	10.17	11.03	95
	1.5+2.0+2.5+3.5	1.52	2.02	2.53	3.54	3.21	9.60	11.15	0.53	2.22	2.60	2.41	10.17	11.91	95
	1.5+2.0+2.5+4.2	1.41	1.88	2.35	3.95	3.41	9.60	11.16	0.55	2.21	2.60	2.50	10.12	11.91	95
	1.5+2.0+2.5+5.0	1.31	1.75	2.18	4.36	3.62	9.60	11.29	0.56	2.14	2.61	2.58	9.80	11.95	95
	1.5+2.0+2.5+6.0	1.20	1.60	2.00	4.80	3.90	9.60	11.53	0.55	2.06	2.53	2.54	9.43	11.60	95
	1.5+2.0+2.5+7.1	1.10	1.47	1.83	5.20	4.20	9.60	11.56	0.61	2.05	2.52	2.80	9.39	11.56	95
	1.5+2.0+3.5+3.5	1.37	1.83	3.20	3.20	3.49	9.60	11.16	0.56	2.21	2.60	2.58	10.12	11.91	95
	1.5+2.0+3.5+4.2	1.29	1.71	3.00	3.60	3.68	9.60	11.17	0.58	2.21	2.60	2.67	10.12	11.91	95
	1.5+2.0+3.5+5.0	1.20	1.60	2.80	4.00	3.90	9.60	11.29	0.60	2.13	2.60	2.75	9.75	11.91	95
	1.5+2.0+3.5+6.0	1.11	1.48	2.58	4.43	4.17	9.60	11.53	0.61	2.06	2.52	2.80	9.43	11.56	95
	1.5+2.0+3.5+7.1	1.02	1.36	2.38	4.83	4.48	9.60	11.58	0.65	2.05	2.52	2.97	9.39	11.51	95
	1.5+2.0+4.2+4.2	1.21	1.61	3.39	3.39	3.88	9.60	11.18	0.62	2.25	2.59	2.84	10.30	11.86	95
	1.5+2.0+4.2+5.0	1.13	1.51	3.17	3.78	4.09	9.60	11.30	0.63	2.13	2.60	2.88	9.75	11.91	95
	1.5+2.0+4.2+6.0	1.05	1.40	2.94	4.20	4.37	9.60	11.54	0.63	2.06	2.52	2.88	9.43	11.56	95
	1.5+2.0+5.0+5.0	1.07	1.42	3.56	3.56	4.31	9.60	11.44	0.65	2.09	2.56	2.97	9.57	11.73	95
	1.5+2.0+5.0+6.0	0.99	1.32	3.31	3.97	4.59	9.60	11.68	0.66	1.97	2.49	3.01	9.02	11.38	95
	1.5+2.5+2.5+2.5	1.60	2.67	2.67	2.67	3.07	9.60	11.14	0.51	2.22	2.61	2.32	10.17	11.95	95
1.5+2.5+2.5+3.5	1.44	2.40	2.40	3.36	3.35	9.60	11.15	0.55	2.22	2.60	2.50	10.17	11.91	95	
1.5+2.5+2.5+4.2	1.35	2.24	2.24	3.77	3.54	9.60	11.16	0.56	2.21	2.60	2.58	10.12	11.91	95	
1.5+2.5+2.5+5.0	1.25	2.09	2.09	4.17	3.76	9.60	11.29	0.58	2.14	2.61	2.67	9.80	11.95	95	
1.5+2.5+2.5+6.0	1.15	1.92	1.92	4.61	4.04	9.60	11.53	0.57	2.06	2.53	2.62	9.43	11.60	95	
1.5+2.5+2.5+7.1	1.06	1.76	1.76	5.01	4.35	9.60	11.56	0.63	2.05	2.52	2.88	9.39	11.56	95	
1.5+2.5+3.5+3.5	1.31	2.18	3.05	3.05	3.62	9.60	11.16	0.58	2.21	2.60	2.67	10.12	11.91	95	
1.5+2.5+3.5+4.2	1.23	2.05	2.87	3.45	3.81	9.60	11.17	0.60	2.24	2.60	2.75	10.26	11.91	95	
1.5+2.5+3.5+5.0	1.15	1.92	2.69	3.84	4.04	9.60	11.29	0.63	2.13	2.60	2.88	9.75	11.91	95	

Notes

- The total capacity of each connected indoor unit is up to 14.5kW.
- The values above are for connecting with the following indoor unit types:
1.5,2.0,2.5,3.5,4.2,5.0,6.0,7.1 kW class
Wall-mounted CTXM-M,FTXM-M series
- Heating capacity conditions
Indoor temperature 20°C DB
Outdoor temperature 7°C DB / 6°C WB
- Editable data for this drawing are available in the GDE(E-BOM) system.
- For additional information on the connection of the DHW generator for Multi and the Hybrid for Multi, see 3D106169.

3D105416

4 Combination table

4 - 1 Combination Table

4MXM80N

Heating (50Hz 230V)

Outdoor unit	Indoor unit	Heating capacity [kW]				Total capacity [kW]			Power input [kW]			Total current [A]			Power factor [%]
		Room A	Room B	Room C	Room D	Min.	Nom.	Max.	Min.	Nom.	Max.	Min.	Nom.	Max.	
4MXM80N*	1.5+2.5+3.5+6.0	1,07	1,78	2,49	4,27	4,31	9,60	11,53	0,63	2,06	2,52	2,88	9,43	11,56	95
	1.5+2.5+4.2+4.2	1,16	1,94	3,25	3,25	4,01	9,60	11,18	0,65	2,25	2,59	2,97	10,30	11,86	95
	1.5+2.5+4.2+5.0	1,09	1,82	3,05	3,64	4,23	9,60	11,30	0,65	2,16	2,60	2,97	9,89	11,91	95
	1.5+2.5+4.2+6.0	1,01	1,69	2,84	4,06	4,51	9,60	11,54	0,66	2,06	2,52	3,01	9,43	11,56	95
	1.5+2.5+5.0+5.0	1,03	1,71	3,43	3,43	4,45	9,60	11,44	0,67	2,09	2,56	3,05	9,57	11,73	95
	1.5+3.5+3.5+3.5	1,20	2,80	2,80	2,80	3,90	9,60	11,17	0,62	2,21	2,60	2,84	10,12	11,91	95
	1.5+3.5+3.5+4.2	1,13	2,65	2,65	3,17	4,09	9,60	11,18	0,65	2,25	2,59	2,97	10,30	11,86	95
	1.5+3.5+3.5+5.0	1,07	2,49	2,49	3,56	4,31	9,60	11,30	0,67	2,13	2,60	3,05	9,75	11,91	95
	1.5+3.5+3.5+6.0	0,99	2,32	2,32	3,97	4,59	9,60	11,54	0,68	2,06	2,52	3,10	9,43	11,56	95
	1.5+3.5+4.2+4.2	1,07	2,51	3,01	3,01	4,28	9,60	11,18	0,69	2,25	2,59	3,14	10,30	11,86	95
	1.5+3.5+4.2+5.0	1,01	2,37	2,84	3,38	4,51	9,60	11,32	0,70	2,16	2,60	3,18	9,89	11,91	95
	1.5+4.2+4.2+4.2	1,02	2,86	2,86	2,86	4,48	9,60	11,19	0,71	2,23	2,59	3,27	10,21	11,86	95
	2.0+2.0+2.0+2.0	2,40	2,40	2,40	2,40	2,79	9,60	10,17	0,45	1,94	2,41	2,06	8,88	11,03	95
	2.0+2.0+2.0+2.5	2,26	2,26	2,26	2,82	2,94	9,60	10,32	0,49	2,35	2,41	2,24	10,76	11,03	95
	2.0+2.0+2.0+3.5	2,02	2,02	2,02	3,54	3,21	9,60	11,15	0,53	2,22	2,60	2,41	10,17	11,91	95
	2.0+2.0+2.0+4.2	1,88	1,88	1,88	3,95	3,41	9,60	11,16	0,55	2,21	2,60	2,50	10,12	11,91	95
	2.0+2.0+2.0+5.0	1,75	1,75	1,75	4,36	3,62	9,60	11,29	0,56	2,14	2,61	2,58	9,80	11,95	95
	2.0+2.0+2.0+6.0	1,60	1,60	1,60	4,80	3,90	9,60	11,53	0,55	2,06	2,53	2,54	9,43	11,60	95
	2.0+2.0+2.0+7.1	1,47	1,47	1,47	5,20	4,20	9,60	11,56	0,61	2,05	2,52	2,80	9,39	11,56	95
	2.0+2.0+2.5+2.5	2,13	2,13	2,67	2,67	3,07	9,60	11,14	0,51	2,22	2,61	2,32	10,17	11,95	95
	2.0+2.0+2.5+3.5	1,92	1,92	2,40	3,36	3,35	9,60	11,15	0,55	2,22	2,60	2,50	10,17	11,91	95
	2.0+2.0+2.5+4.2	1,79	1,79	2,24	3,77	3,54	9,60	11,16	0,56	2,21	2,60	2,58	10,12	11,91	95
	2.0+2.0+2.5+5.0	1,67	1,67	2,09	4,17	3,76	9,60	11,29	0,58	2,14	2,61	2,67	9,80	11,95	95
	2.0+2.0+2.5+6.0	1,54	1,54	1,92	4,61	4,04	9,60	11,53	0,57	2,06	2,53	2,62	9,43	11,60	95
	2.0+2.0+2.5+7.1	1,41	1,41	1,76	5,01	4,35	9,60	11,56	0,63	2,05	2,52	2,88	9,39	11,56	95
	2.0+2.0+3.5+3.5	1,75	1,75	3,05	3,05	3,62	9,60	11,16	0,58	2,21	2,60	2,67	10,12	11,91	95
	2.0+2.0+3.5+4.2	1,64	1,64	2,87	3,45	3,81	9,60	11,17	0,60	2,26	2,60	2,75	10,35	11,91	95
	2.0+2.0+3.5+5.0	1,54	1,54	2,69	3,84	4,04	9,60	11,29	0,63	2,13	2,60	2,88	9,75	11,91	95
	2.0+2.0+3.5+6.0	1,42	1,42	2,49	4,27	4,31	9,60	11,53	0,63	2,06	2,52	2,88	9,43	11,56	95
	2.0+2.0+4.2+4.2	1,55	1,55	3,25	3,25	4,01	9,60	11,18	0,62	2,25	2,59	2,84	10,30	11,86	95
	2.0+2.0+4.2+5.0	1,45	1,45	3,05	3,64	4,23	9,60	11,30	0,65	2,16	2,60	2,97	9,89	11,91	95
	2.0+2.0+4.2+6.0	1,35	1,35	2,84	4,06	4,51	9,60	11,54	0,66	2,06	2,52	3,01	9,43	11,56	95
	2.0+2.0+5.0+5.0	1,37	1,37	3,43	3,43	4,45	9,60	11,44	0,68	2,09	2,56	3,10	9,57	11,73	95
	2.0+2.5+2.5+2.5	2,02	2,53	2,53	2,53	3,21	9,60	11,14	0,53	2,22	2,61	2,41	10,17	11,95	95
	2.0+2.5+2.5+3.5	1,83	2,29	2,29	3,20	3,49	9,60	11,15	0,56	2,22	2,60	2,58	10,17	11,91	95
	2.0+2.5+2.5+4.2	1,71	2,14	2,14	3,60	3,68	9,60	11,16	0,58	2,26	2,60	2,67	10,35	11,91	95
	2.0+2.5+2.5+5.0	1,60	2,00	2,00	4,00	3,90	9,60	11,29	0,61	2,18	2,61	2,80	9,98	11,95	95
	2.0+2.5+2.5+6.0	1,48	1,85	1,85	4,43	4,17	9,60	11,53	0,61	2,06	2,53	2,80	9,43	11,60	95
	2.0+2.5+2.5+7.1	1,36	1,70	1,70	4,83	4,48	9,60	11,56	0,65	2,05	2,52	2,97	9,39	11,56	95
	2.0+2.5+3.5+3.5	1,67	2,09	2,92	2,92	3,76	9,60	11,16	0,60	2,25	2,60	2,75	10,30	11,91	95

Notes

- The total capacity of each connected indoor unit is up to 14.5kW.
- The values above are for connecting with the following indoor unit types:
1.5,2.0,2.5,3.5,4.2,5.0,6.0,7.1 kW class
Wall-mounted CTXM-M,FTXM-M series
- Heating capacity conditions
Indoor temperature 20°C DB
Outdoor temperature 7°C DB / 6°C WB
- Editable data for this drawing are available in the GDE(E-BOM) system.
- For additional information on the connection of the DHW generator for Multi and the Hybrid for Multi, see 3D106169.

3D105417

4 Combination table

4 - 1 Combination Table

4

4MXM80N

Heating (50Hz 230V)

Outdoor unit	Indoor unit	Heating capacity [kW]				Total capacity [kW]			Power input [kW]			Total current [A]			Power factor [%]
		Room A	Room B	Room C	Room D	Min.	Nom.	Max.	Min.	Nom.	Max.	Min.	Nom.	Max.	
4MXM80N*	2.0+2.5+3.5+4.2	1,57	1,97	2,75	3,30	3,96	9,60	11,17	0,62	2,24	2,60	2,84	10,26	11,91	95
	2.0+2.5+3.5+5.0	1,48	1,85	2,58	3,69	4,17	9,60	11,29	0,65	2,16	2,60	2,97	9,89	11,91	95
	2.0+2.5+3.5+6.0	1,37	1,71	2,40	4,11	4,45	9,60	11,53	0,66	2,06	2,52	3,01	9,43	11,56	95
	2.0+2.5+4.2+4.2	1,49	1,86	3,13	3,13	4,15	9,60	11,18	0,65	2,23	2,59	2,97	10,21	11,86	95
	2.0+2.5+4.2+5.0	1,40	1,75	2,94	3,50	4,37	9,60	11,30	0,67	2,15	2,60	3,05	9,84	11,91	95
	2.0+2.5+5.0+5.0	1,32	1,66	3,31	3,31	4,59	9,60	11,44	0,70	2,12	2,56	3,18	9,71	11,73	95
	2.0+3.5+3.5+3.5	1,54	2,69	2,69	2,69	4,04	9,60	11,17	0,65	2,11	2,60	2,97	9,66	11,91	95
	2.0+3.5+3.5+4.2	1,45	2,55	2,55	3,05	4,23	9,60	11,18	0,67	2,25	2,59	3,05	10,30	11,86	95
	2.0+3.5+3.5+5.0	1,37	2,40	2,40	3,43	4,45	9,60	11,30	0,70	2,16	2,60	3,18	9,89	11,91	95
	2.0+3.5+4.2+4.2	1,38	2,42	2,90	2,90	4,43	9,60	11,18	0,71	2,23	2,59	3,27	10,21	11,86	95
	2.5+2.5+2.5+2.5	2,40	2,40	2,40	2,40	3,35	9,60	11,14	0,55	2,22	2,61	2,50	10,17	11,95	95
	2.5+2.5+2.5+3.5	2,18	2,18	2,18	3,05	3,62	9,60	11,15	0,58	2,26	2,60	2,67	10,35	11,91	95
	2.5+2.5+2.5+4.2	2,05	2,05	2,05	3,45	3,81	9,60	11,16	0,60	2,25	2,60	2,75	10,30	11,91	95
	2.5+2.5+2.5+5.0	1,92	1,92	1,92	3,84	4,04	9,60	11,29	0,63	2,16	2,61	2,88	9,89	11,95	95
	2.5+2.5+2.5+6.0	1,78	1,78	1,78	4,27	4,31	9,60	11,53	0,64	2,06	2,53	2,93	9,43	11,60	95
	2.5+2.5+3.5+3.5	2,00	2,00	2,80	2,80	3,90	9,60	11,16	0,63	2,25	2,60	2,88	10,30	11,91	95
	2.5+2.5+3.5+4.2	1,89	1,89	2,65	3,17	4,09	9,60	11,17	0,65	2,23	2,60	2,97	10,21	11,91	95
	2.5+2.5+3.5+5.0	1,78	1,78	2,49	3,56	4,31	9,60	11,29	0,67	2,15	2,60	3,05	9,84	11,91	95
	2.5+2.5+3.5+6.0	1,66	1,66	2,32	3,97	4,59	9,60	11,53	0,68	2,06	2,52	3,10	9,43	11,56	95
	2.5+2.5+4.2+4.2	1,79	1,79	3,01	3,01	4,28	9,60	11,18	0,67	2,21	2,59	3,05	10,12	11,86	95
	2.5+2.5+4.2+5.0	1,69	1,69	2,84	3,38	4,51	9,60	11,30	0,71	2,13	2,60	3,27	9,75	11,91	95
	2.5+3.5+3.5+3.5	1,85	2,58	2,58	2,58	4,17	9,60	11,17	0,67	2,25	2,60	3,05	10,30	11,91	95
	2.5+3.5+3.5+4.2	1,75	2,45	2,45	2,94	4,37	9,60	11,18	0,70	2,23	2,59	3,18	10,21	11,86	95
	2.5+3.5+3.5+5.0	1,66	2,32	2,32	3,31	4,59	9,60	11,30	0,71	2,15	2,60	3,27	9,84	11,91	95
	2.5+3.5+4.2+4.2	1,67	2,33	2,80	2,80	4,56	9,60	11,18	0,73	2,21	2,59	3,36	10,12	11,86	95
	3.5+3.5+3.5+3.5	2,40	2,40	2,40	2,40	4,45	9,60	11,18	0,71	2,19	2,59	3,27	10,03	11,86	95

Notes

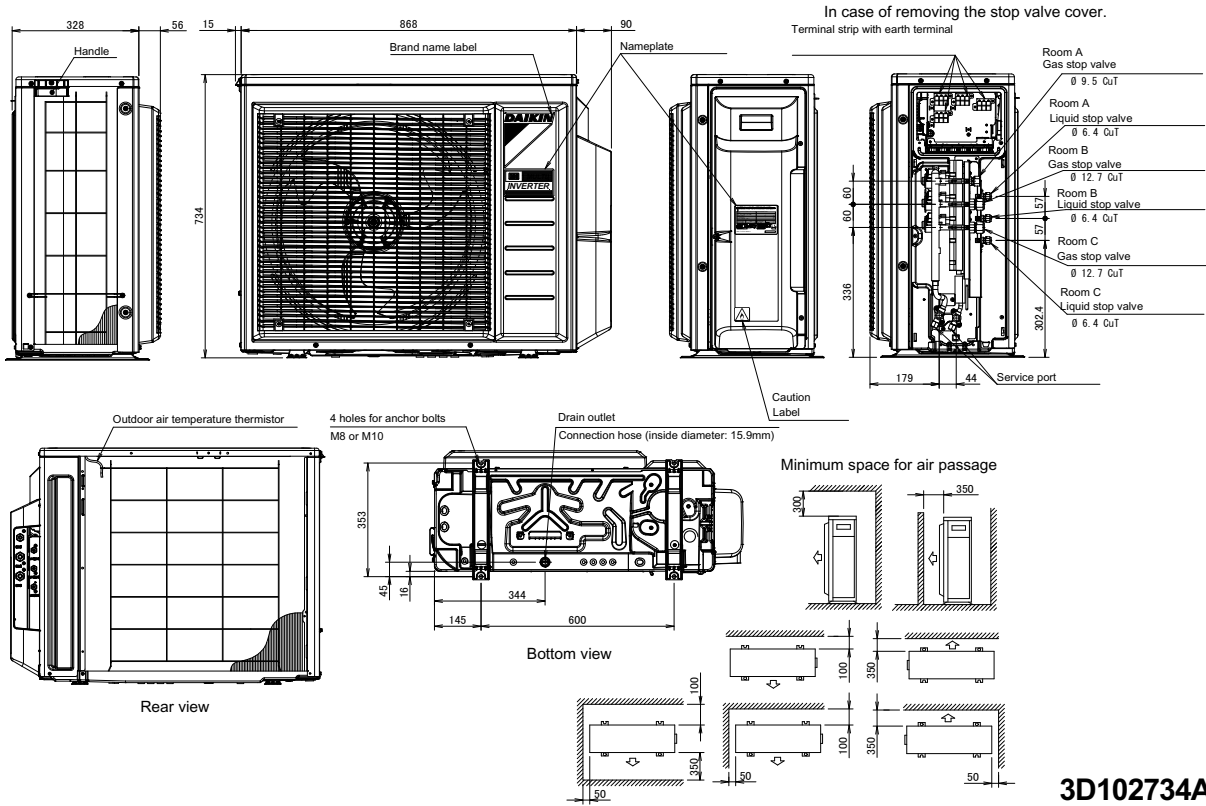
- The total capacity of each connected indoor unit is up to 14.5kW.
- The values above are for connecting with the following indoor unit types:
2.0,2.5,3.5,4.2,5.0,6.0 kW class
Wall-mounted FTXM-M series
- Heating capacity conditions
Indoor temperature 20°C DB
Outdoor temperature 7°C DB / 6°C WB
- Editable data for this drawing are available in the GDE(E-BOM) system.
- For additional information on the connection of the DHW generator for Multi and the Hybrid for Multi, see 3D106169.

3D105418

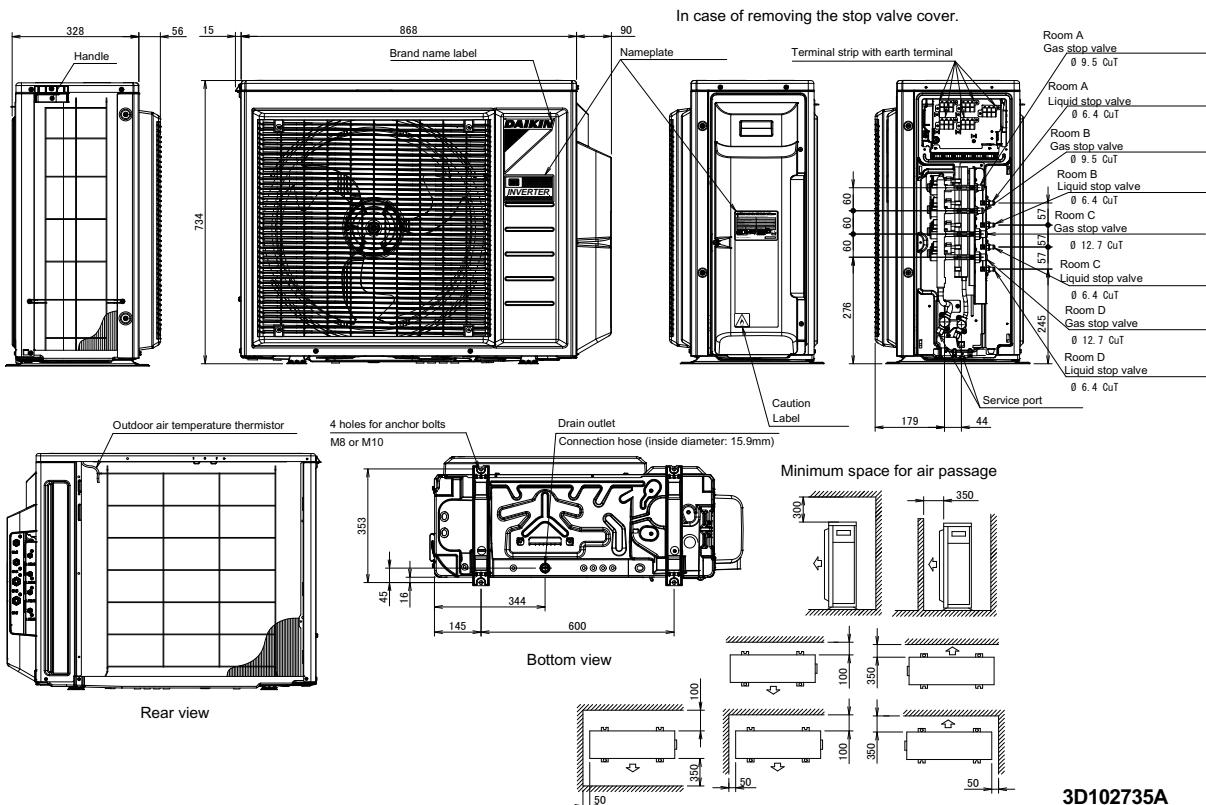
5 Dimensional drawings

5 - 1 Dimensional Drawings

4MXM68N



4MXM68N

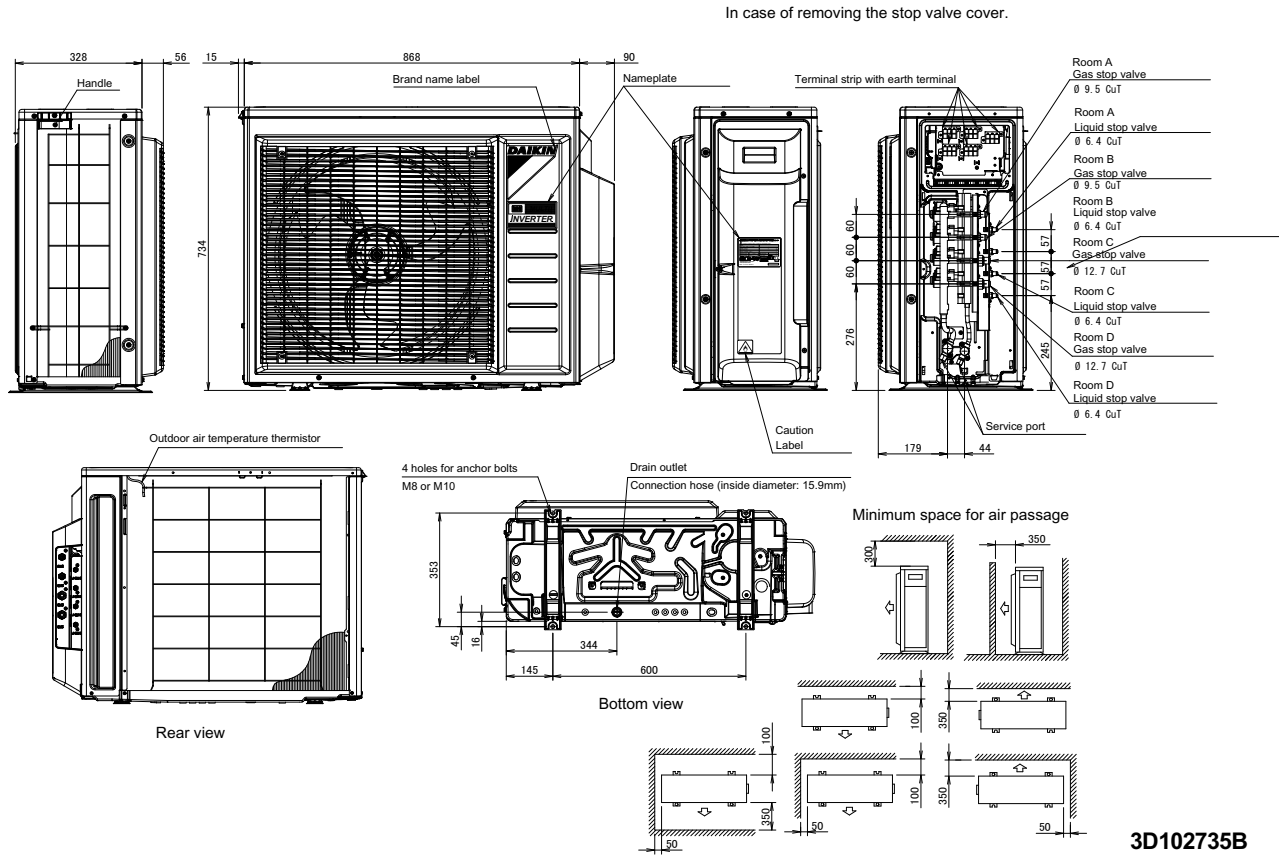


5 Dimensional drawings

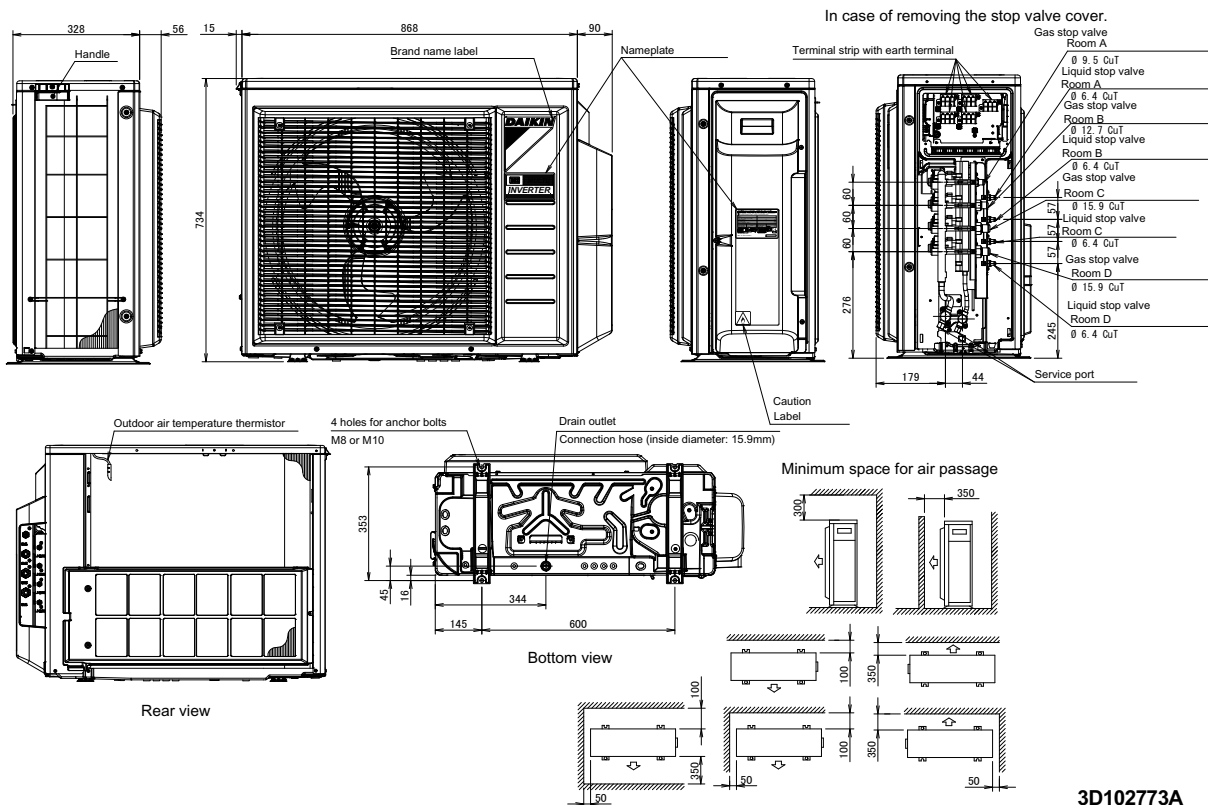
5 - 1 Dimensional Drawings

5

4MXM68N

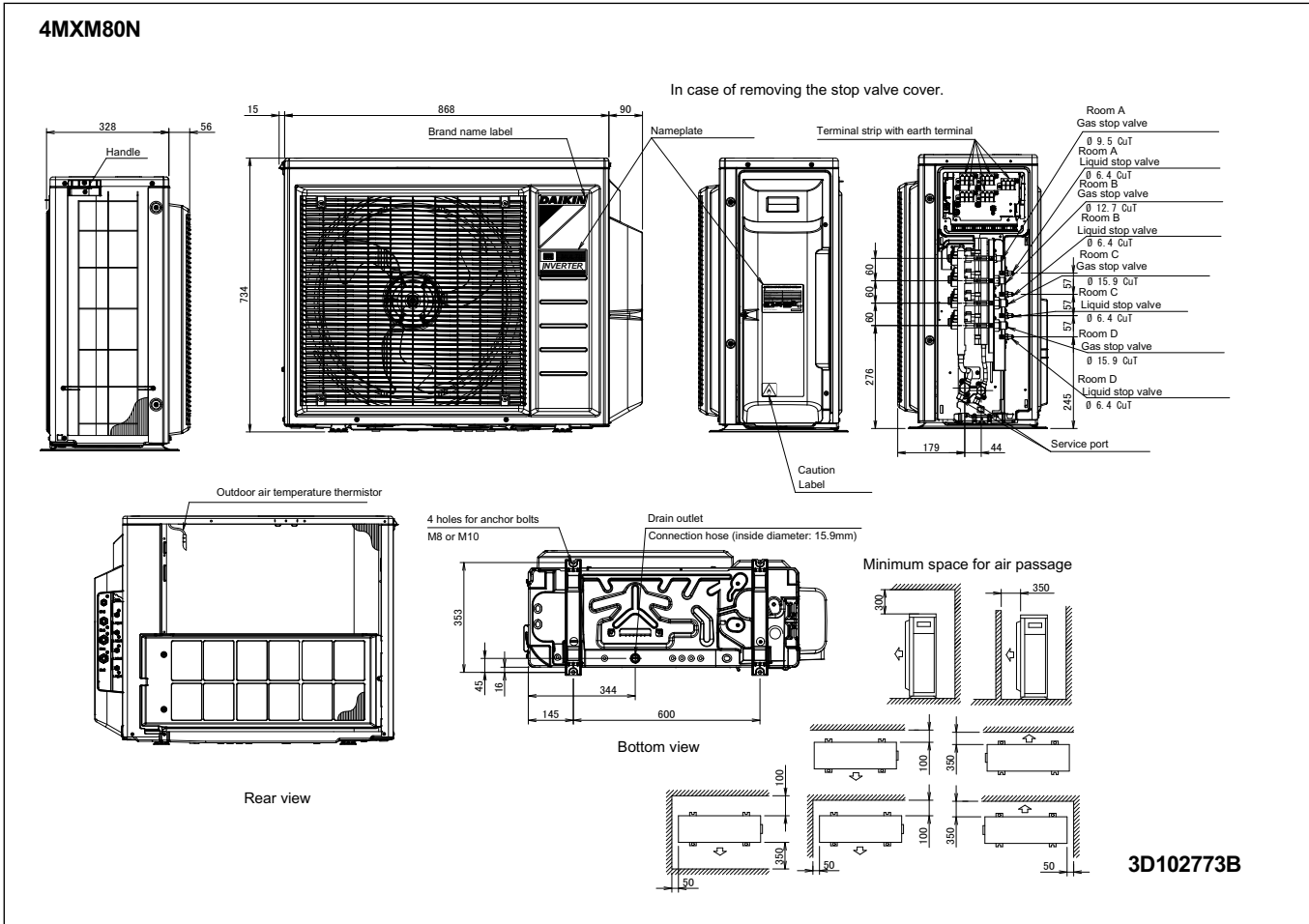


4MXM80N



5 Dimensional drawings

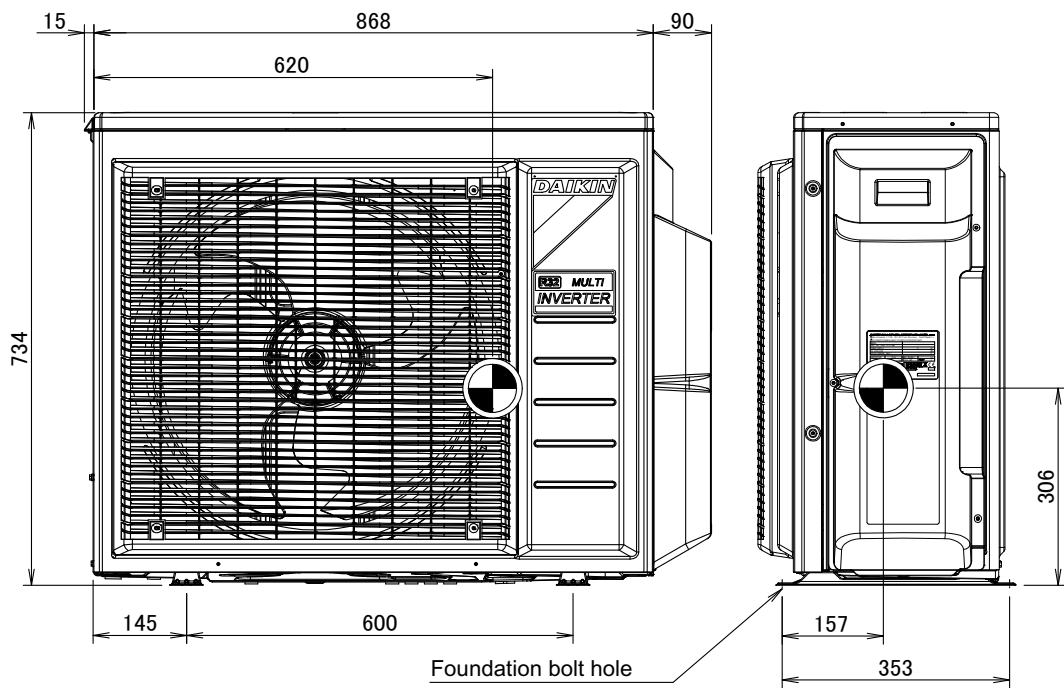
5 - 1 Dimensional Drawings



6 Centre of gravity

6 - 1 Centre of Gravity

4MXM68N

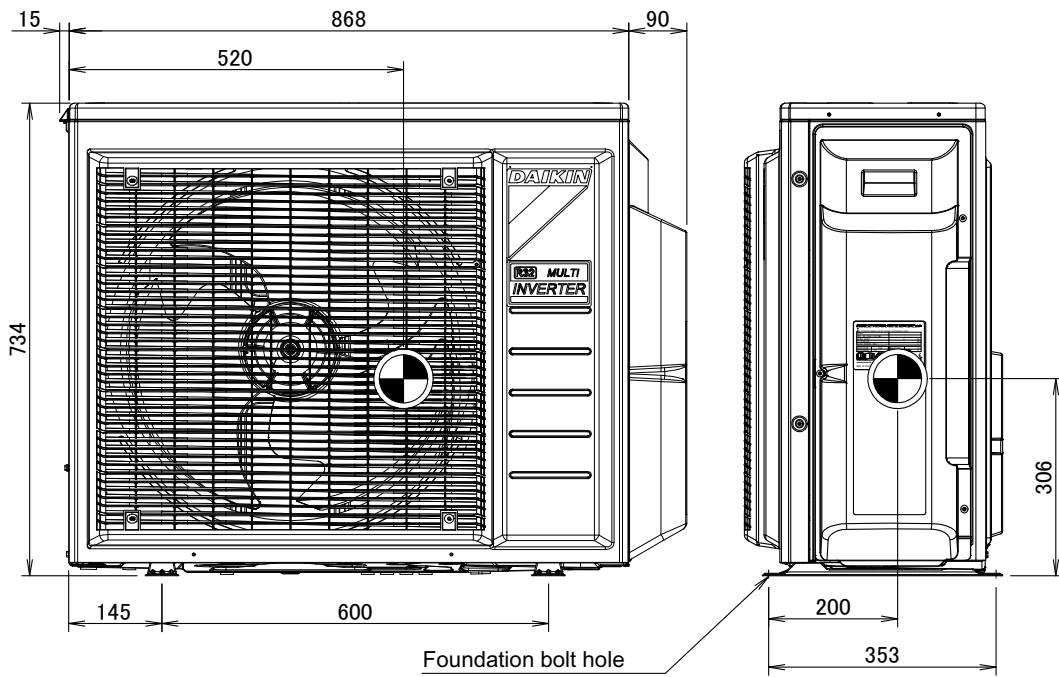


4D102822A

6 Centre of gravity

6 - 1 Centre of Gravity

4MXM80N



4D102821A

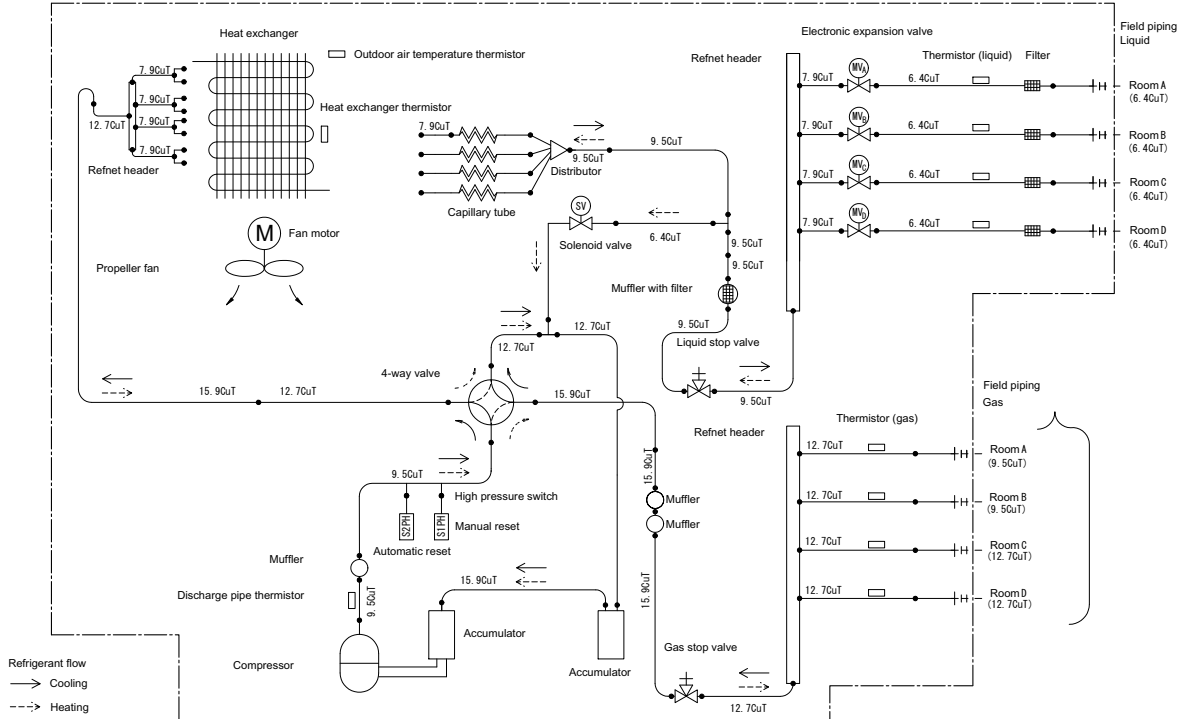
7 Piping diagrams

7 - 1 Piping Diagrams

7

4MXM68N

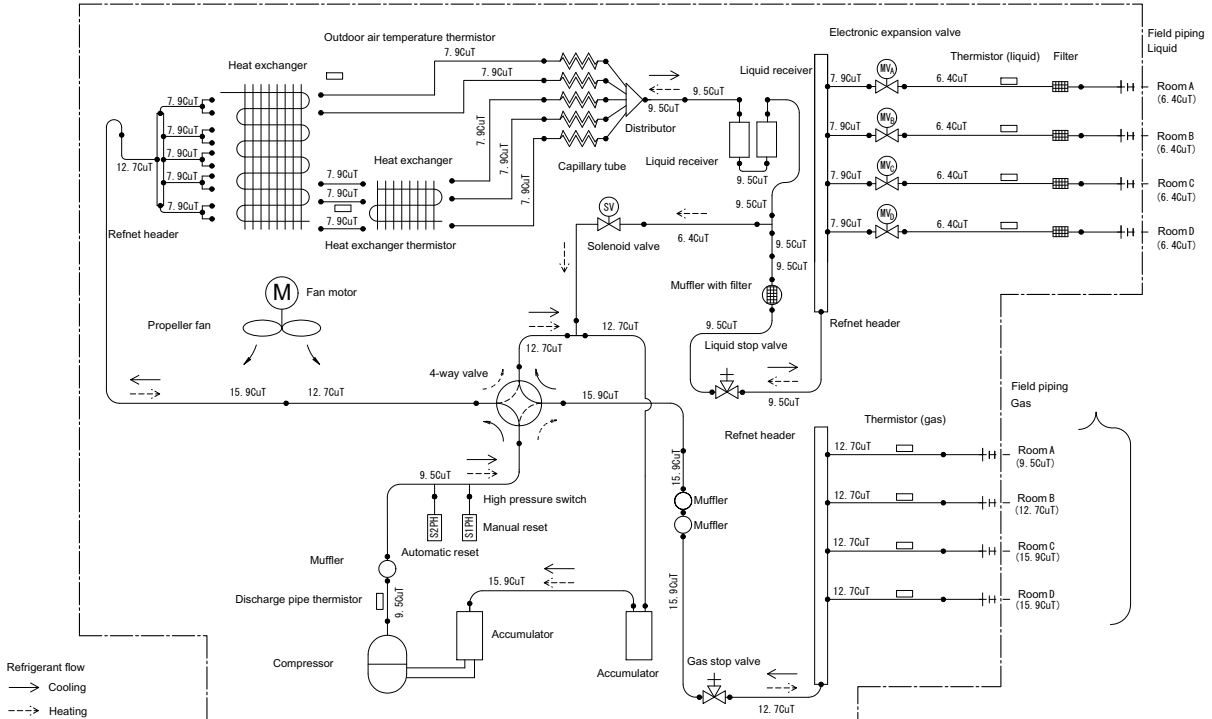
Outdoor Unit



3D100787B

4MXM80N

Outdoor Unit

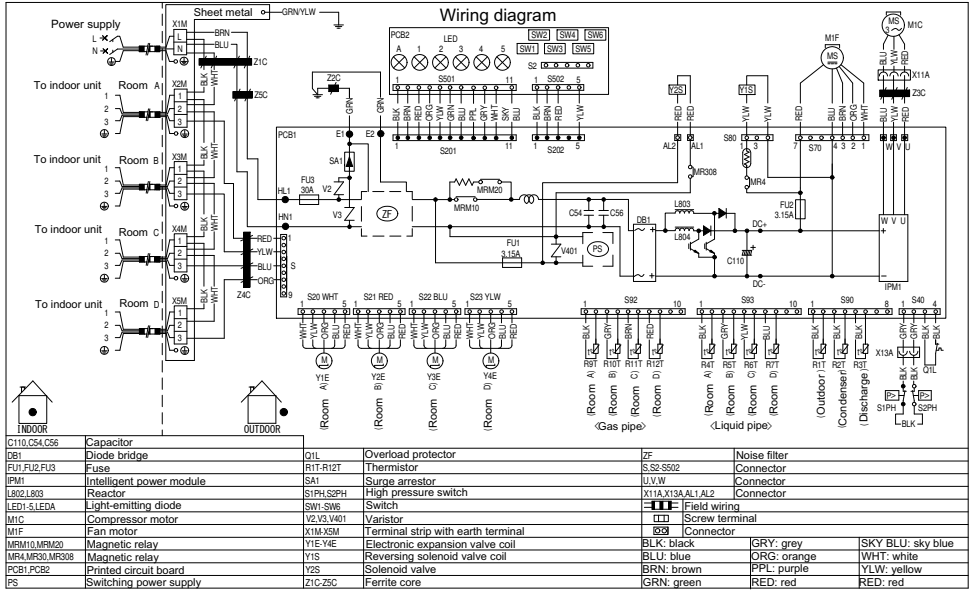


3D100791B

8 Wiring diagrams

8 - 1 Wiring Diagrams - Single Phase

4MXM68N



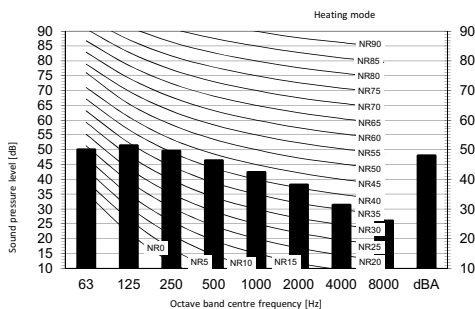
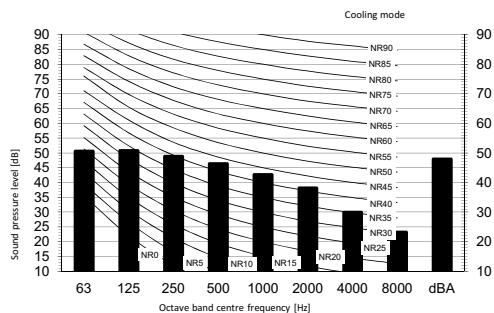
3D106249A

9 Sound data

9 - 1 Sound Pressure Spectrum

9

4MXM68N



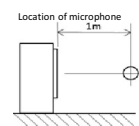
Legend

dBA = A-weighted sound pressure level (A scale according to IEC).

A Scale

High-tap

B



Cooling

Total dB

A	B
dBA	48

Heating

Total dB

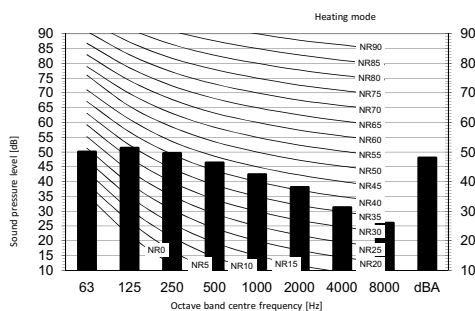
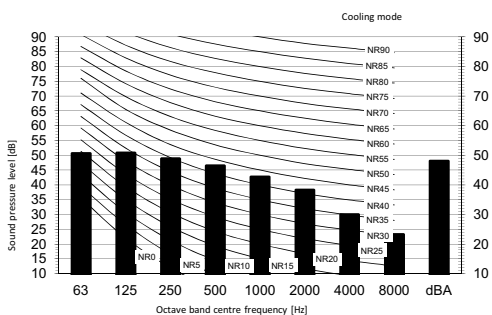
A	B
dBA	49

Notes

- Operating conditions: power source 220-240 V/220 V 50/60 Hz; JIS standard
- Background noise already taken into account.
- Operating noise varies depending on operation and ambient conditions.
- The operation noise measuring method is in accordance with JISC9612.
- Measuring location: anechoic chamber
- The values above are for connecting with the following indoor unit types: 1.5, 2.0, 2.5, 3.5, 4.2, 5.0, 6.0 kW Class

3D106224

4MXM80N



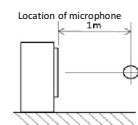
Legend

dBA = A-weighted sound pressure level (A scale according to IEC).

A Scale

High-tap

B



Cooling

Total dB

A	B
dBA	48

Heating

Total dB

A	B
dBA	49

Notes

- Operating conditions: power source 220-240 V/220 V 50/60 Hz; JIS standard
- Background noise already taken into account.
- Operating noise varies depending on operation and ambient conditions.
- The operation noise measuring method is in accordance with JISC9612.
- Measuring location: anechoic chamber
- The values above are for connecting with the following indoor unit types: 1.5, 2.0, 2.5, 3.5, 4.2, 5.0, 6.0, 7.1 kW Class

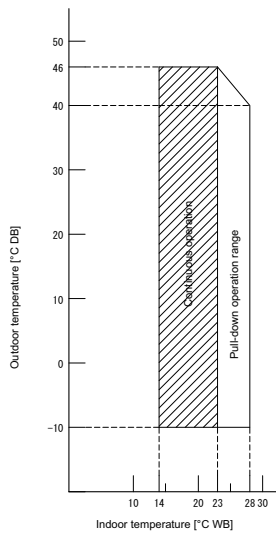
3D106225

10 Operation range

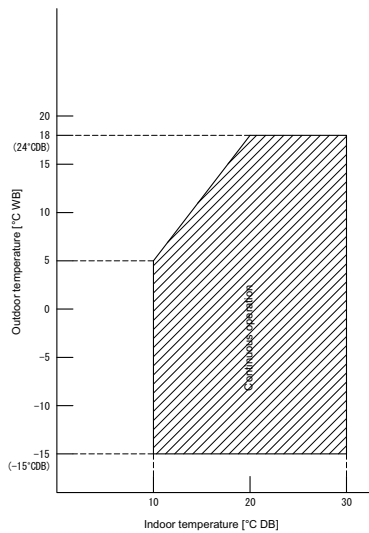
10 - 1 Operation Range

4MXM-N

Cooling



Heating



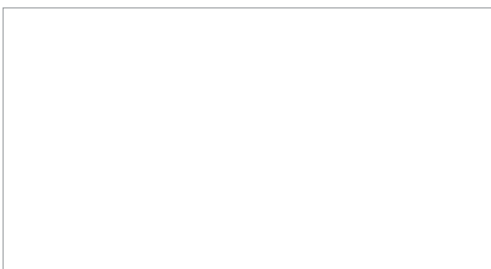
Notes

- The graph is based on the following conditions.
 Corresponding refrigerant piping length: 5 m
 Level difference: 0m
 Air flow rate High

3D101376A



Daikin Europe N.V. Naamloze Vennootschap - Zandvoordestraat 300, B-8400 Oostende - Belgium - www.daikin.eu - BE 0412 120 336 - RPR Oostende



EEDEN17 12/16



Daikin Europe N.V. participates in the Eurovent Certification programme for Liquid Chilling Packages (LCP), Air handling units (AHU), Fan coil units (FCU) and variable refrigerant flow systems (VRF) Check ongoing validity of certificate online: www.eurovent-certification.com or using: www.certiflash.com



The present leaflet is drawn up by way of information only and does not constitute an offer binding upon Daikin Europe N.V.. Daikin Europe N.V. has compiled the content of this leaflet to the best of its knowledge. No express or implied warranty is given for the completeness, accuracy, reliability or fitness for particular purpose of its content and the products and services presented therein. Specifications are subject to change without prior notice. Daikin Europe N.V. explicitly rejects any liability for any direct or indirect damage, in the broadest sense, arising from or related to the use and/or interpretation of this leaflet. All content is copyrighted by Daikin Europe N.V.