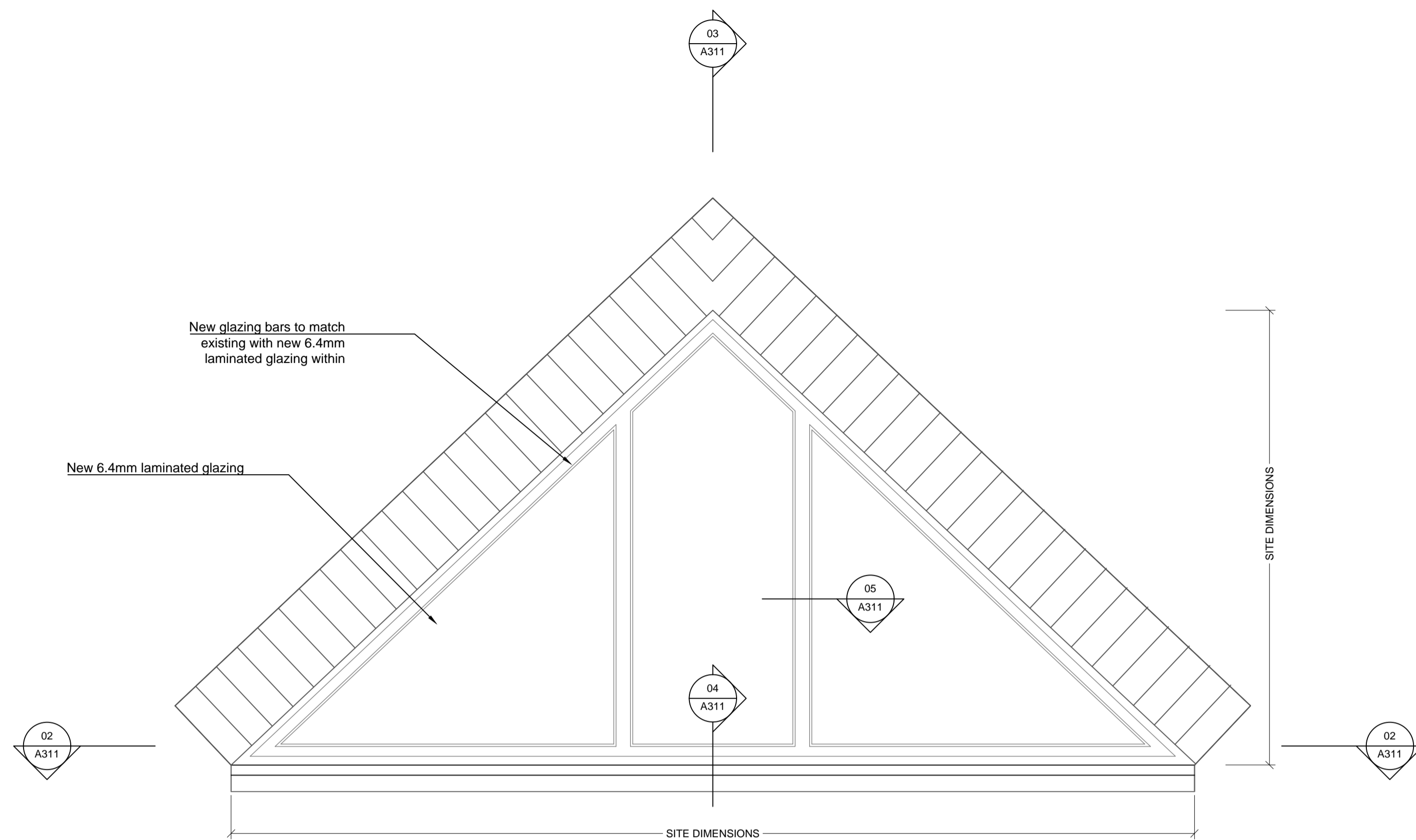
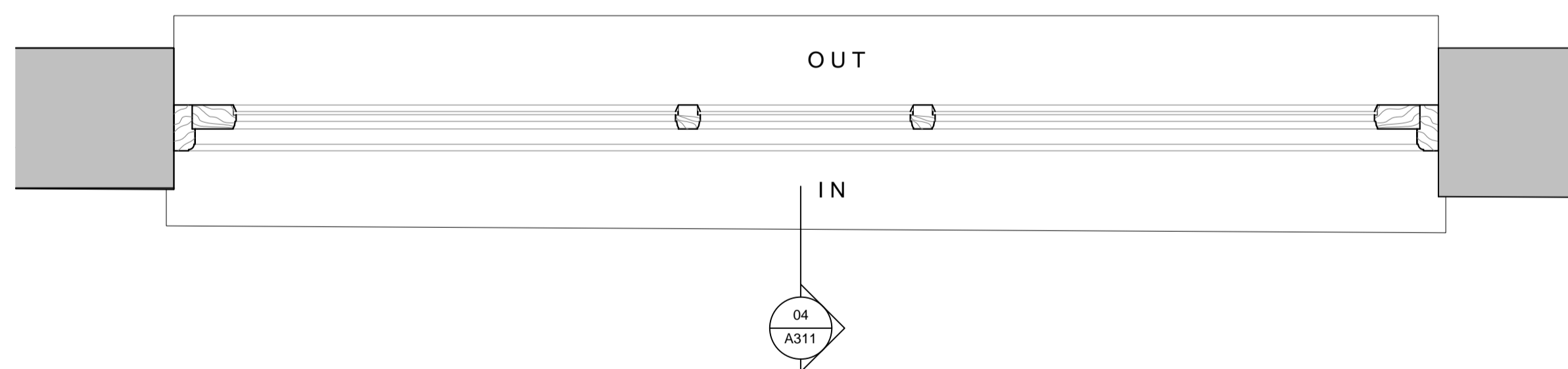


DO NOT SCALE FROM THIS DRAWING
 DRAWING TO BE READ IN CONJUNCTION WITH ALL OTHER ARCHITECTS
 AND ENGINEER'S CONTRACT DRAWING & SPECIFICATIONS.
 ANY DISCREPANCIES MUST BE BROUGHT TO THE ATTENTION OF THE
 ARCHITECT IMMEDIATELY.
 THE CONTRACTOR MUST VERIFY ALL DIMENSIONS BY SITE
 MEASUREMENT BEFORE ORDERING MATERIALS OR MANUFACTURING
 COMPONENTS.
 SUBSTITUTE MATERIALS & PRODUCTS TO THOSE NAMED WILL BE
 ACCEPTABLE IF PROVEN TO BE OF EQUAL OR HIGHER PERFORMANCE
 AND NOT IN CONFLICT WITH OTHER ELEMENTS.

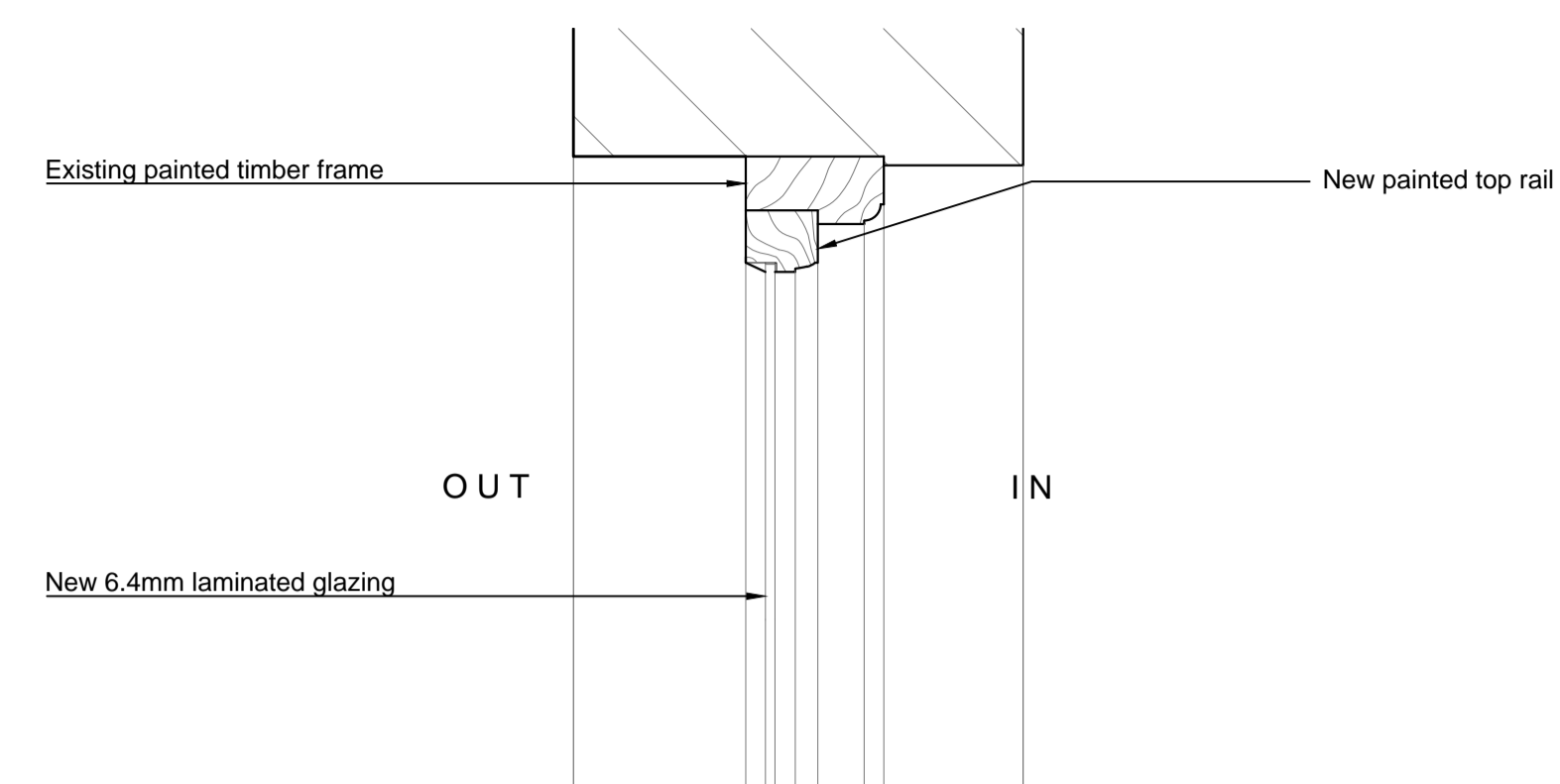
NOTES



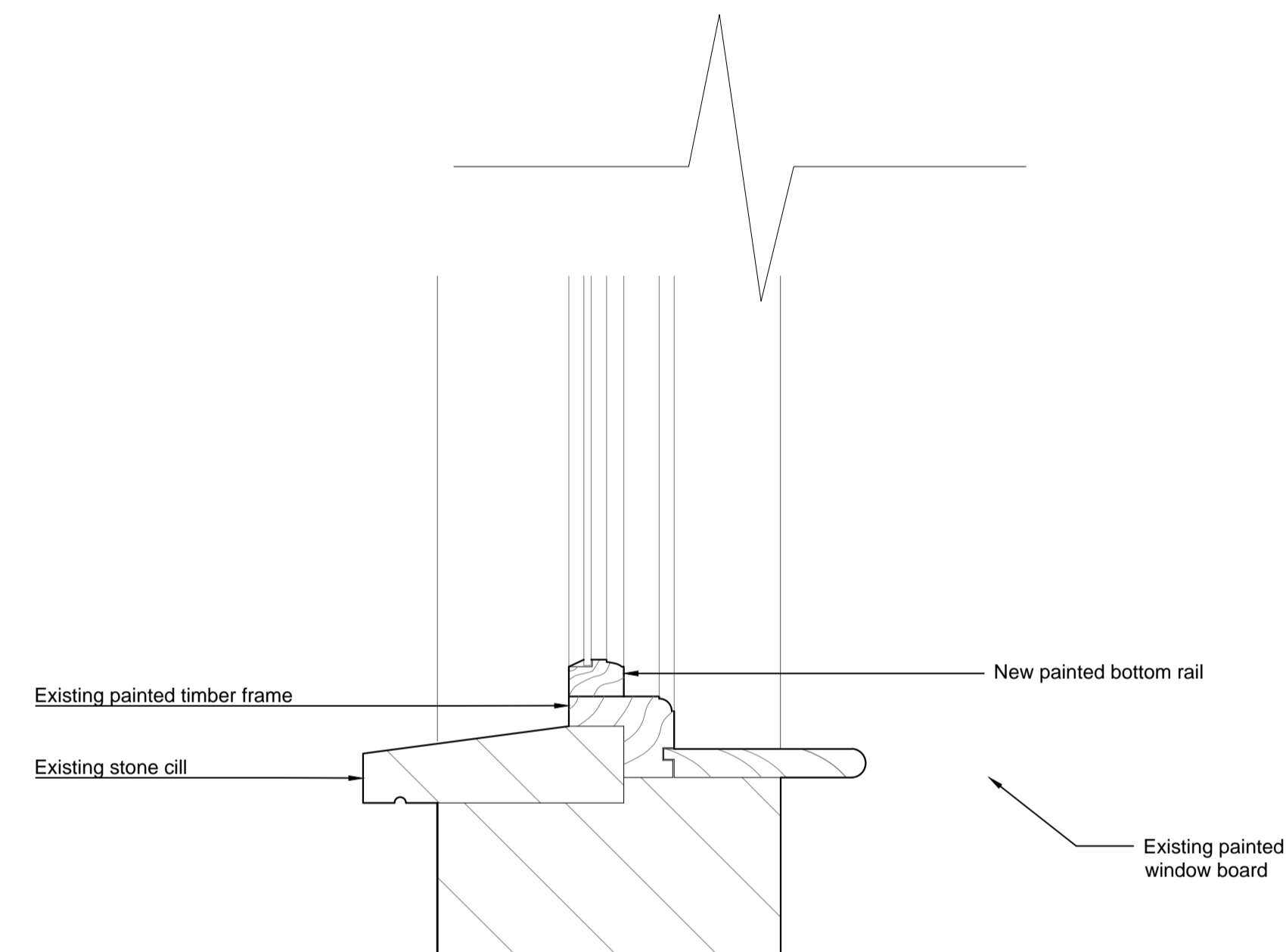
01 WINDOW TYPE 4A - EXTERNAL ELEVATION
 1:20@A3,1:10@A1



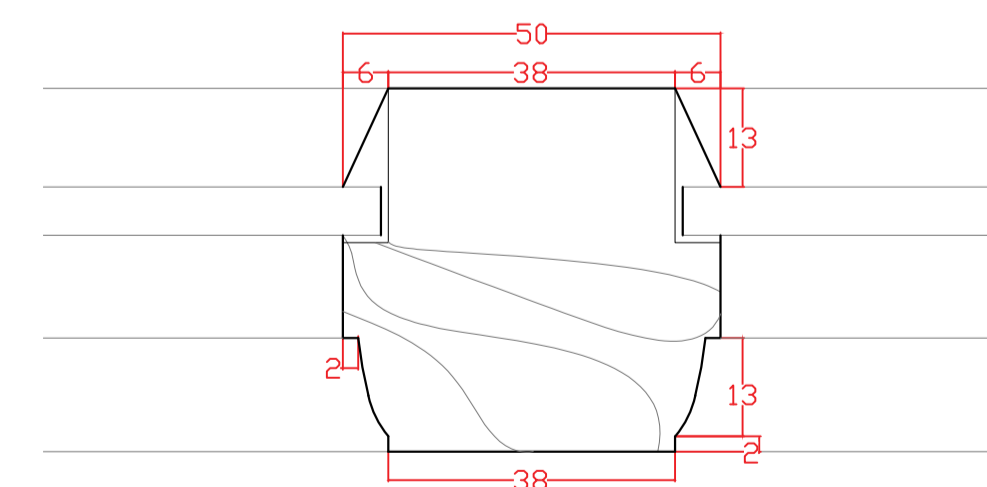
02 WINDOW TYPE 4A - JAMBS
 1:20@A3,1:10@A1



03 WINDOW TYPE 4A - HEAD
 1:10@A3,1:5@A1



04 WINDOW TYPE 4A - CILL
 1:10@A3,1:5@A1



05 WINDOW TYPE 4A - GLAZING BAR
 1:2@A3,1:1@A1

WINDOWS	
4A	WGF-12

REV. DATE DESCRIPTION

FOR PLANNING

JOB TITLE
 Keats Grove
 Hampstead
 DRAWING TITLE
 Window Type 4A
 Typical triangle studio window replacement
 JOB No. 546 DWG No. A311 REV. -
 DRAWN BY RFB SCALE (A4/A1) 1:10 / 1:5 / 1:1 DATE Dec18

RICHARD GRIFFITHS ARCHITECTS

5 Maidstone Mews, 72-76 Borough High Street, London SE1 1GN
 T +44(0)20 7357 8788 | F +44(0)20 7403 7887
 E admin@rgarchitects.com | www.rgarchitects.com