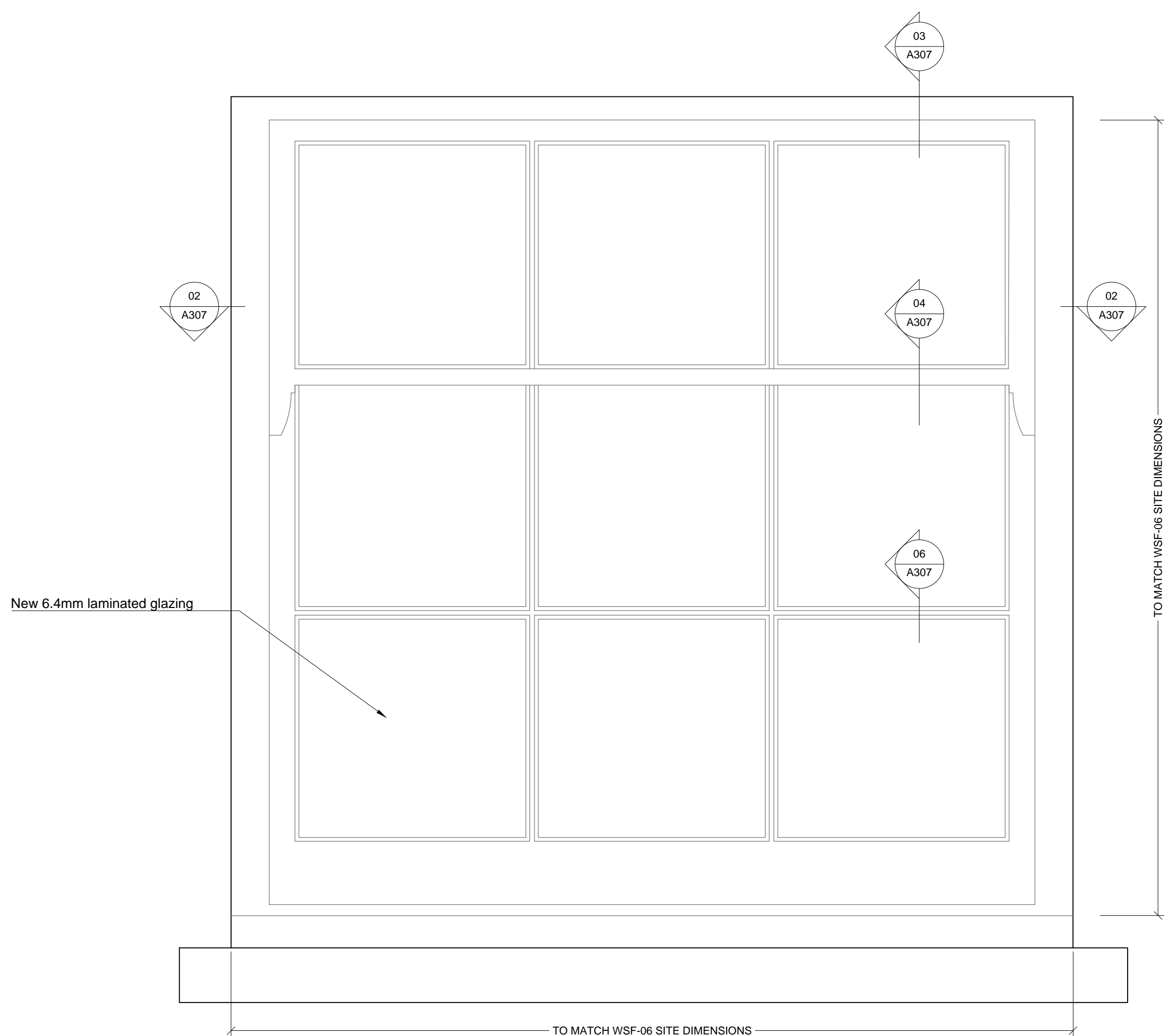
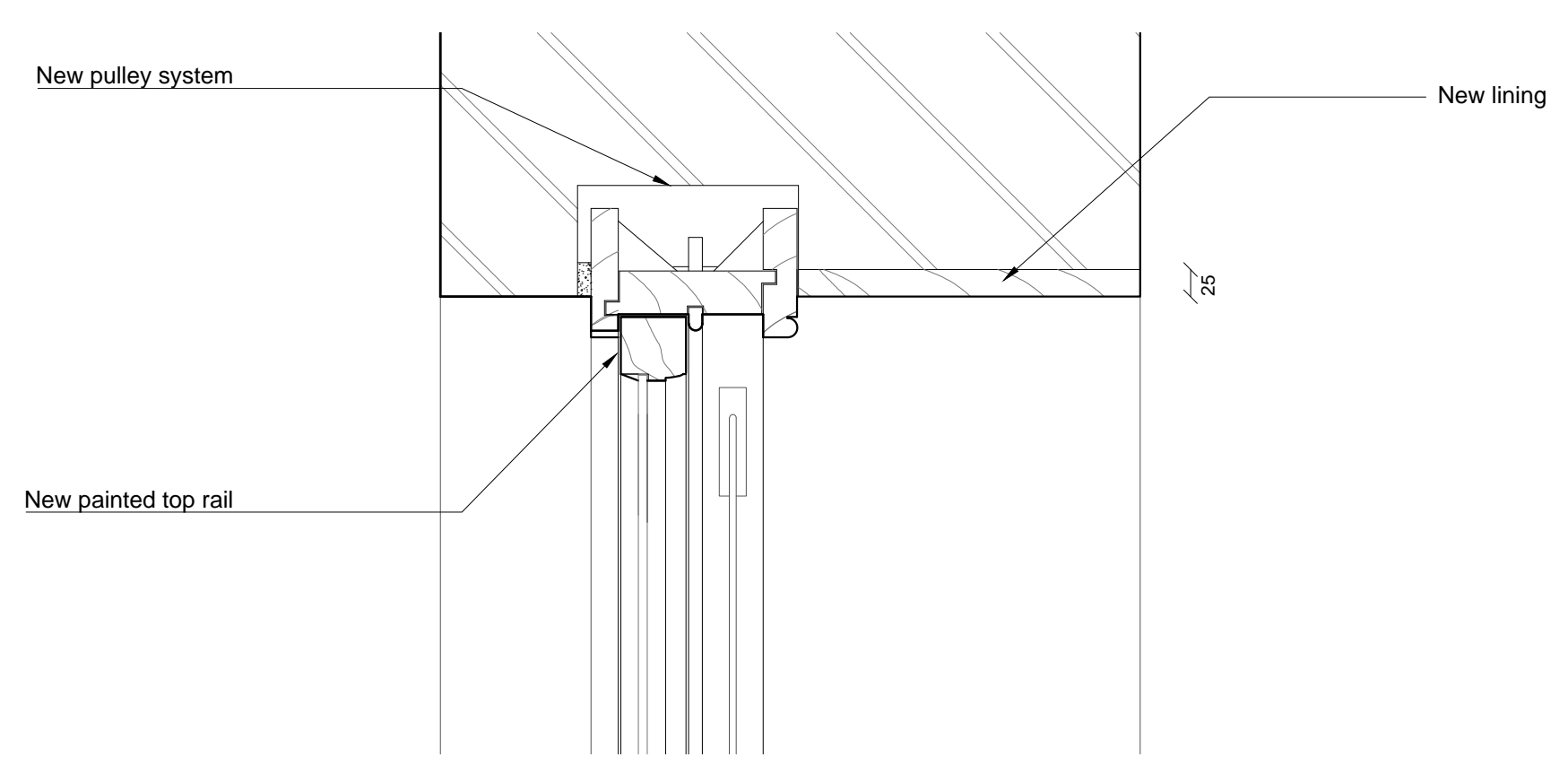


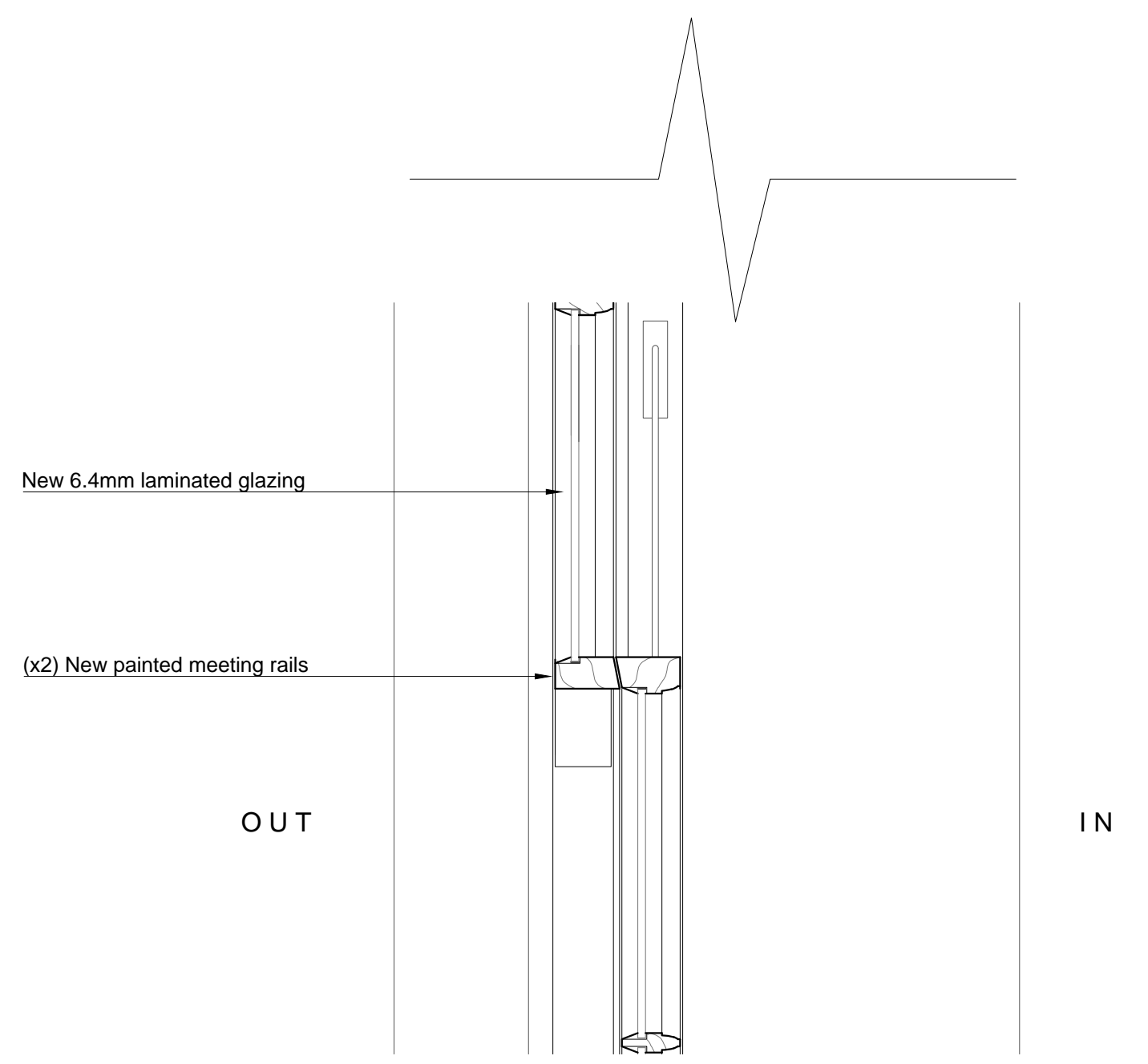
DO NOT SCALE FROM THIS DRAWING
 DRAWING TO BE READ IN CONJUNCTION WITH ALL OTHER ARCHITECTS
 AND ENGINEER'S CONTRACT DRAWING & SPECIFICATIONS.
 ANY DISCREPANCIES MUST BE BROUGHT TO THE ATTENTION OF THE
 ARCHITECT IMMEDIATELY.
 THE CONTRACTOR MUST VERIFY ALL DIMENSIONS BY SITE
 MEASUREMENT BEFORE ORDERING MATERIALS OR MANUFACTURING
 COMPONENTS.
 SUBSTITUTE MATERIALS & PRODUCTS TO THOSE NAMED WILL BE
 ACCEPTABLE IF PROVEN TO BE OF EQUAL OR HIGHER PERFORMANCE
 AND NOT IN CONFLICT WITH OTHER ELEMENTS.



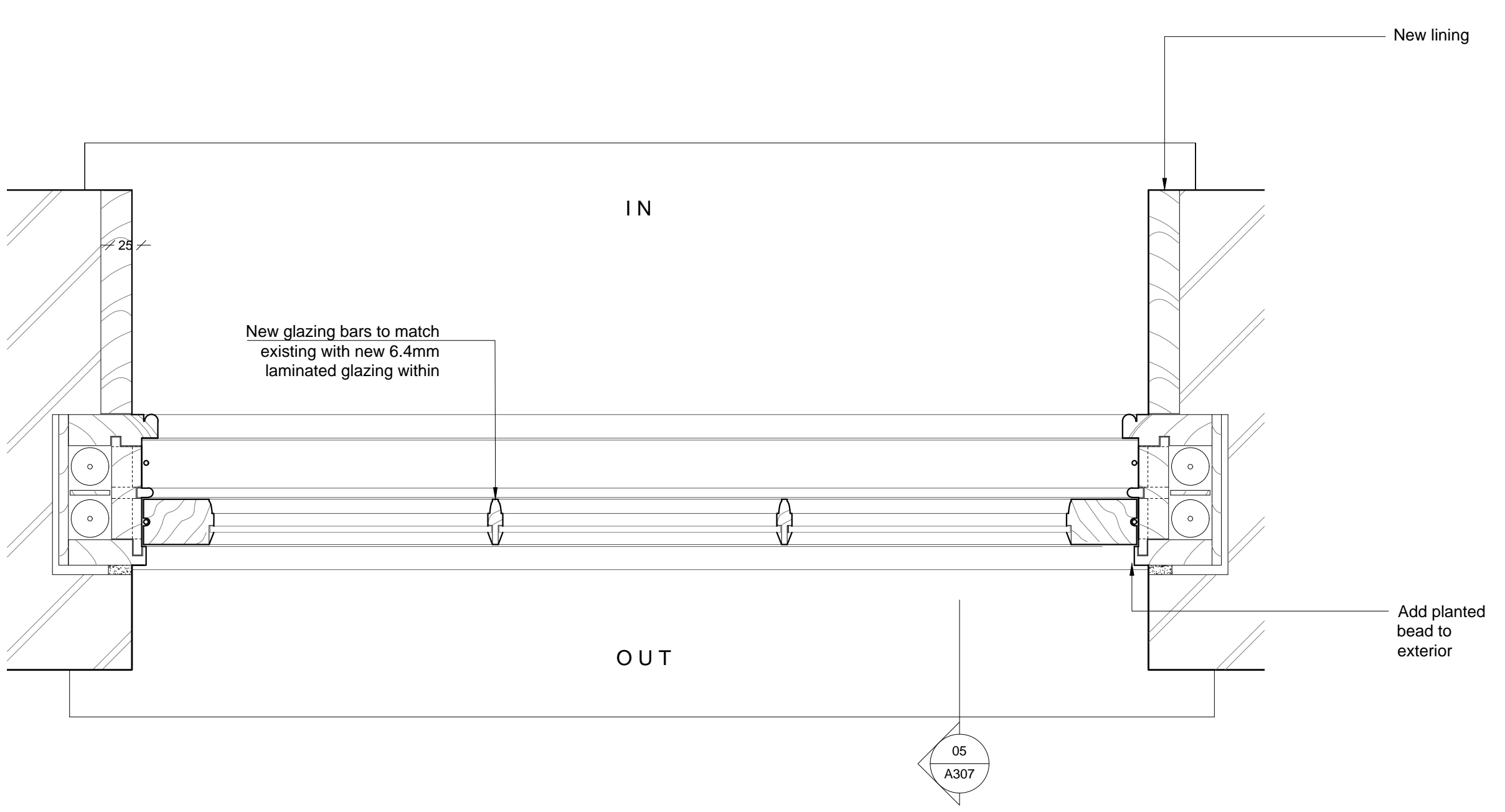
01 WINDOW TYPE 2D - EXTERNAL ELEVATION
 1:10@A3,1:5@A1



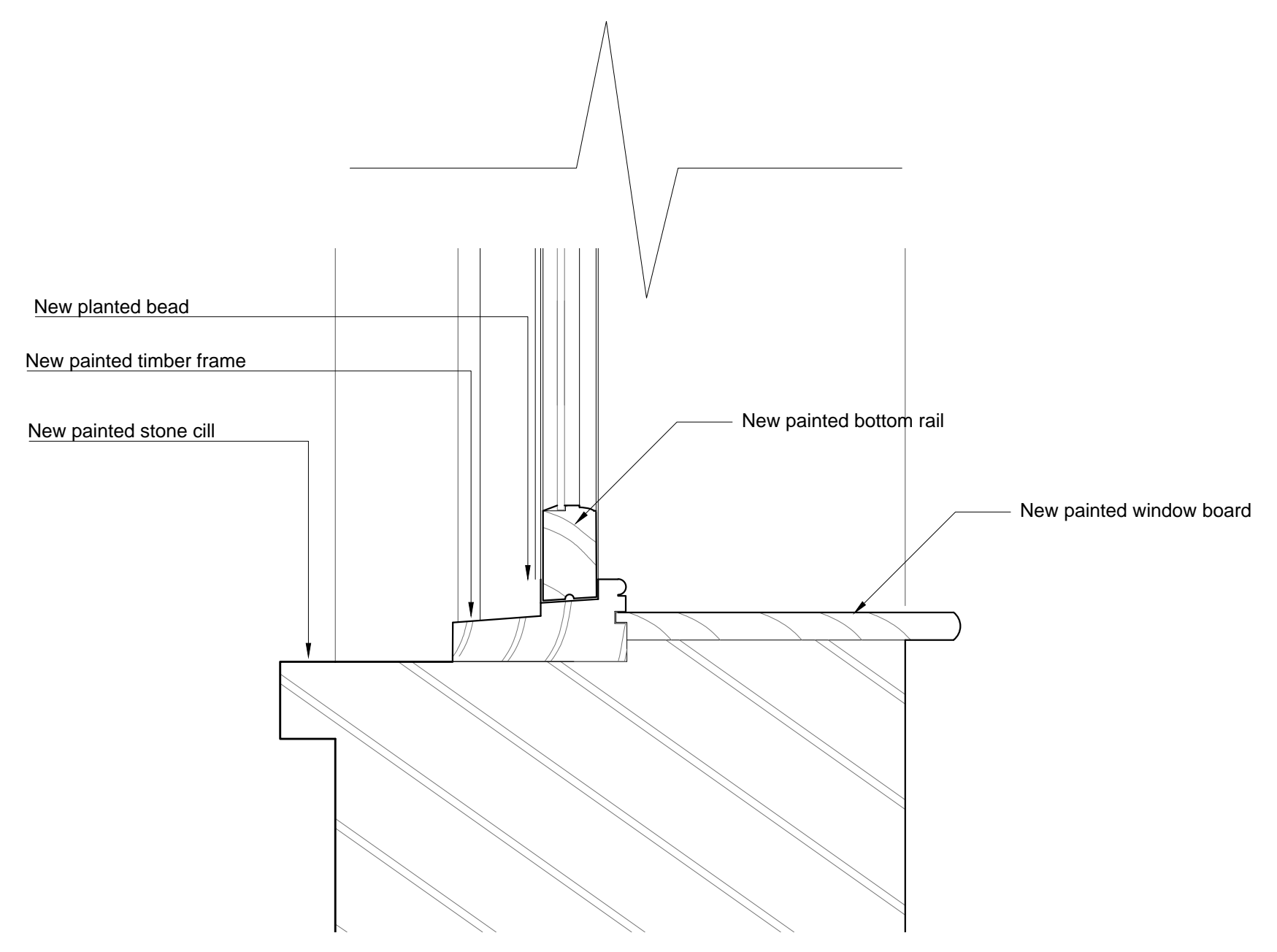
03 WINDOW TYPE 2D - HEAD
 1:10@A3,1:5@A1



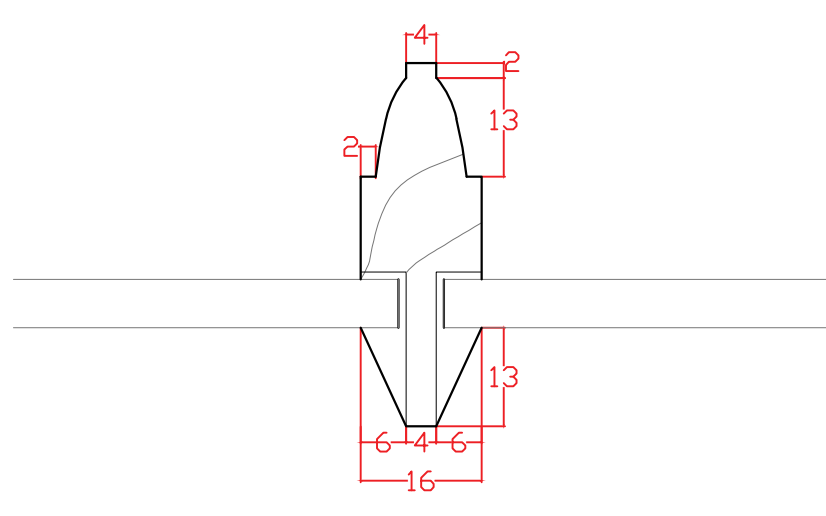
04 WINDOW TYPE 2D - MEETING RAIL
 1:10@A3,1:5@A1



02 WINDOW TYPE 2D - SASH JAMBS
 1:10@A3,1:5@A1



05 WINDOW TYPE 2D - CILL
 1:10@A3,1:5@A1



06 WINDOW TYPE 2D - GLAZING BAR
 1:2@A3,1:1@A1

WINDOWS	
2E	WLG - 10

FOR PLANNING

JOB TITLE
 Keats Grove
 Hampstead
 DRAWING TITLE
 Window Type 2E
 New Studio Sash
 JOB No: 546
 DWG No: A307
 DRAWN BY: RFB
 SCALE (A1): 1:5@A1, 1:10@A3
 DATE: Dec18

RICHARD GRIFFITHS ARCHITECTS
 5 Maidstone Mews, 72-76 Borough High Street, London SE1 1GN
 T +44(0)20 7357 8788 | F +44(0)20 7403 7887
 E admin@rgarchitects.com | www.rgarchitects.com

