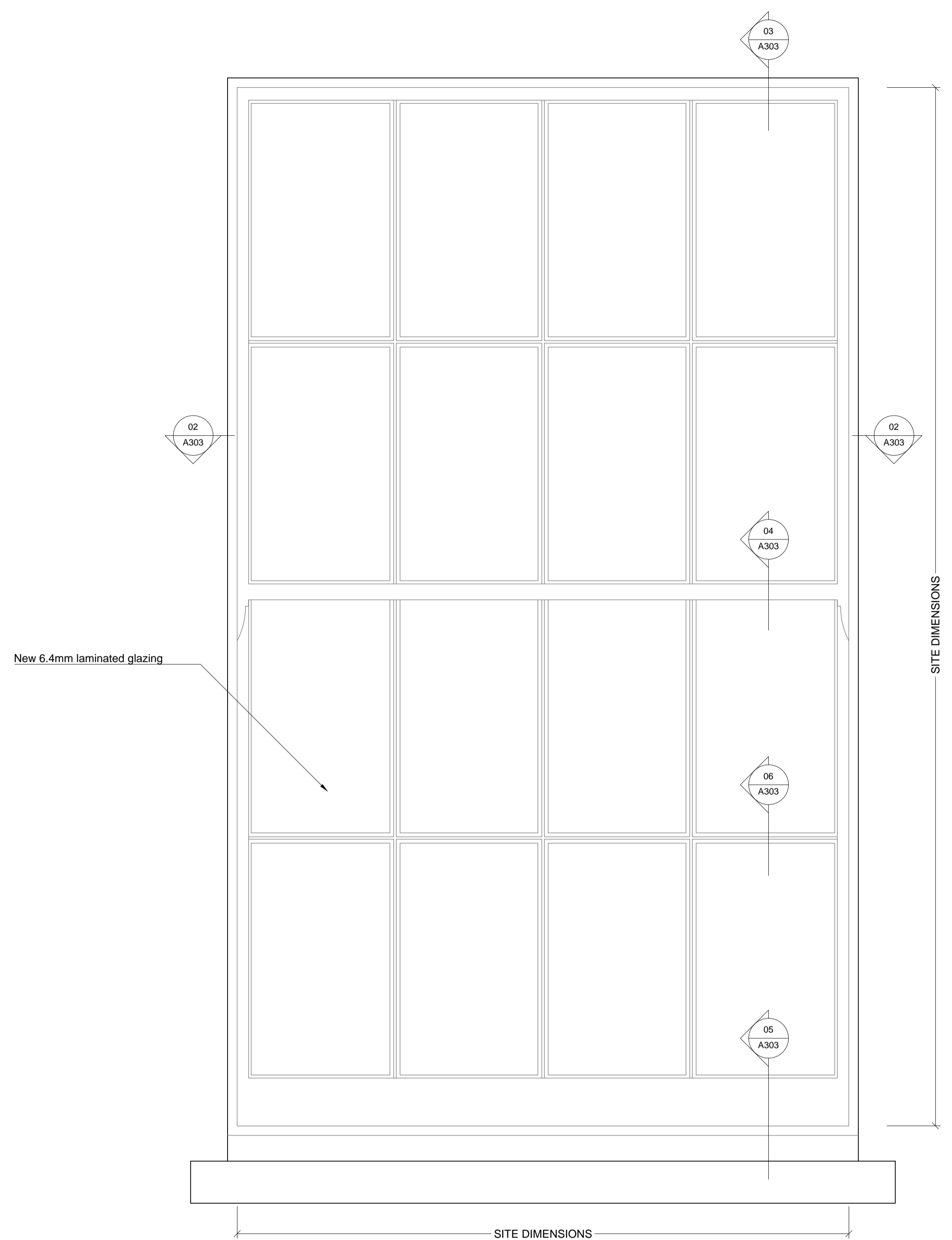
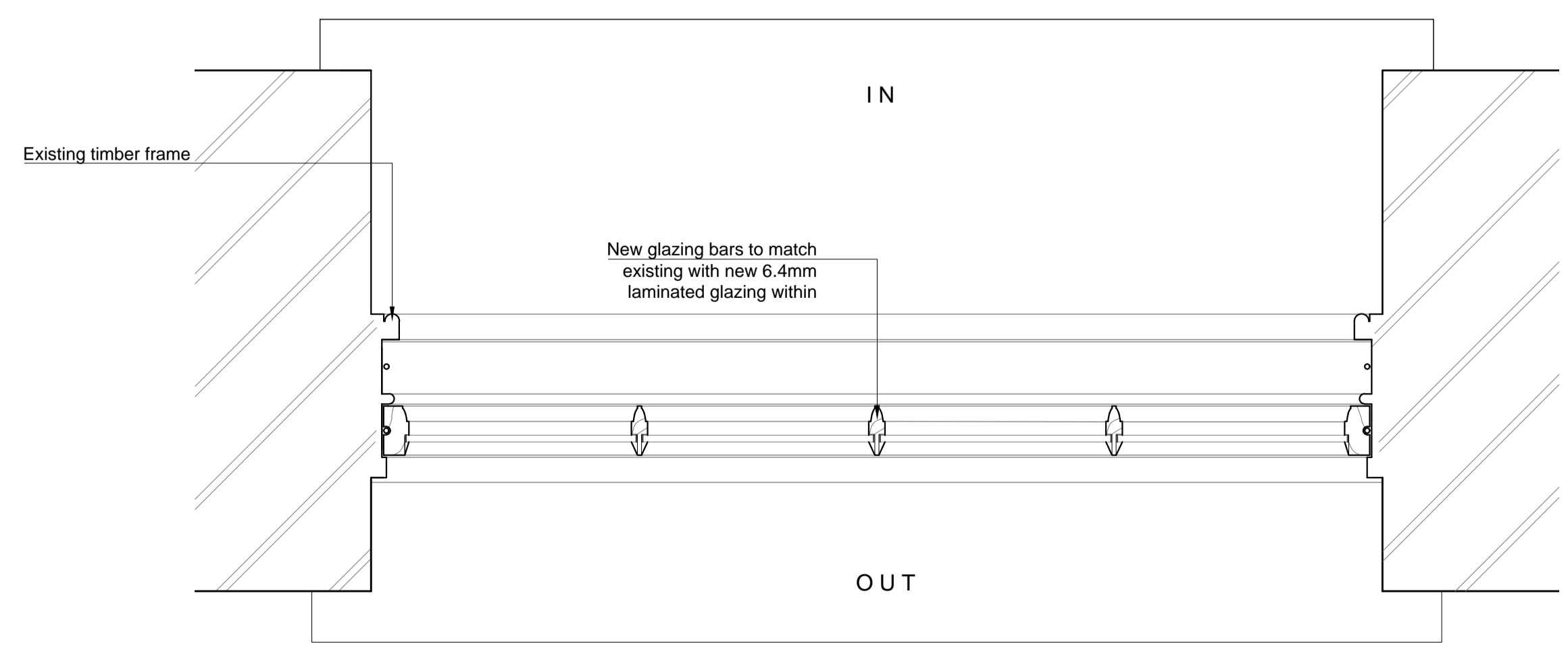


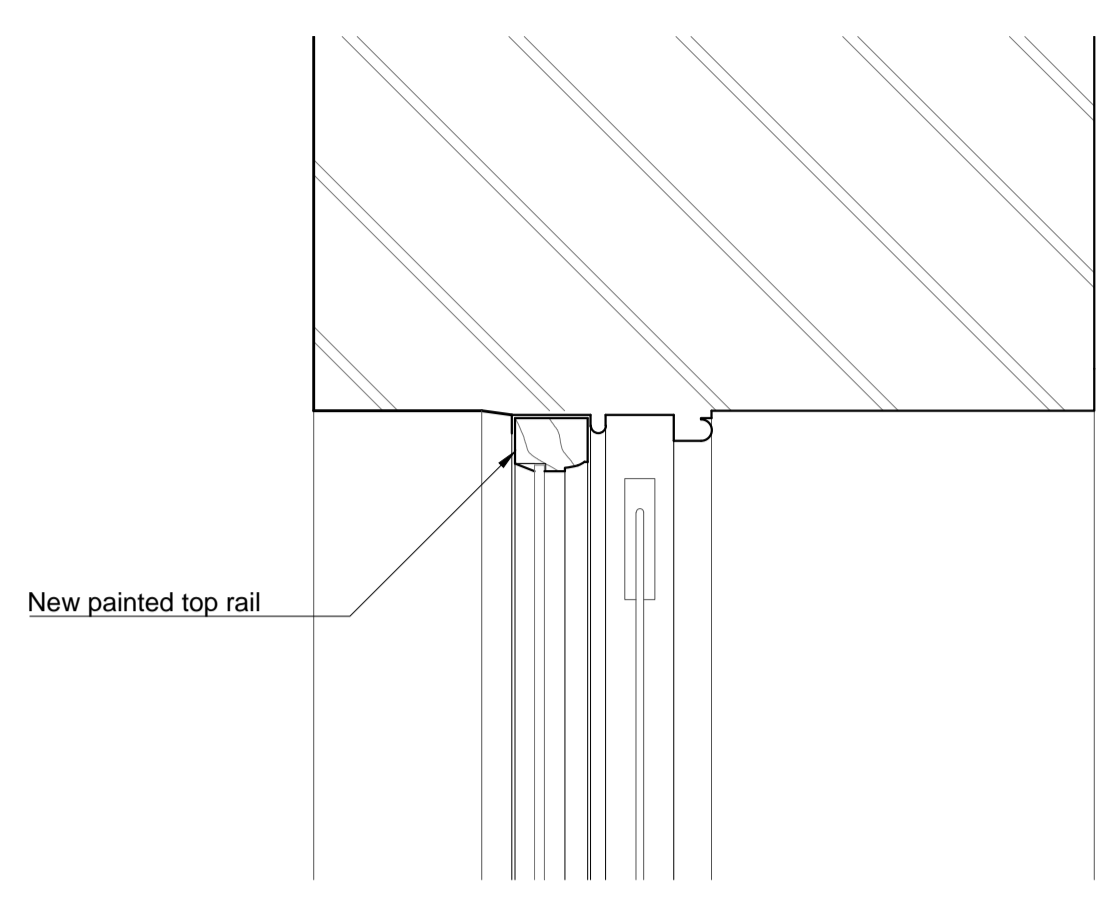
DO NOT SCALE FROM THIS DRAWING  
 DRAWING TO BE READ IN CONJUNCTION WITH ALL OTHER ARCHITECTS  
 AND ENGINEER'S CONTRACT DRAWING & SPECIFICATIONS.  
 ANY DISCREPANCIES MUST BE BROUGHT TO THE ATTENTION OF THE  
 ARCHITECT IMMEDIATELY.  
 THE CONTRACTOR MUST VERIFY ALL DIMENSIONS BY SITE  
 MEASUREMENT BEFORE ORDERING MATERIALS OR MANUFACTURING  
 COMPONENTS.  
 SUBSTITUTE MATERIALS & PRODUCTS TO THOSE NAMED WILL BE  
 ACCEPTABLE IF PROVEN TO BE OF EQUAL OR HIGHER PERFORMANCE  
 AND NOT IN CONFLICT WITH OTHER ELEMENTS.



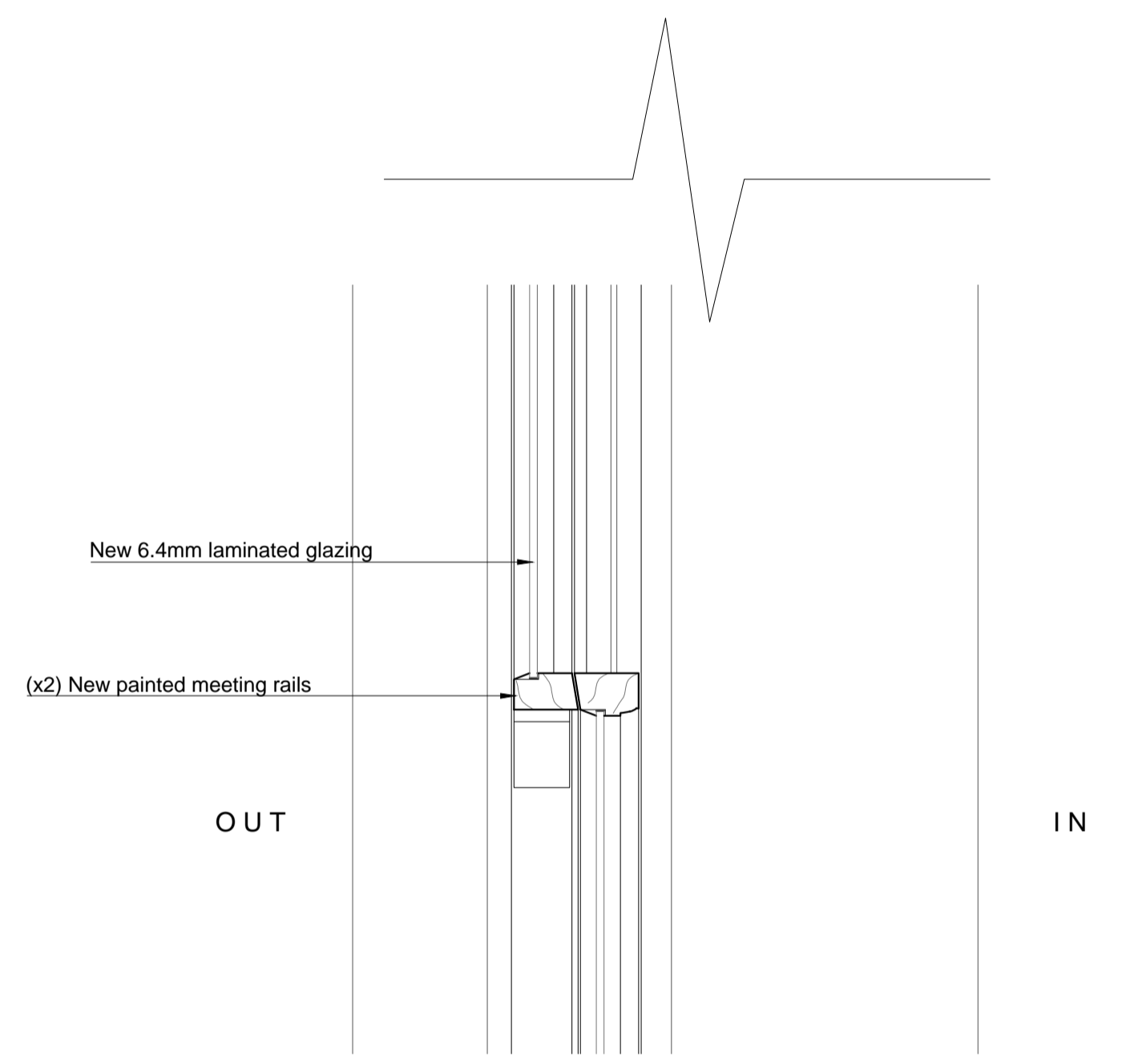
01 WINDOW TYPE 2A - EXTERNAL ELEVATION  
 1:10@A3,1:5@A1



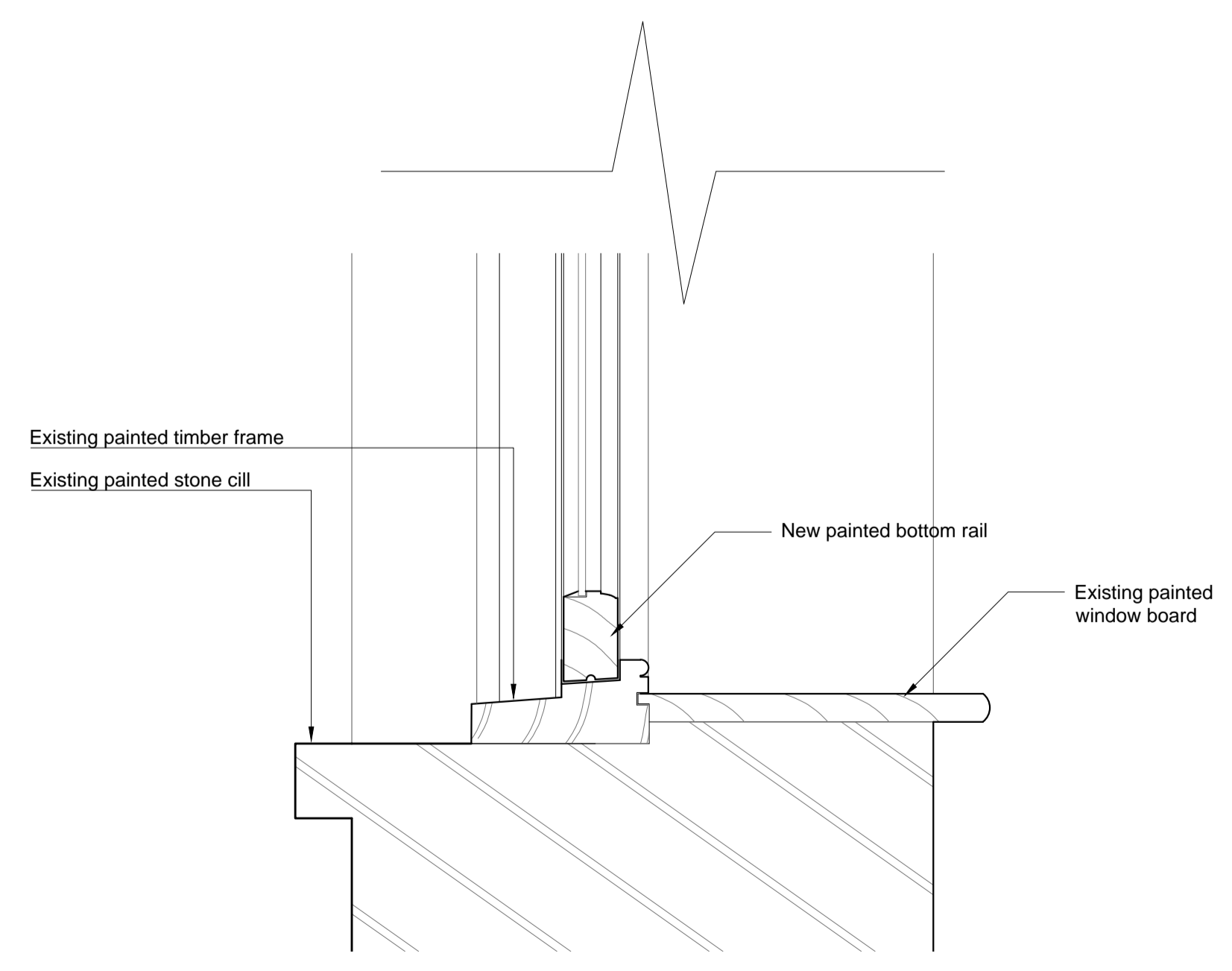
02 WINDOW TYPE 2A - SASH JAMBS  
 1:10@A3,1:5@A1



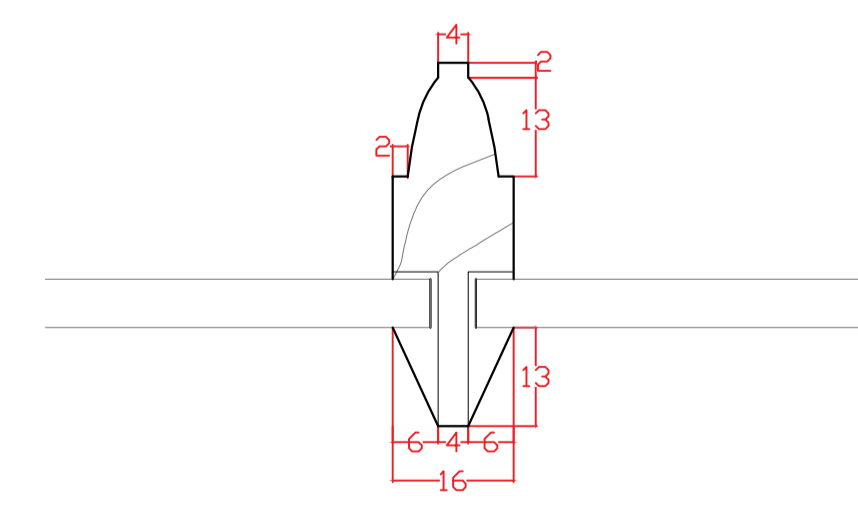
03 WINDOW TYPE 2A - HEAD  
 1:10@A3,1:5@A1



04 WINDOW TYPE 2A - MEETING RAIL  
 1:10@A3,1:5@A1



05 WINDOW TYPE 2A - CILL  
 1:10@A3,1:5@A1



06 WINDOW TYPE 2A - GLAZING BAR  
 1:2@A3,1:1@A1

WINDOWS	
2A	WLGf-11
	WLGf-12
	WGF-11

REV	DATE	DESCRIPTION

**FOR PLANNING**

JOB TITLE  
 Keats Grove  
 Hampstead  
 DRAWING TITLE  
 Window Type 2A  
 Typical Sash Replacement  
 JOB No: 546  
 DWG No: A303  
 DRAWN BY: RFB  
 SCALE (A1): 1:5@A1, 1:10@A3  
 DATE: Dec18

**RICHARD GRIFFITHS ARCHITECTS**  
 5 Maidstone Mews, 72-76 Borough High Street, London SE1 1GN  
 T +44(0)20 7357 8788 | F +44(0)20 7403 7887  
 E admin@rgarchitects.com | www.rgarchitects.com

