

Sign A1

One aluminium fascia c/w a set of built up individual house name letters c/w white neon to face
 Size 5900mm x 700mm (cap height 400mm)
 G/CI 3000mm D 50mm



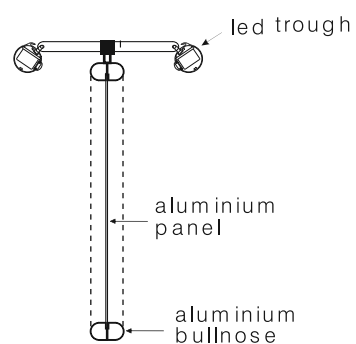
Sign A2

One aluminium fascia c/w a set of built up individual house name letters c/w white neon to face
 Size 7400mm x 700mm (cap height 400mm)
 G/CI 3000mm D 50mm



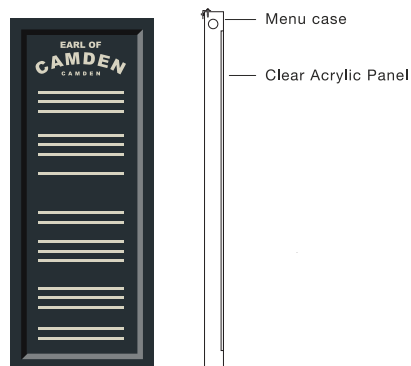
Sign B

One aluminium bullnose double sided pictorial fixed on a wall mounted gibbet illuminated by trough light
 Size 700mm x 700mm
 G/CI 3000mm D 100mm



Sign C

Three internally illuminated menu cases
 Size 900mm x 400mm
 G/CI 1000mm D 50mm



Sign D

Six wall mounted lights
 G/CI 2000mm



INSIGNIA
 SIGNS & SERVICES

STAND OUT FROM THE CROWD

PLANNING
SITE DETAILS

W0007050

STONEGATE PUB CO

EARL OF CAMDEN

CAMDEN

17 01 19cc
 REV A

COLOURS

F&B BLUE BLACK

SIGN COLOUR/
 WINDOW FRAMES

RAL 2000

SIGN LETTERS

NB: PLEASE ALWAYS REFER TO ACTUAL PAINT REFERENCES FOR AN ACCURATE COLOUR MATCH.

THIS DOCUMENT IS THE PROPERTY OF INSIGNIA SIGNS & SERVICES LTD. WHO OWN THE COPYRIGHT THEREIN.

THE INFORMATION IN THIS DOCUMENT IS GIVEN IN CONFIDENCE AND WITHOUT THE WRITTEN PERMISSION OF INSIGNIA SIGNS & SERVICES LTD.

GIVEN BY CONTRACT OR OTHERWISE THE DOCUMENT MUST NOT BE COPIED, REPRINTED OR REPRODUCED IN ANY MATERIAL FORM EITHER WHOLLY OR IN PART NOR MUST THE CONTENTS OF THE DOCUMENT OR ANY METHOD OR TECHNIQUE AVAILABLE THEREFROM BE DISCLOSED TO ANY THIRD PARTY.