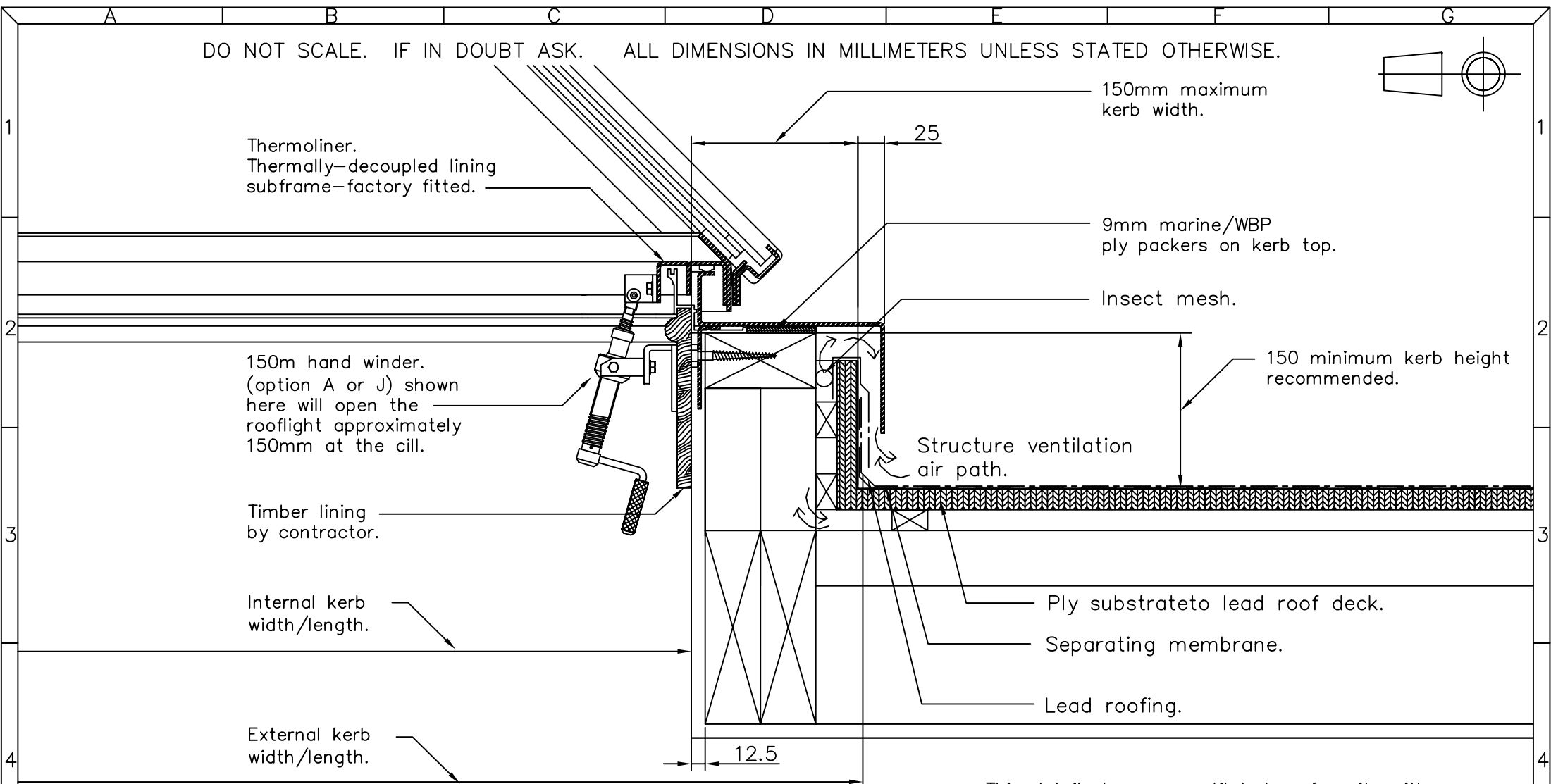
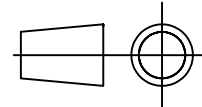




DO NOT SCALE. IF IN DOUBT ASK. ALL DIMENSIONS IN MILLIMETERS UNLESS STATED OTHERWISE.



This detail shows a ventilated roof cavity with a lead/sheet covering over.

Revision B. Zone D2. Fixing bracket added. 23/10/01. IM.

The Metal Window Company Limited  
 Unit 8, Wychwood Busines Centre  
 Milton Road  
 Shipton-Under-Wychwood  
 Oxon OX7 6XU

Telephone: 01993-830-613  
 Fax: 01993-831-066  
 Email: info@metalwindow.co.uk

Note.

This is not a constructional proposal. It is a suggestion of one possible roof kerb detail. Designers/ contractors should devise kerb details appropriate to the circumstances.

Drawing Ref/No. 11056-01

Title. KERB DETAIL FOR  
 PYR/LTN/POL ROOFLIGHTS

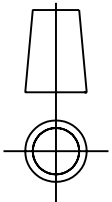
Scale. N.T.S Date:23/10/01

Drawn By:IM

Checked By:IM Revision No. B

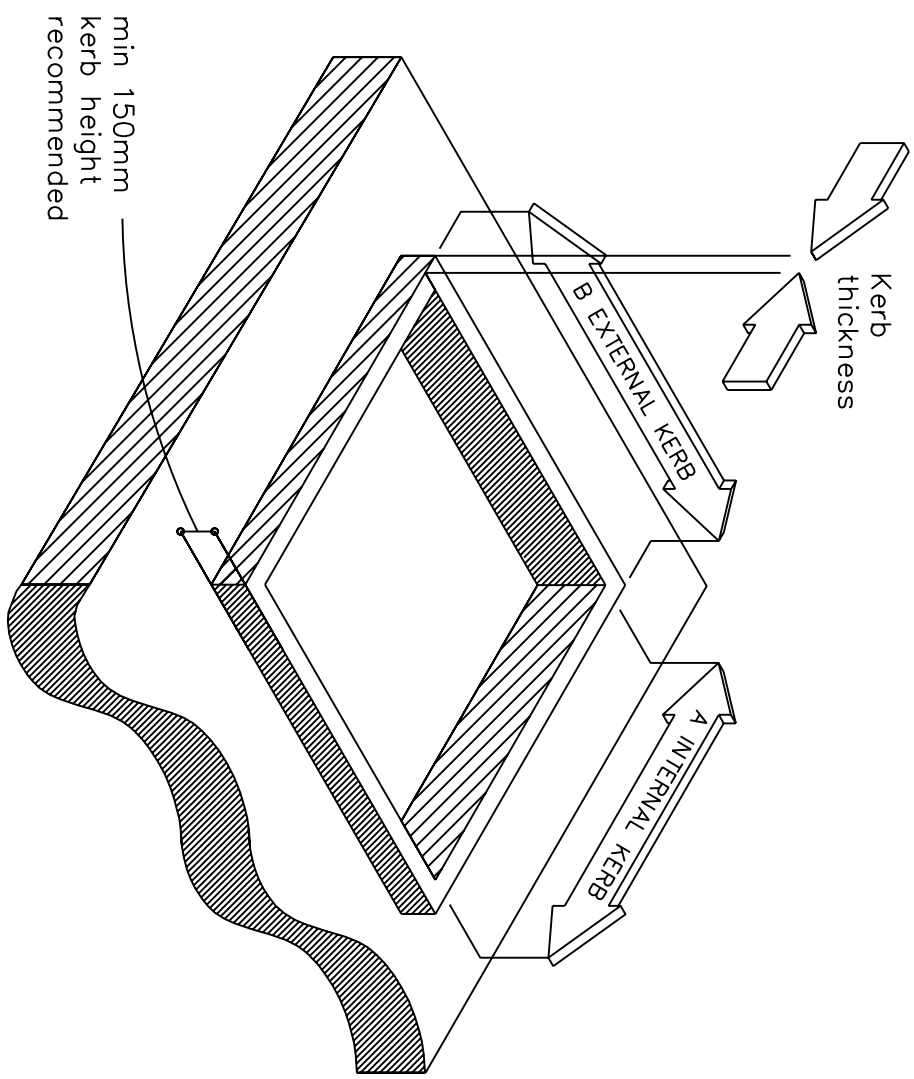
The information contained within this drawing is Copyright & Design right of THE METAL WINDOW COMPANY LIMITED.

DO NOT SCALE. IF IN DOUBT ASK. ALL DIMENSIONS IN MILLIMETERS UNLESS STATED OTHERWISE.



1  
Kerb detail for  
Plateau Rooflight models  
PL600 and PL600A.  
See drawing number  
11063-01 for  
detailed section through  
the Kerb

2  
A Internal kerb = 600  
B External kerb = 900  
Kerb thickness = 150 max



4  
The Metal Window Company Limited Telephone: 01993-830-613  
Unit 8, Wychwood Business Centre Fax: 01993-831-066  
Milton Road Email: info@metalwindow.co.uk  
5 Shipton-Under-Wychwood  
Oxon OX7 6XU

The information contained within this drawing is Copyright  
& Design right of THE METAL WINDOW COMPANY LIMITED.

Note:  
This is not a constructional  
proposal. It is a suggestion of  
one possible roof kerb detail.  
Designers/ contractors should  
devise kerb details appropriate  
to the circumstances.

Drawing Ref/No. 11009-61
Title: KERB DIMENSIONS FOR PL600, PL600A
Scale: N.T.S Date:07/09/01
Drawn By:JM
Checked By:JM
Revision No.