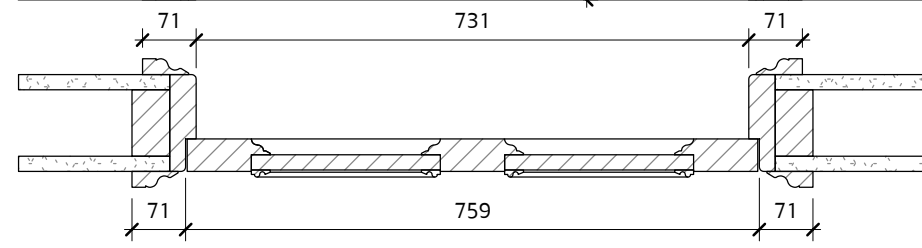
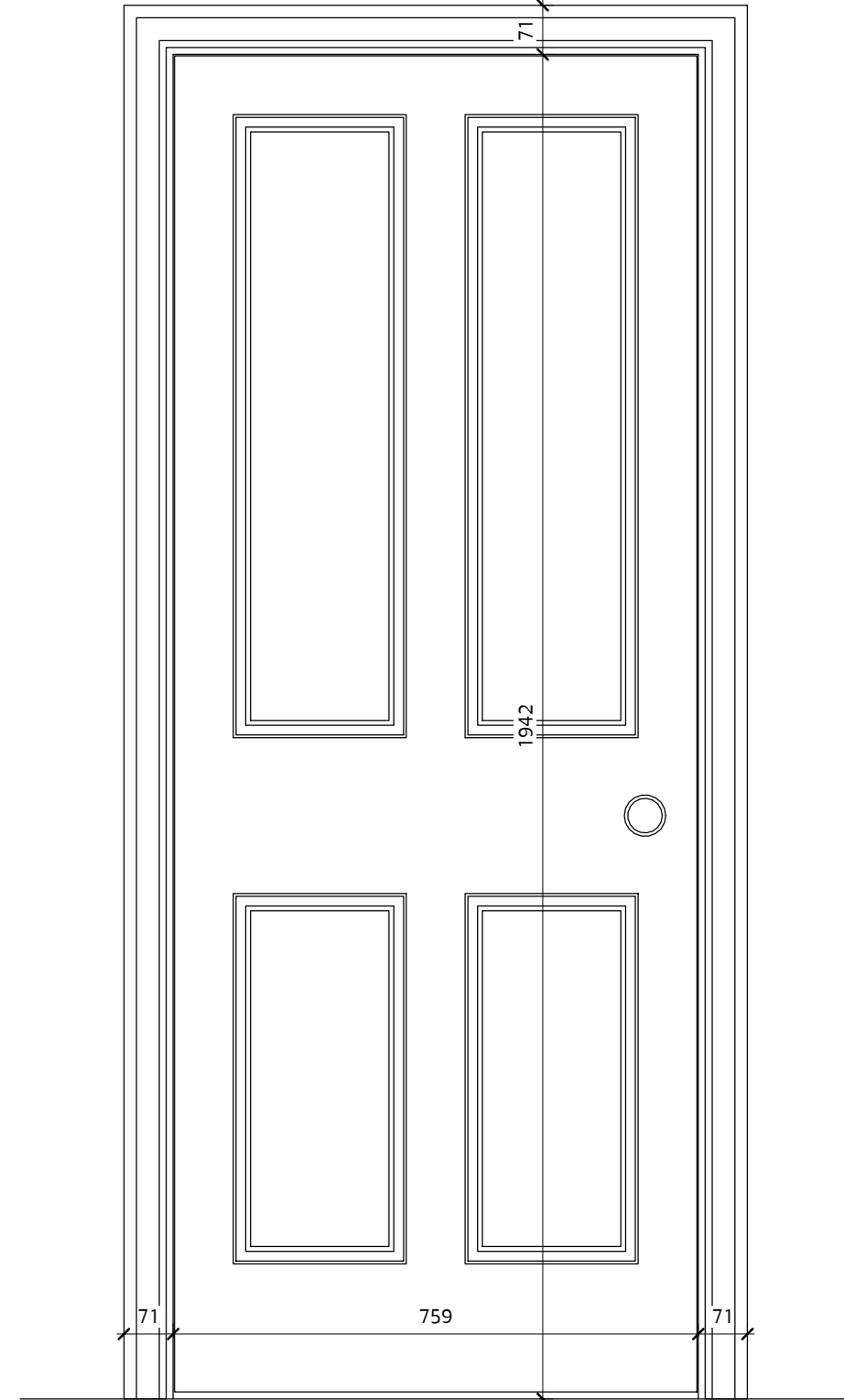
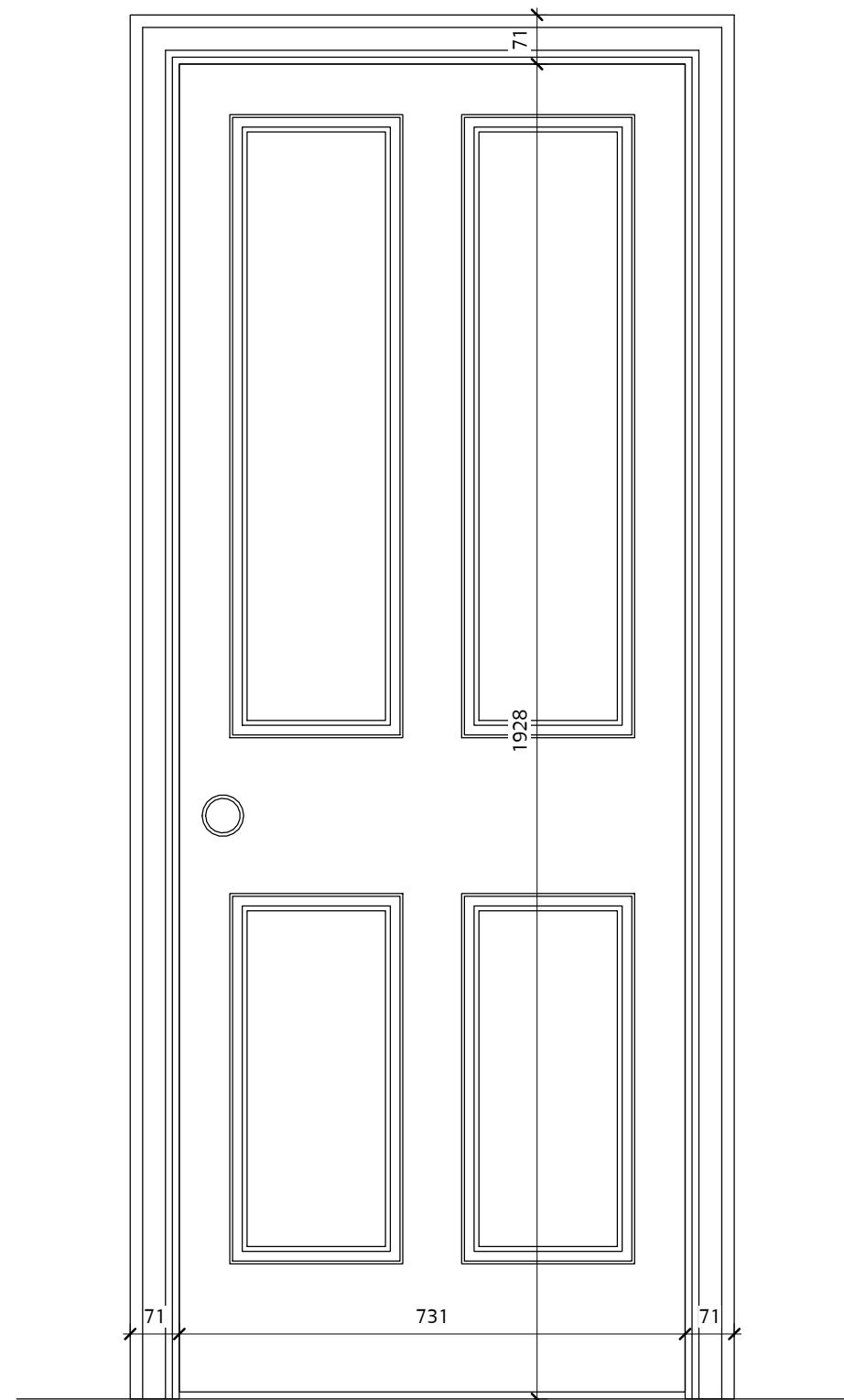
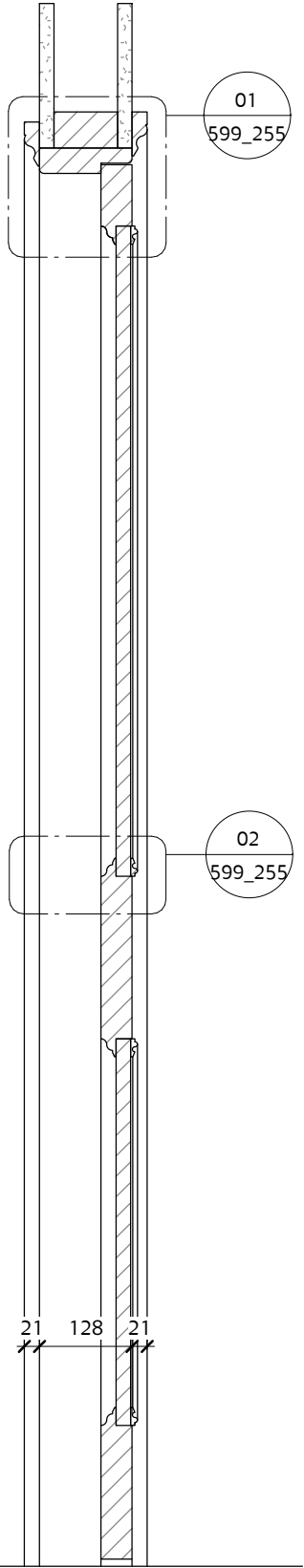


THIS DRAWING IS COPYRIGHT. ALL RIGHTS RESERVED.
DO NOT SCALE FROM THIS DRAWING. WORK FROM FIGURED DIMENSIONS ONLY. ALL DIMENSIONS ARE IN mm, UNLESS OTHERWISE STATED.

03 Elevations
1 : 10



01 Plan Section
1 : 10



02 Section
1 : 10

MOXON
LONDON
Great Western Studios, 65 Alfred Road, London W2 5EU
t 0207 034 0088 | f 0207 034 0099
SCOTLAND
Ardoch, Crathie, Aberdeenshire AB35 5UN
t 01339 742047 | f 0207 034 0099
mail@moxonarchitects.com | www.moxonarchitects.com

REV	DATE	DESCRIPTION	DRW	CHK
		Project	9 St-Martins Almshouses	
		Drawing Title	Internal Door Details	
		Status	Planning	
		Drawn by	AH	Checked by TJM
		Date	01.11.16	
		Project No.	599	Scale 1 : 10
		Size	A3 (420x297mm)	
		Drawing No.	599_254	
		Rev.		