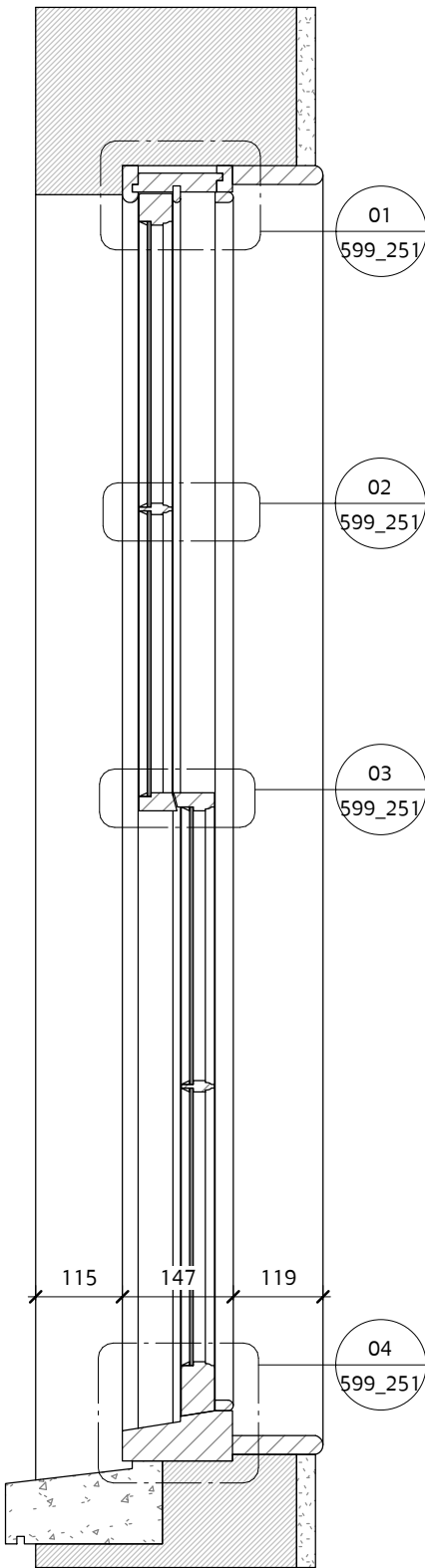
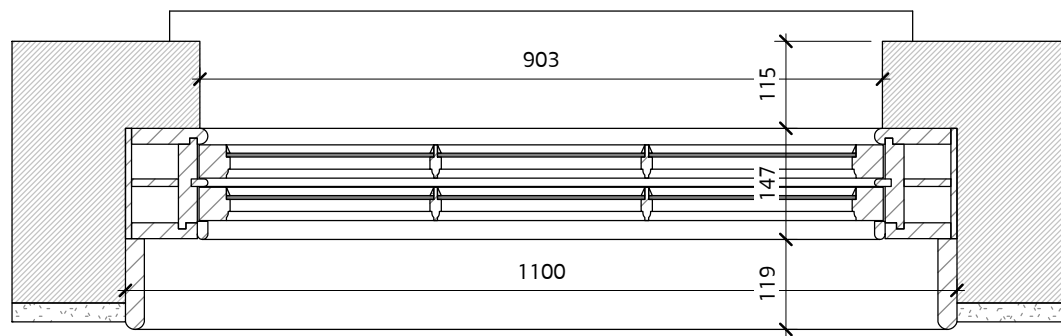
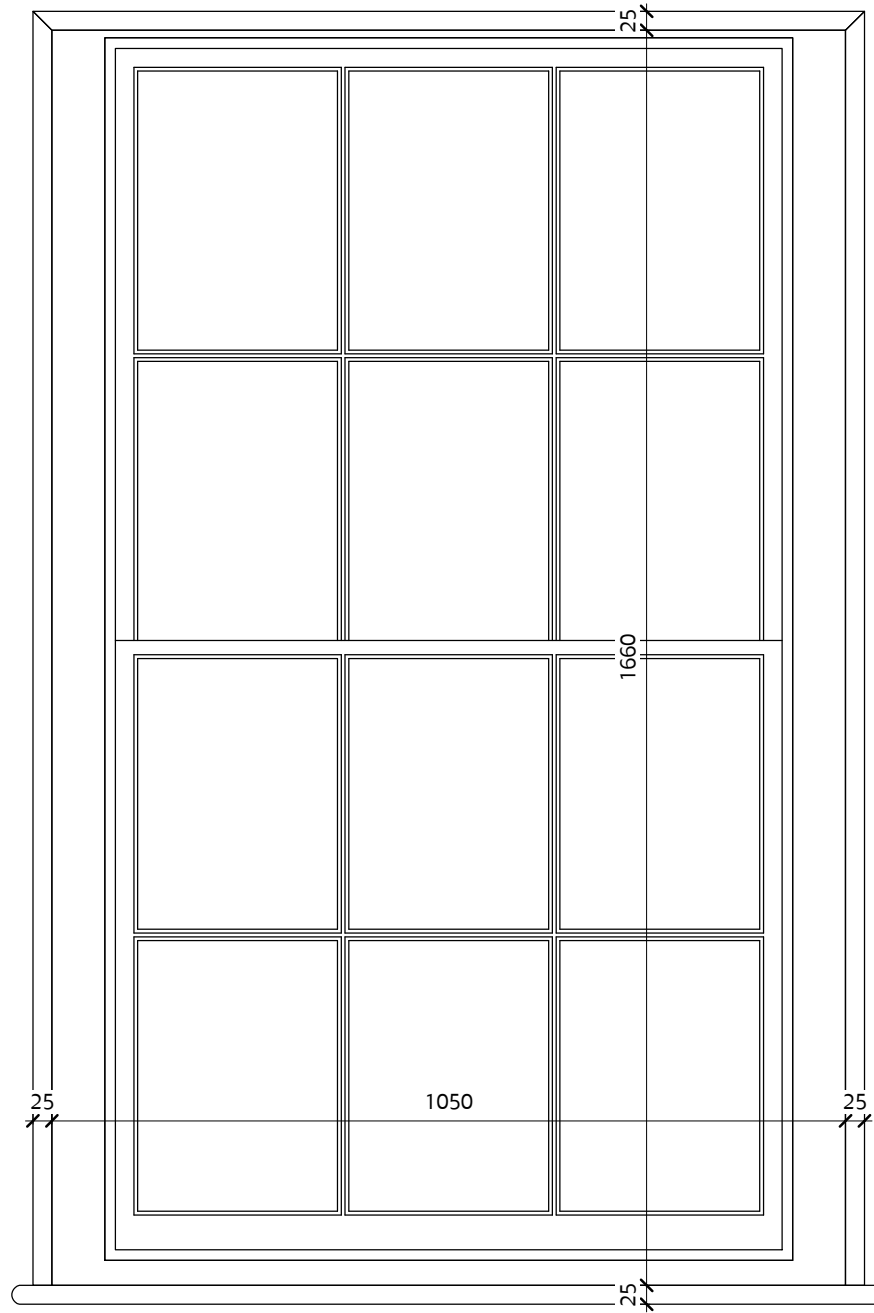


THIS DRAWING IS COPYRIGHT. ALL RIGHTS RESERVED.
DO NOT SCALE FROM THIS DRAWING. WORK FROM FIGURED DIMENSIONS ONLY. ALL DIMENSIONS ARE IN mm, UNLESS OTHERWISE STATED.

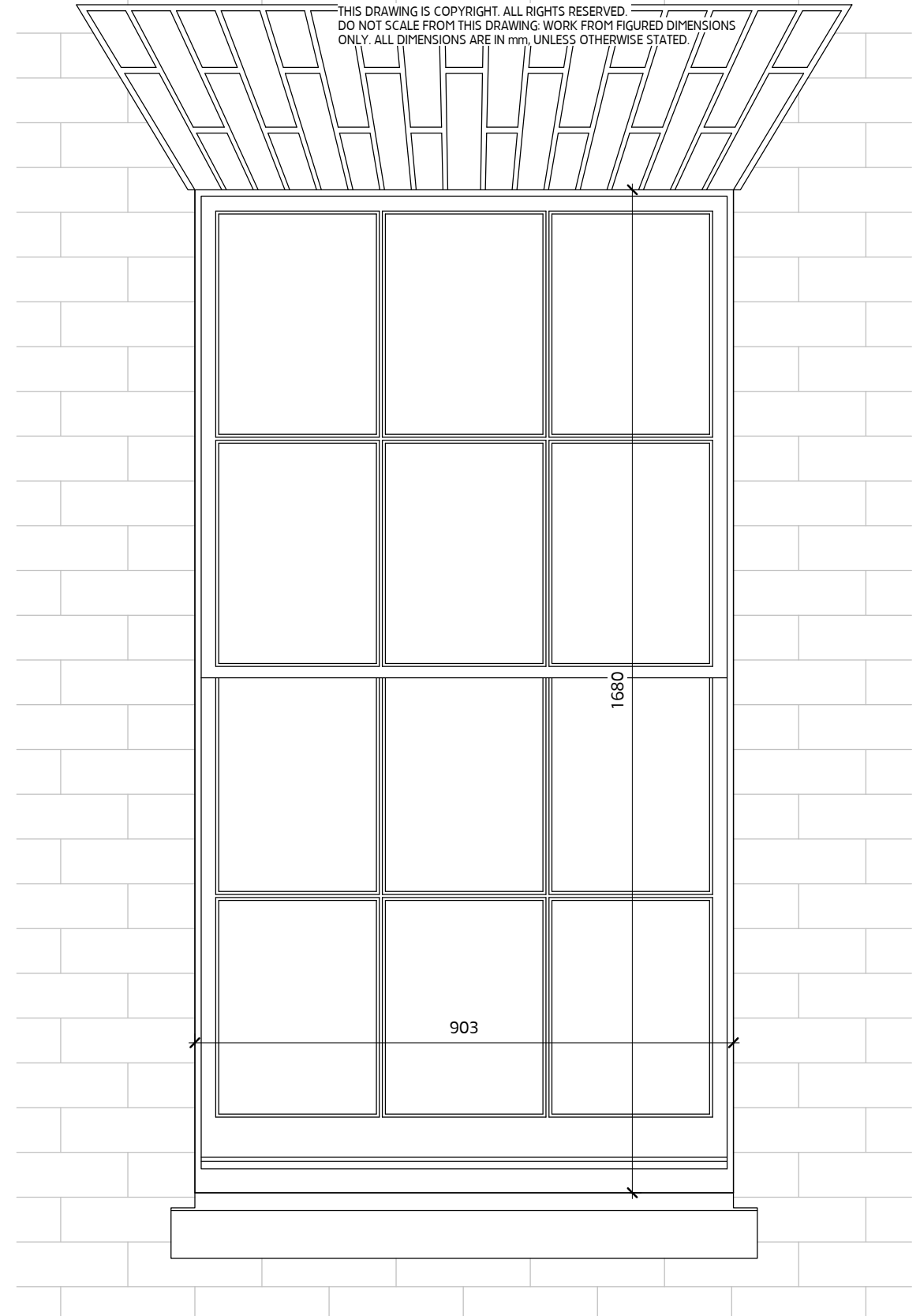


02 Section
1 : 10

03 Elevations
1 : 10



01 Plan Section
1 : 10



MOXON

LONDON
Great Western Studios, 65 Alfred Road, London W2 5EU
t 0207 034 0088 | f 0207 034 0099

SCOTLAND
Ardoch, Crathie, Aberdeenshire AB35 5UN
t 01339 742047 | f 0207 034 0099

mail@moxonarchitects.com | www.moxonarchitects.com

REV	DATE	DESCRIPTION	DRW	CHK
Project	9 St-Martins Almshouses			
Drawing Title	Ground Floor Window Details			
Status	Planning			
Drawn by	AH	Checked by	TJM	Date
Project No.	599	Scale	1 : 10	Size
Drawing No.	599_250			Rev.