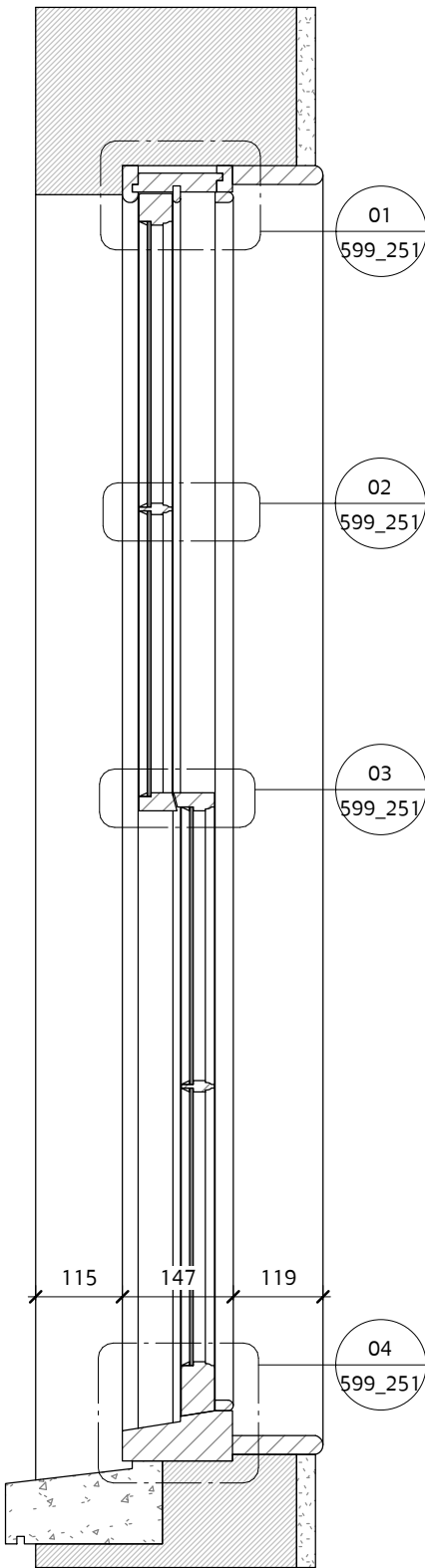
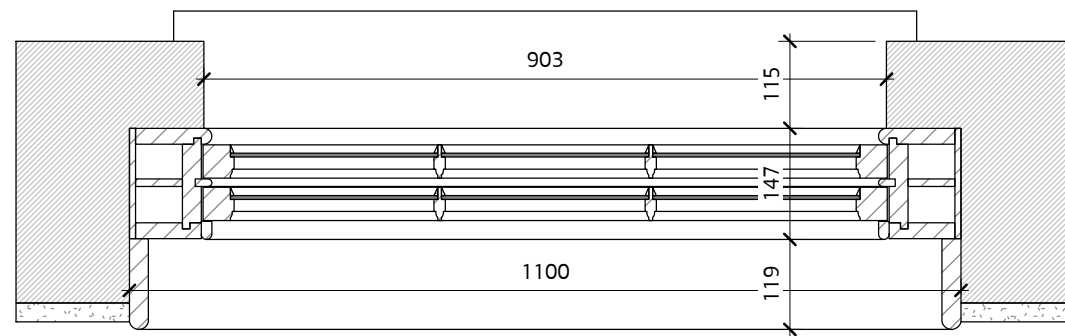
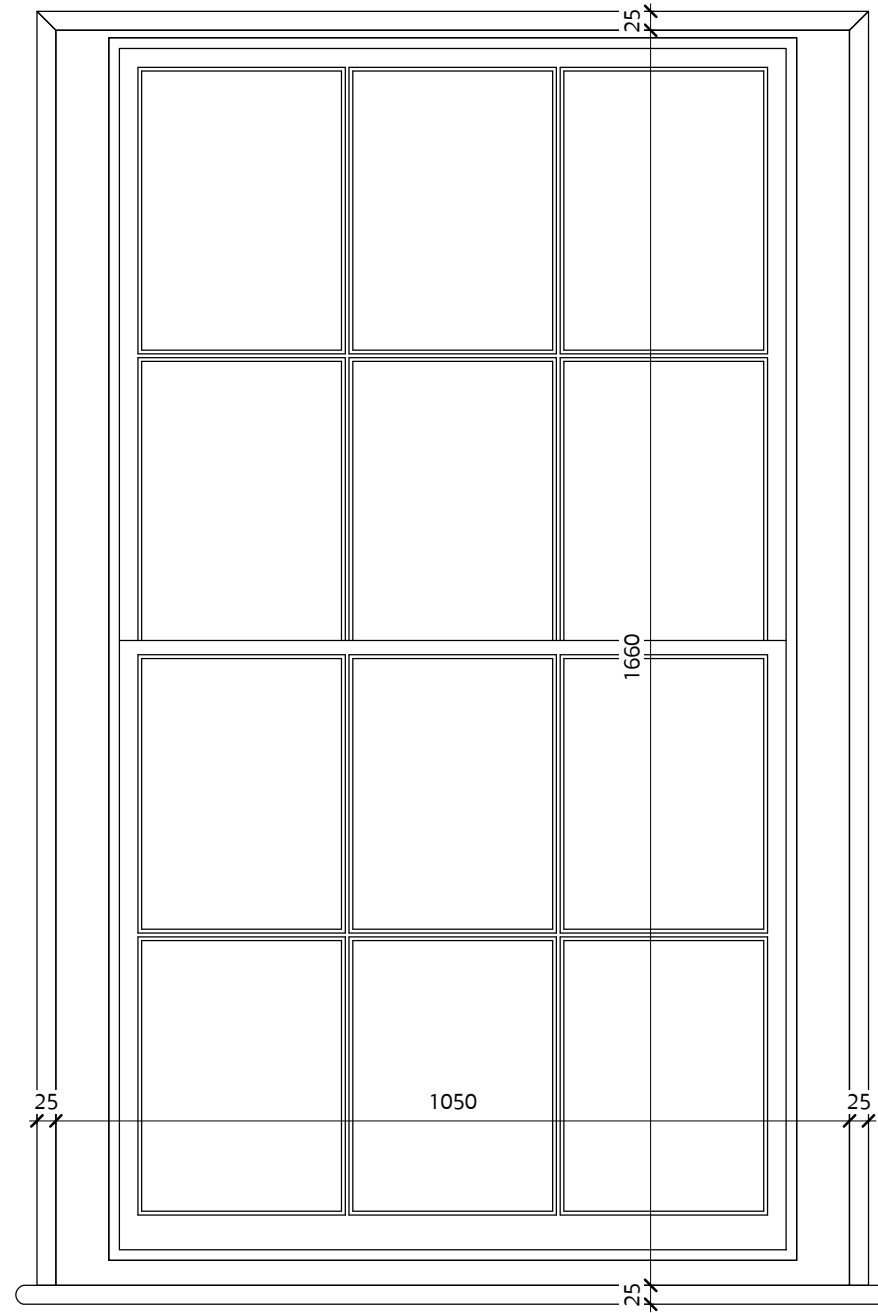


THIS DRAWING IS COPYRIGHT. ALL RIGHTS RESERVED.
DO NOT SCALE FROM THIS DRAWING. WORK FROM FIGURED DIMENSIONS ONLY. ALL DIMENSIONS ARE IN mm, UNLESS OTHERWISE STATED.

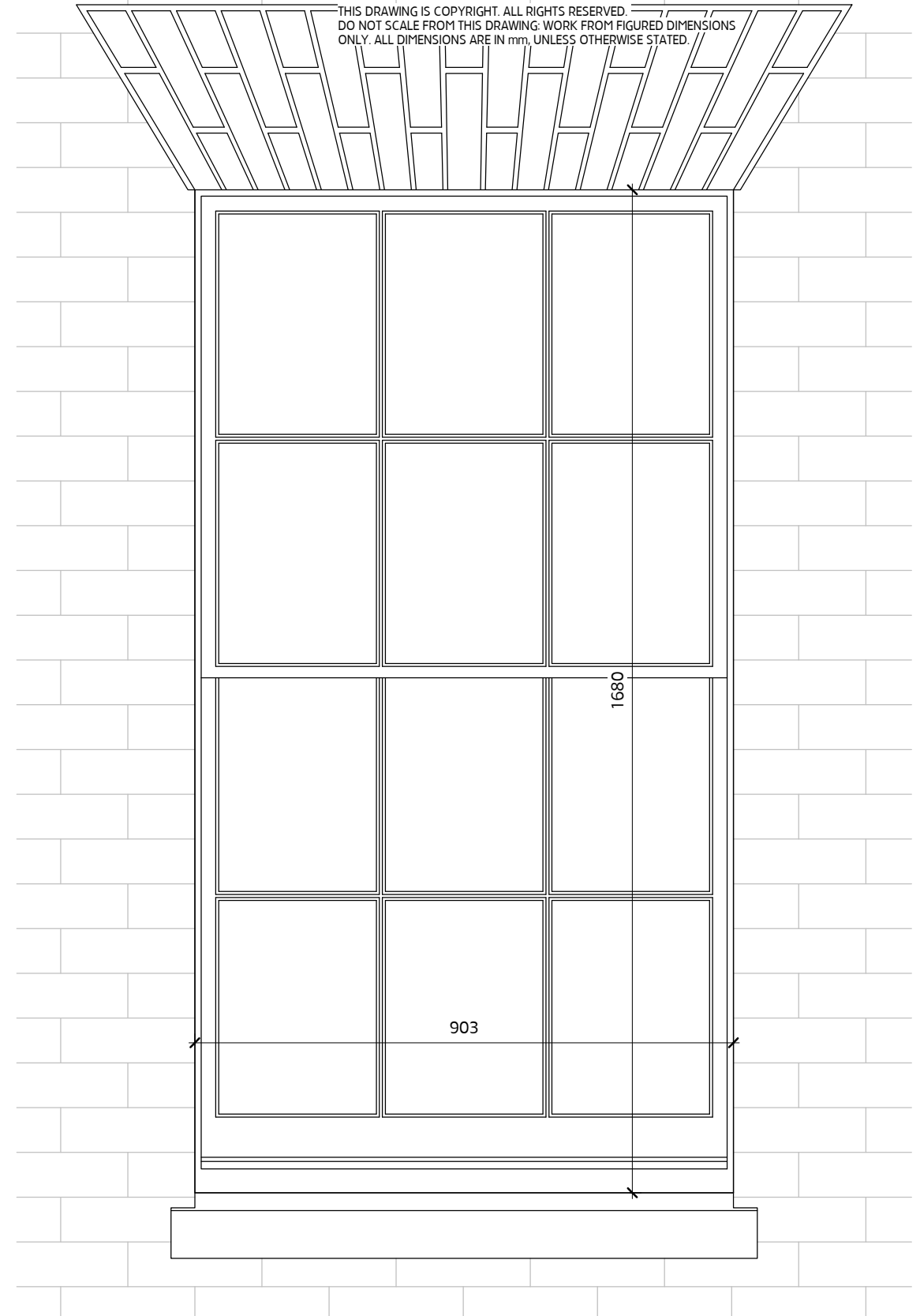


02 Section
1 : 10

03 Elevations
1 : 10



01 Plan Section
1 : 10



MOXON

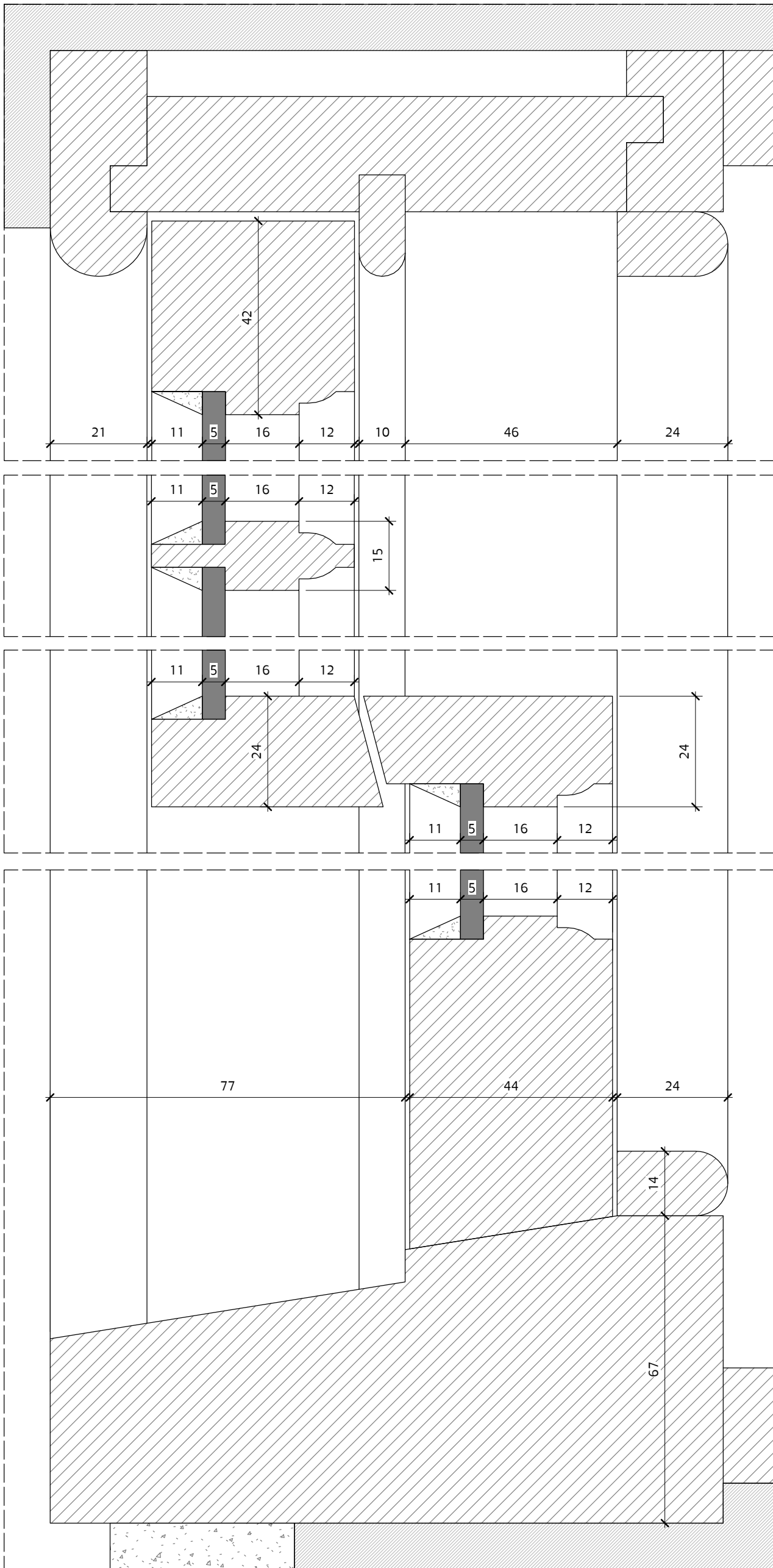
LONDON
Great Western Studios, 65 Alfred Road, London W2 5EU
t 0207 034 0088 | f 0207 034 0099

SCOTLAND
Ardoch, Crathie, Aberdeenshire AB35 5UN
t 01339 742047 | f 0207 034 0099

mail@moxonarchitects.com | www.moxonarchitects.com

REV	DATE	DESCRIPTION	DRW	CHK	
Project	9 St-Martins Almshouses				
Drawing Title	Ground Floor Window Details				
Status	Planning				
Drawn by	AH	Checked by	TJM	Date	01.11.16
Project No.	599	Scale	1 : 10	Size	A3 (420x297mm)
Drawing No.	599_250			Rev.	

THIS DRAWING IS COPYRIGHT. ALL RIGHTS RESERVED.
DO NOT SCALE FROM THIS DRAWING. WORK FROM FIGURED DIMENSIONS
ONLY. ALL DIMENSIONS ARE IN mm, UNLESS OTHERWISE STATED.



- 01** Detail 01
1 : 1
- 02** Detail 02
1 : 1
- 03** Detail 03
1 : 1
- 04** Detail 04
1 : 1

MOXON

LONDON
Great Western Studios, 65 Alfred Road, London W2 5EU
t 0207 034 0088 | f 0207 034 0099

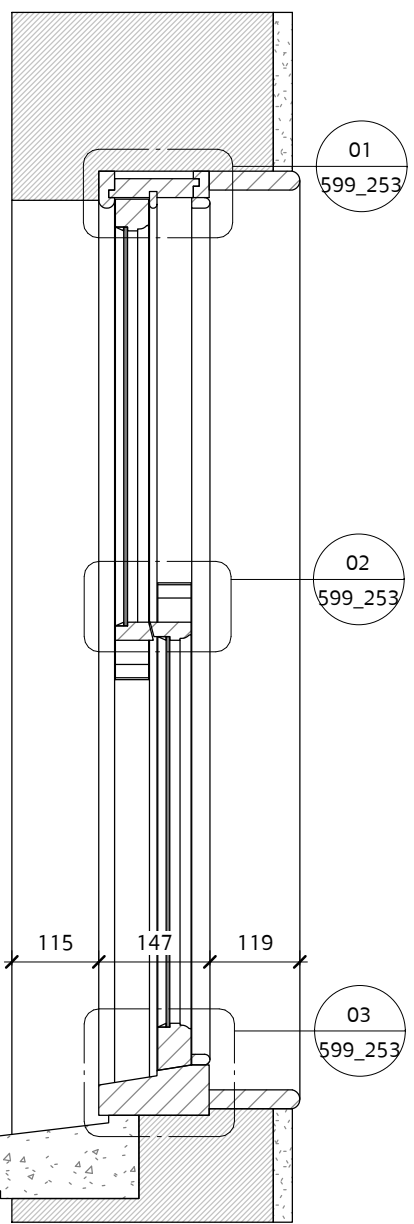
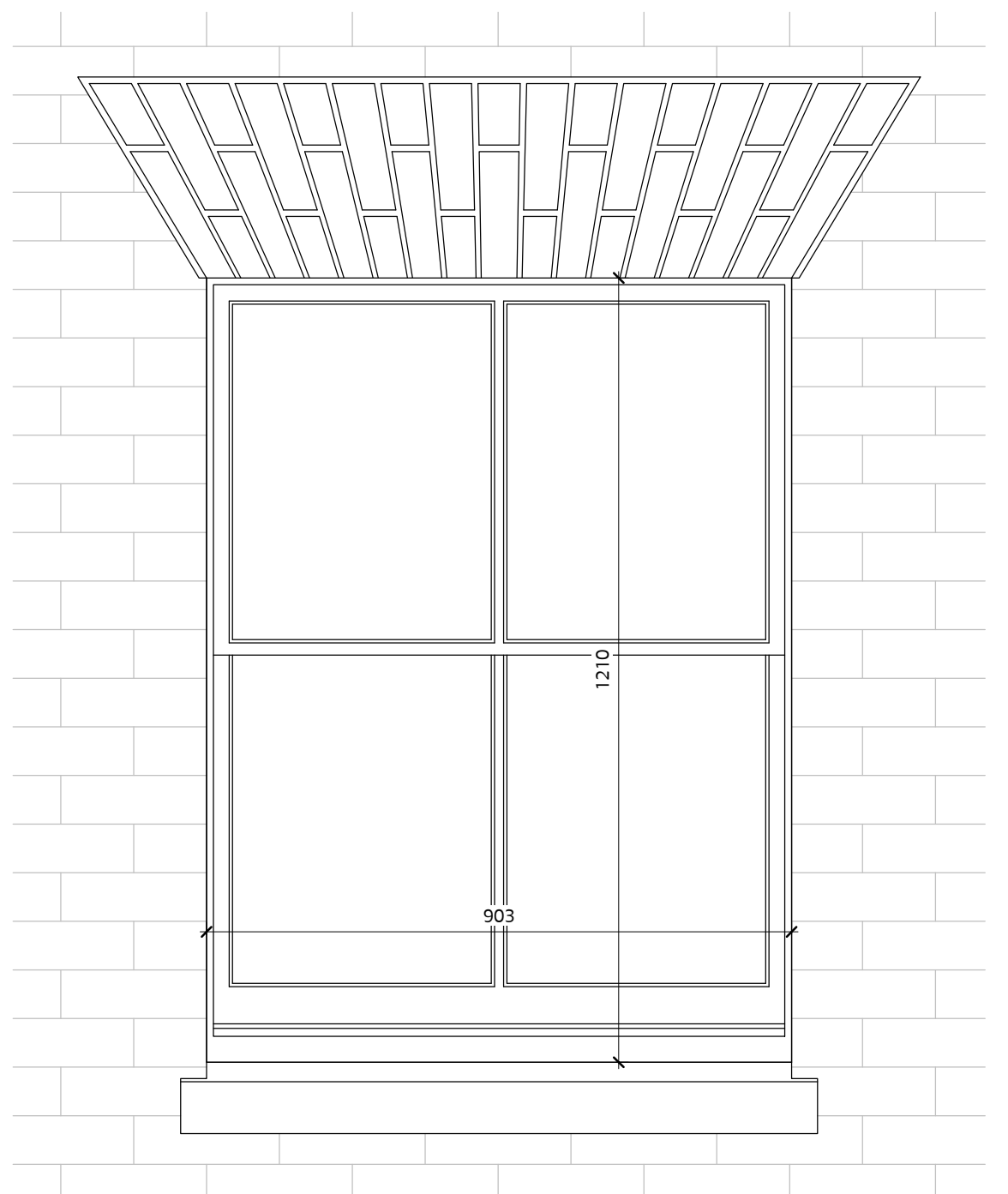
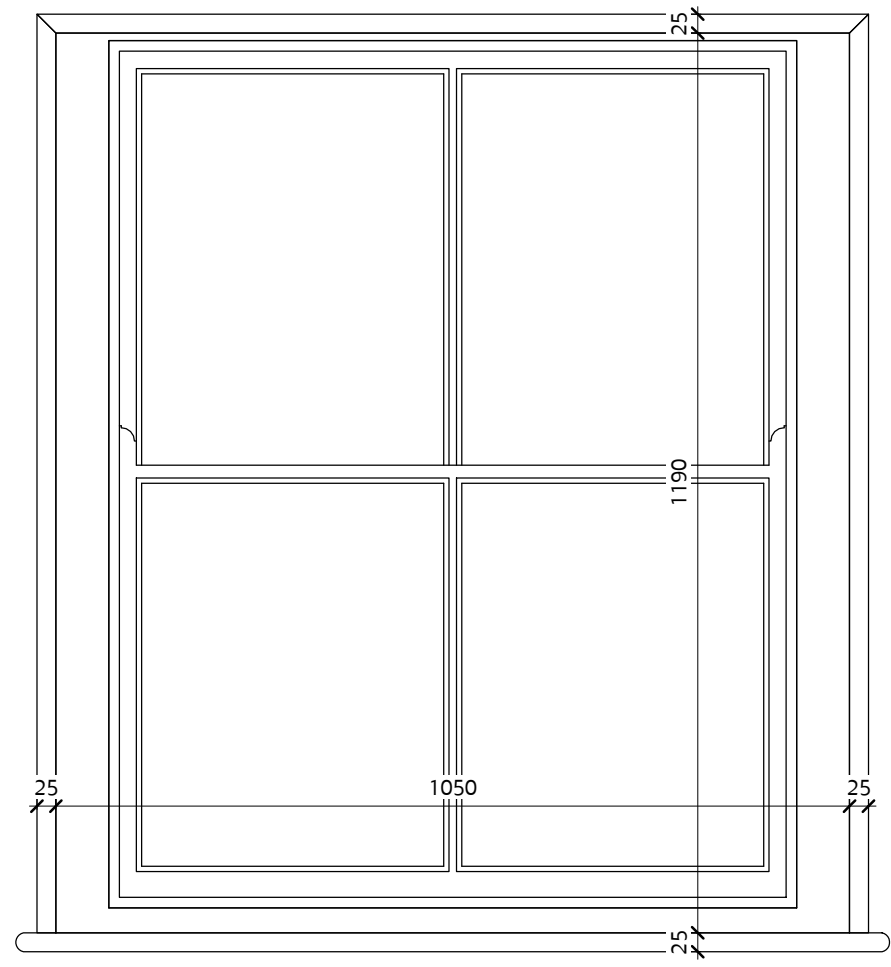
SCOTLAND
Ardoch, Crathie, Aberdeenshire AB35 5UN
t 01339 742047 | f 0207 034 0099

mail@moxonarchitects.com | www.moxonarchitects.com

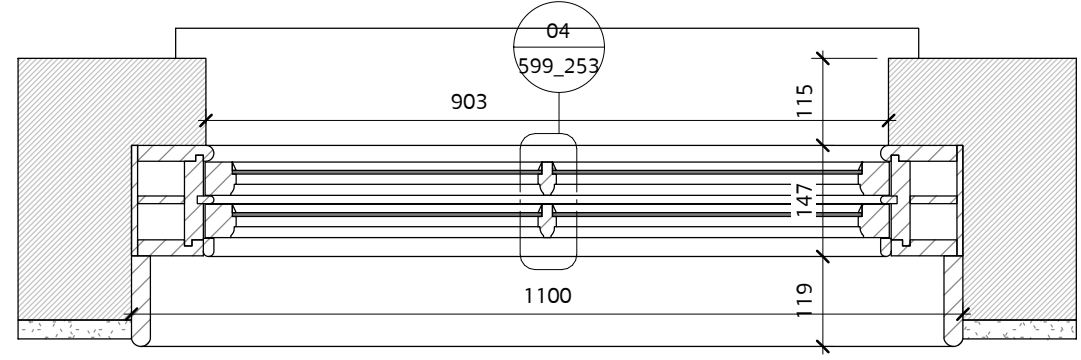
REV	DATE	DESCRIPTION	DRW	CHK
Project 9 St-Martins Almshouses				
Drawing Title Ground Floor Window Details				
Status Planning				
Drawn by	AH	Checked by	TJM	Date 01.11.16
Project No.	599	Scale	1 : 1	Size A1 (841x594mm)
Drawing No.	599_251			Rev.

THIS DRAWING IS COPYRIGHT. ALL RIGHTS RESERVED.
DO NOT SCALE FROM THIS DRAWING. WORK FROM FIGURED DIMENSIONS
ONLY. ALL DIMENSIONS ARE IN mm, UNLESS OTHERWISE STATED.

03 Elevations
1 : 10



02 Section
1 : 10

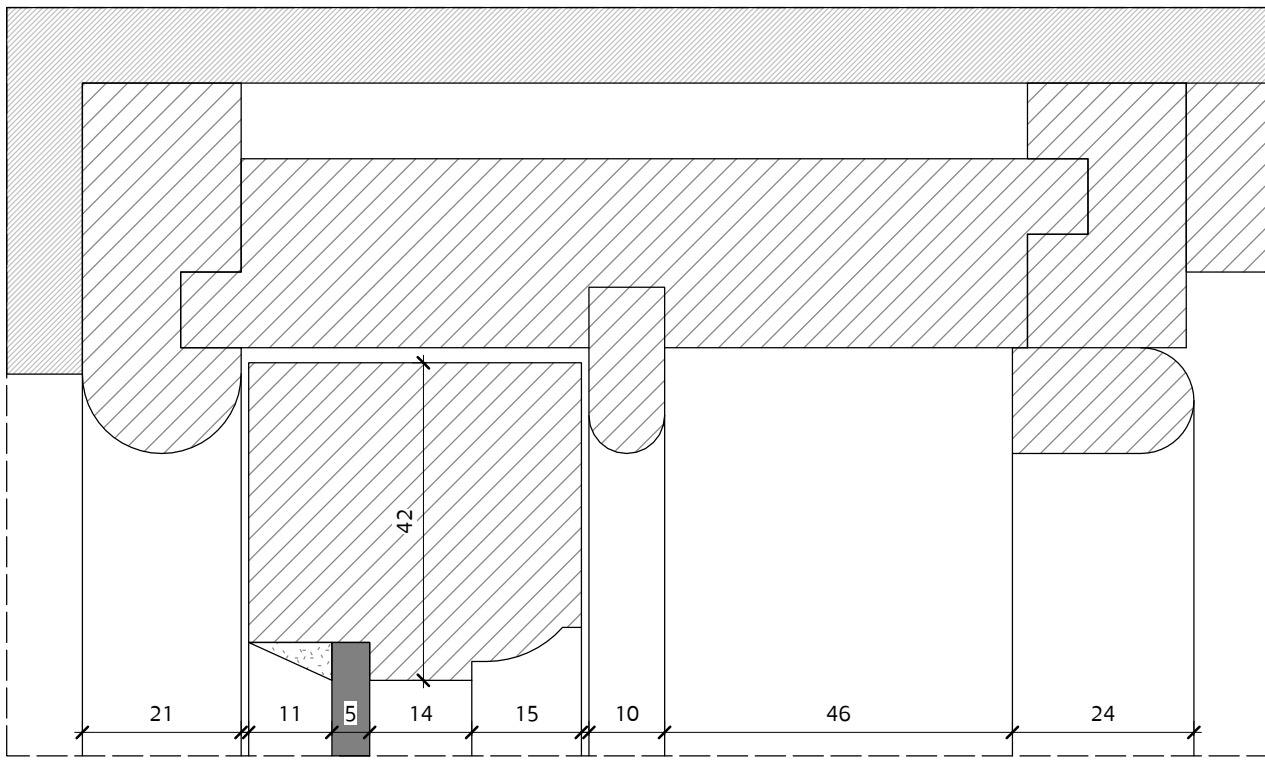


01 Plan Section
1 : 10

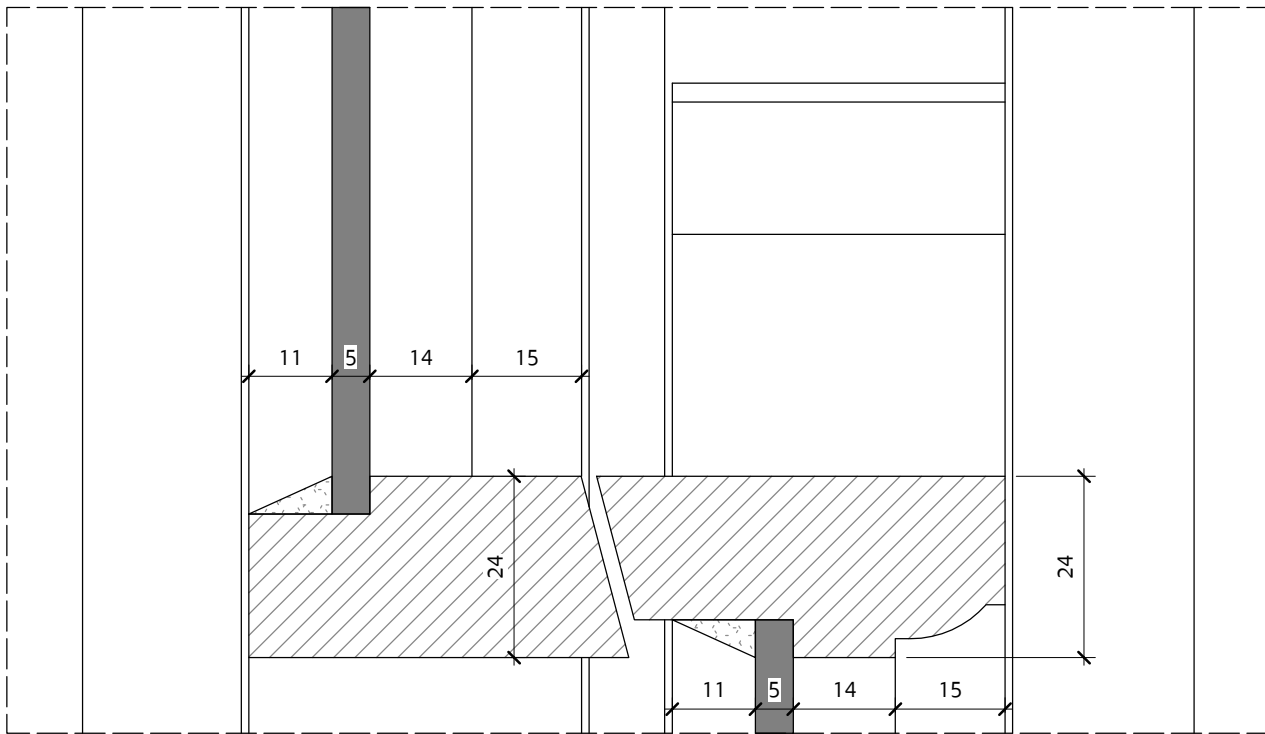
MOXON
LONDON
Great Western Studios, 65 Alfred Road, London W2 5EU
t 0207 034 0088 | f 0207 034 0099
SCOTLAND
Ardoch, Crathie, Aberdeenshire AB35 5UN
t 01339 742047 | f 0207 034 0099
mail@moxonarchitects.com | www.moxonarchitects.com

REV	DATE	DESCRIPTION	DRW	CHK
Project	9 St-Martins Almshouses			
Drawing Title	First Floor Window Details			
Status	Planning			
Drawn by	AH	Checked by	TJM	Date
Project No.	599	Scale	1 : 10	Size
Drawing No.	599_252			Rev.

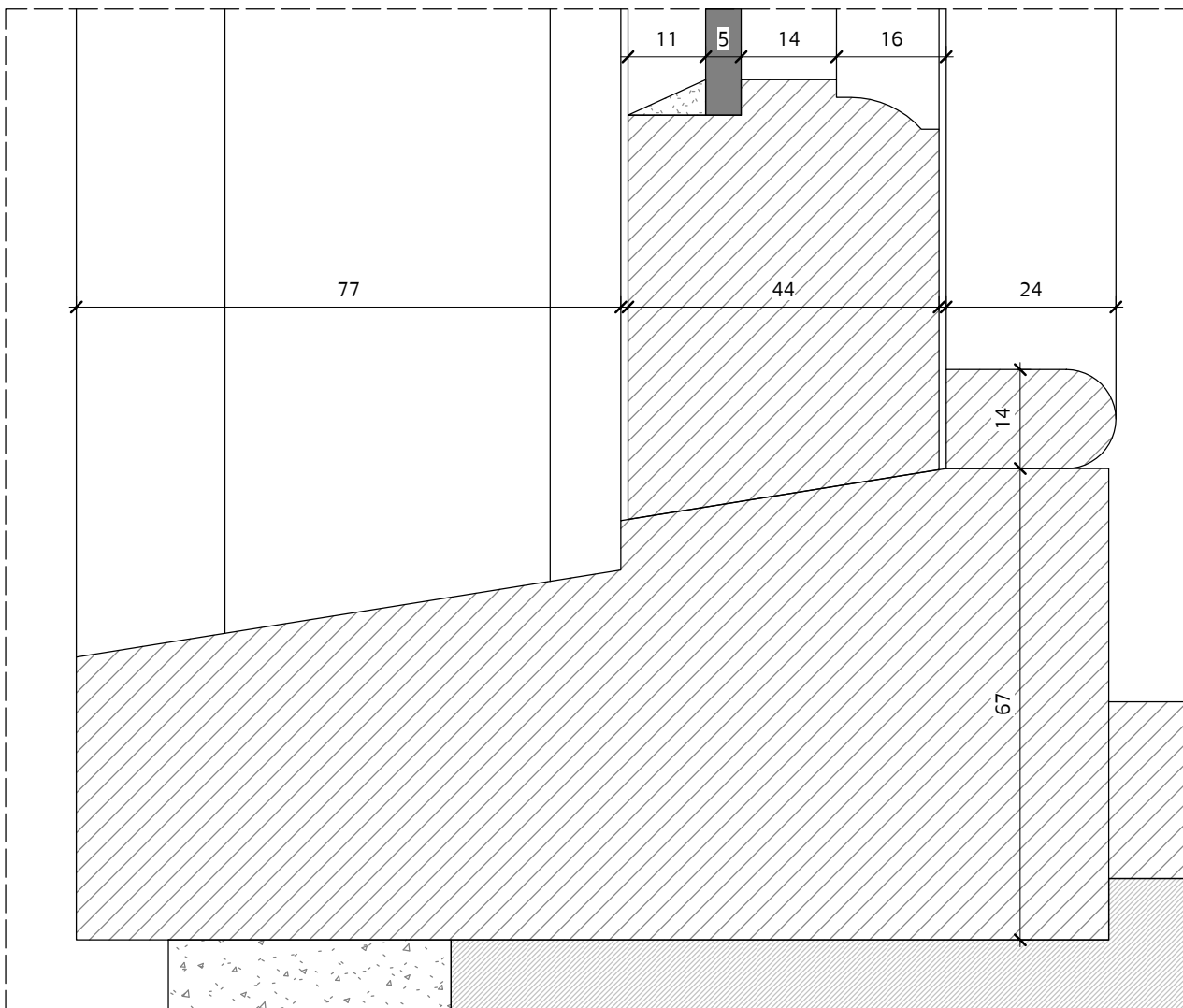
THIS DRAWING IS COPYRIGHT. ALL RIGHTS RESERVED.
DO NOT SCALE FROM THIS DRAWING. WORK FROM FIGURED DIMENSIONS ONLY. ALL DIMENSIONS ARE IN mm, UNLESS OTHERWISE STATED.



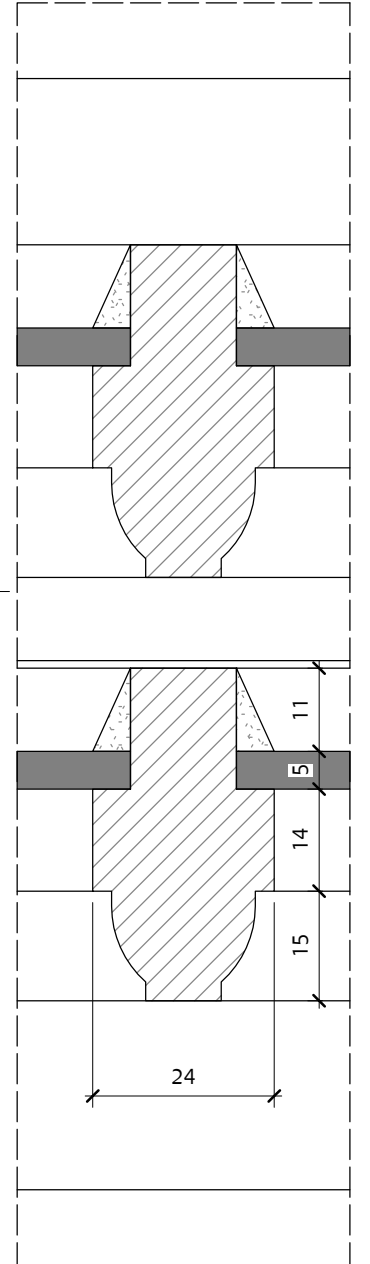
01 Detail 01
1 : 1



02 Detail 02
1 : 1



03 Detail 03
1 : 1



04 Detail 04
1 : 1

REV	DATE	DESCRIPTION	DRW	CHK
-----	------	-------------	-----	-----

MOXON

LONDON
Great Western Studios, 65 Alfred Road, London W2 5EU
t 0207 034 0088 | f 0207 034 0099

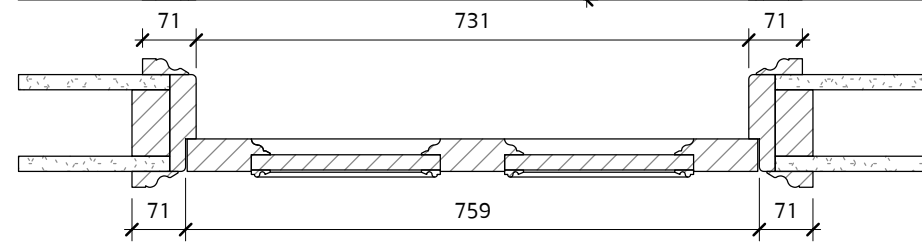
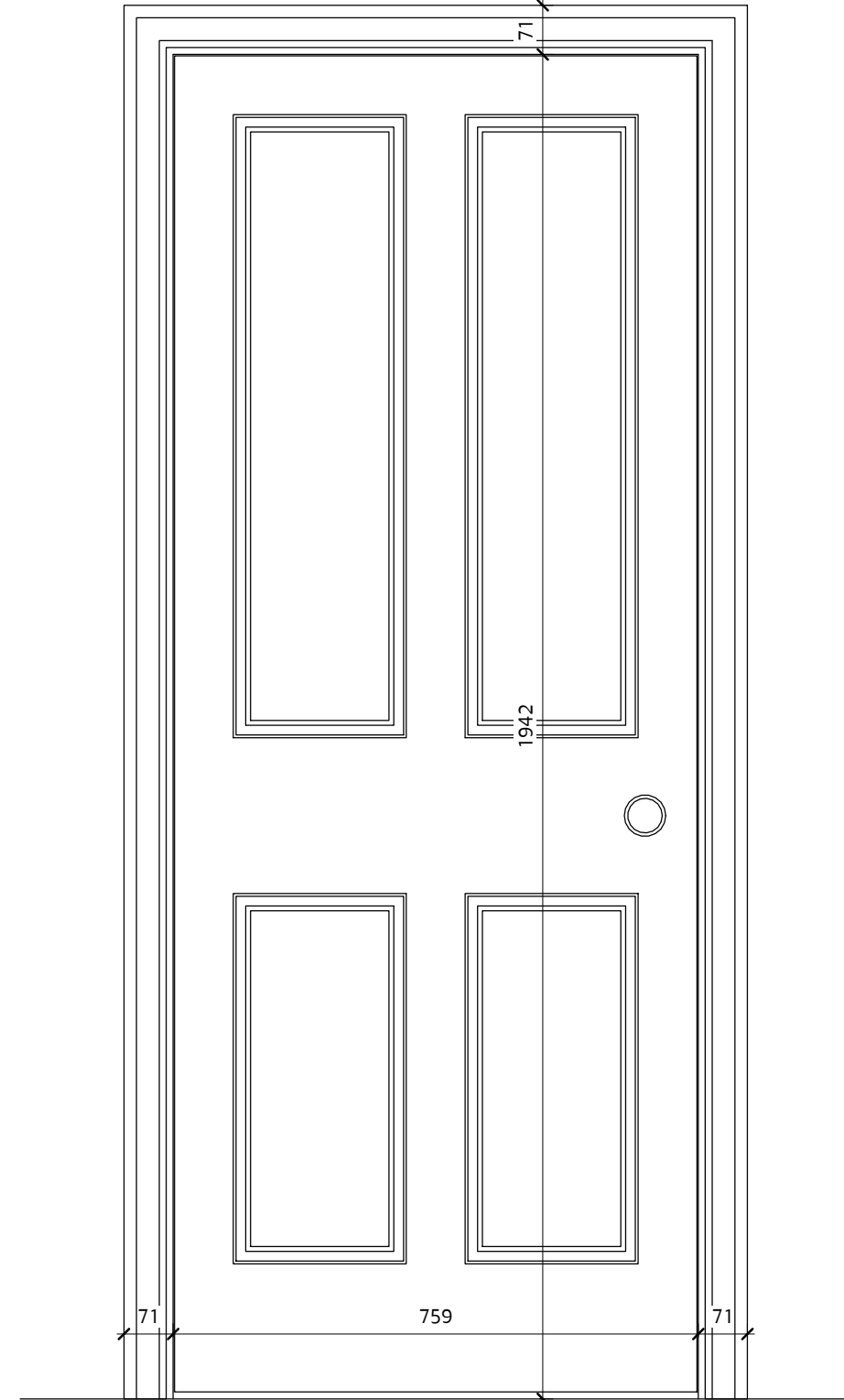
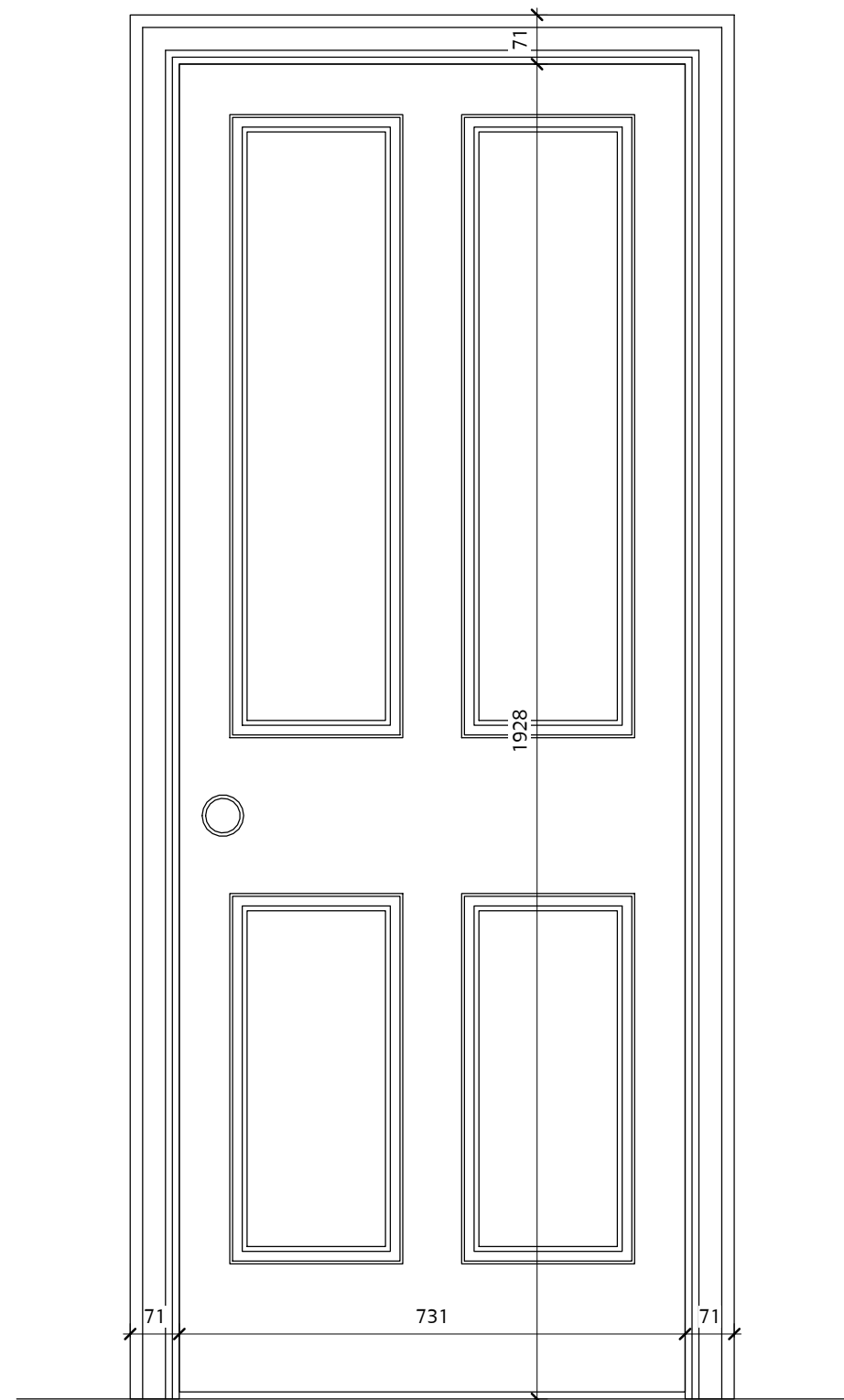
SCOTLAND
Ardoch, Crathie, Aberdeenshire AB35 5UN
t 01339 742047 | f 0207 034 0099

mail@moxonarchitects.com | www.moxonarchitects.com

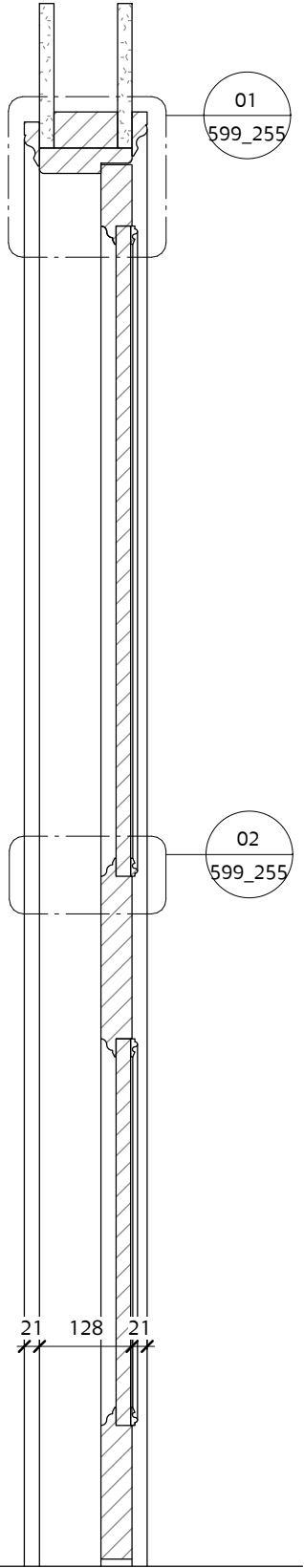
Project		9 St-Martins Almshouses			
Drawing Title		First Floor Window Details			
Status		Planning			
Drawn by	AH	Checked by	TJM	Date	01.11.16
Project No.	599	Scale	1 : 1	Size	A1 (841x594mm)
Drawing No.	599_253			Rev.	

THIS DRAWING IS COPYRIGHT. ALL RIGHTS RESERVED.
DO NOT SCALE FROM THIS DRAWING. WORK FROM FIGURED DIMENSIONS ONLY. ALL DIMENSIONS ARE IN mm, UNLESS OTHERWISE STATED.

03 Elevations
1 : 10



01 Plan Section
1 : 10

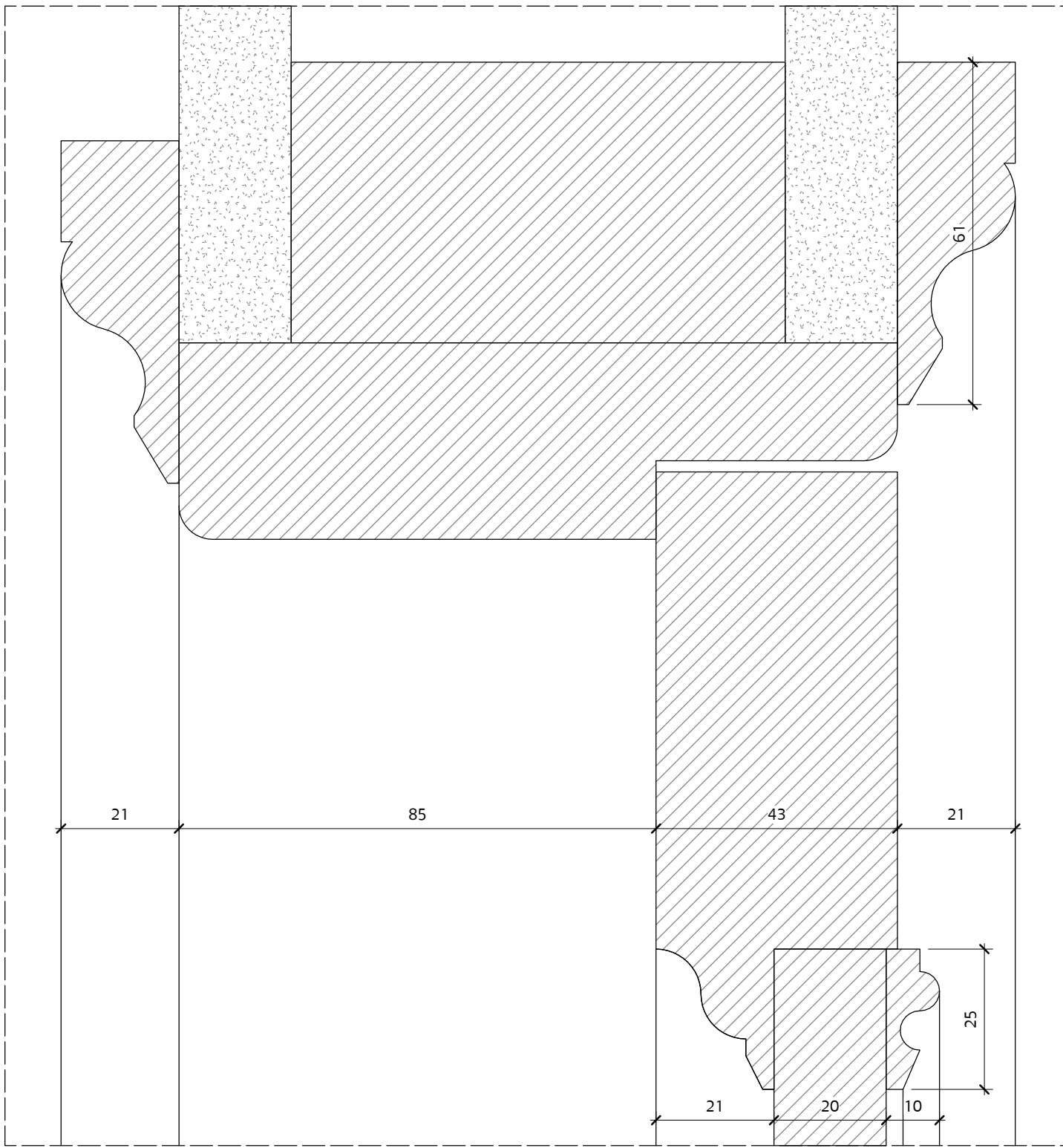


02 Section
1 : 10

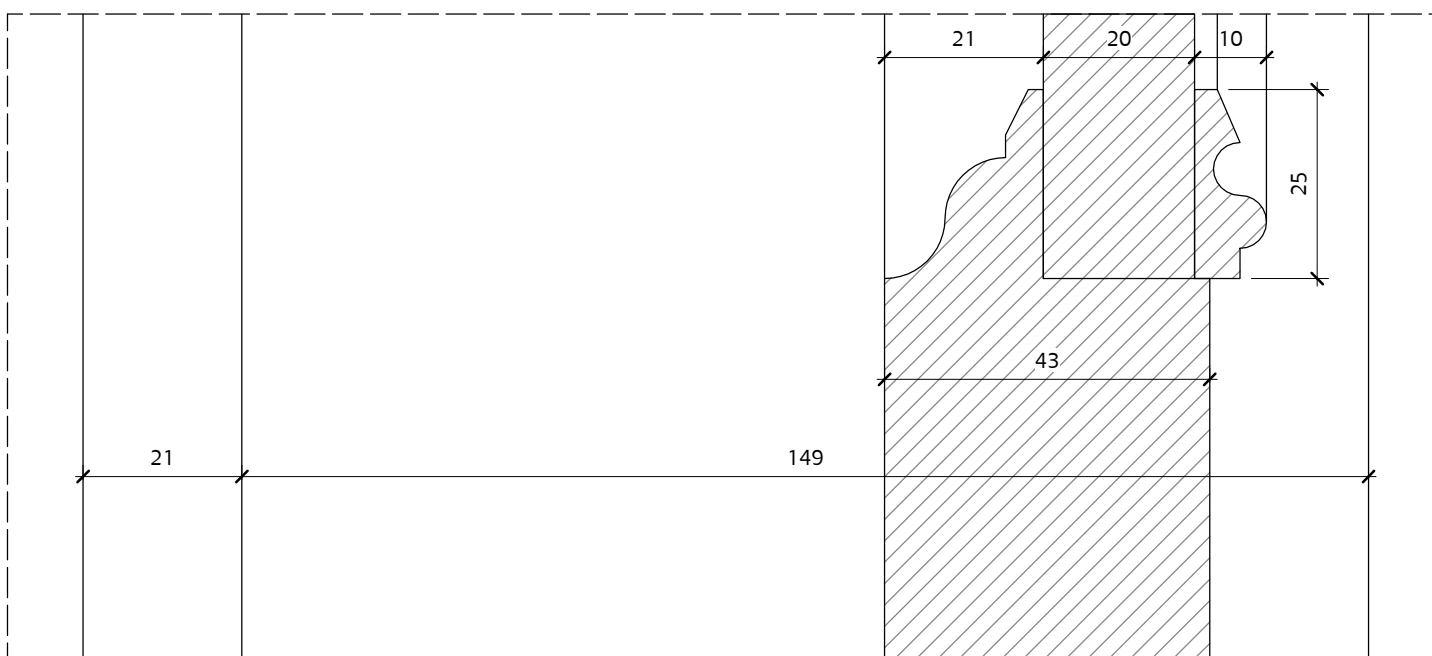
MOXON
LONDON
Great Western Studios, 65 Alfred Road, London W2 5EU
t 0207 034 0088 | f 0207 034 0099
SCOTLAND
Ardoch, Crathie, Aberdeenshire AB35 5UN
t 01339 742047 | f 0207 034 0099
mail@moxonarchitects.com | www.moxonarchitects.com

REV	DATE	DESCRIPTION	DRW	CHK
Project 9 St-Martins Almshouses				
Drawing Title Internal Door Details				
Status Planning				
Drawn by	AH	Checked by	TJM	Date 01.11.16
Project No.	599	Scale	1 : 10	Size A3 (420x297mm)
Drawing No.	599_254			Rev.

THIS DRAWING IS COPYRIGHT. ALL RIGHTS RESERVED.
DO NOT SCALE FROM THIS DRAWING. WORK FROM FIGURED DIMENSIONS
ONLY. ALL DIMENSIONS ARE IN mm, UNLESS OTHERWISE STATED.



01 Detail 01
1:1



02 Detail 02
1:1

MOXON

LONDON
Great Western Studios, 65 Alfred Road, London W2 5EU
t 0207 034 0088 | f 0207 034 0099

SCOTLAND
Ardoch, Crathie, Aberdeenshire AB35 5UN
t 01339 742047 | f 0207 034 0099

mail@moxonarchitects.com | www.moxonarchitects.com

REV	DATE	DESCRIPTION	DRW	CHK
Project 9 St-Martins Almshouses				
Drawing Title Internal Door Details				
Status Planning				
Drawn by	AH	Checked by	TJM	Date 01.11.16
Project No.	599	Scale	1:1	Size A1 (841x594mm)
Drawing No.	599_255			Rev.