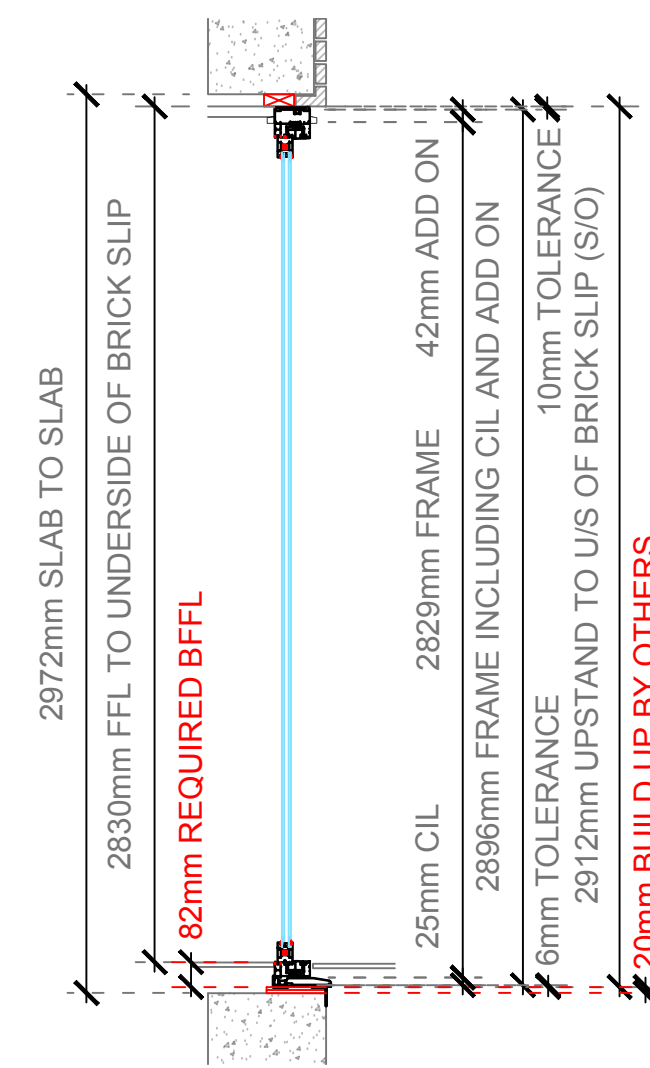
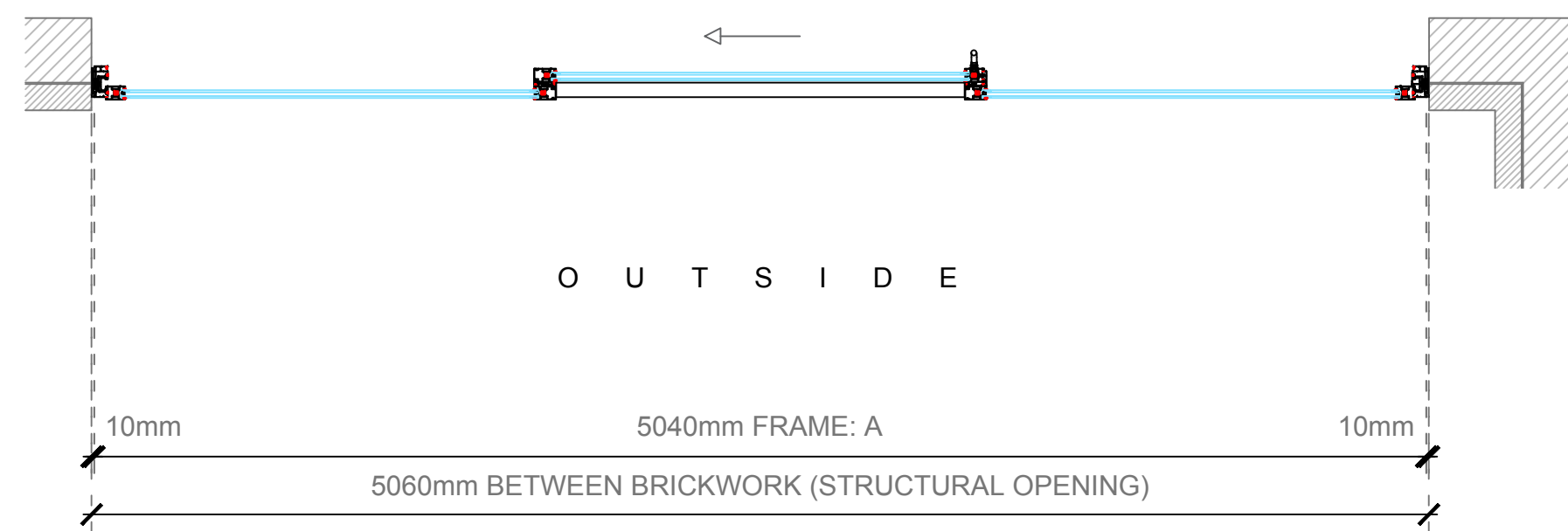


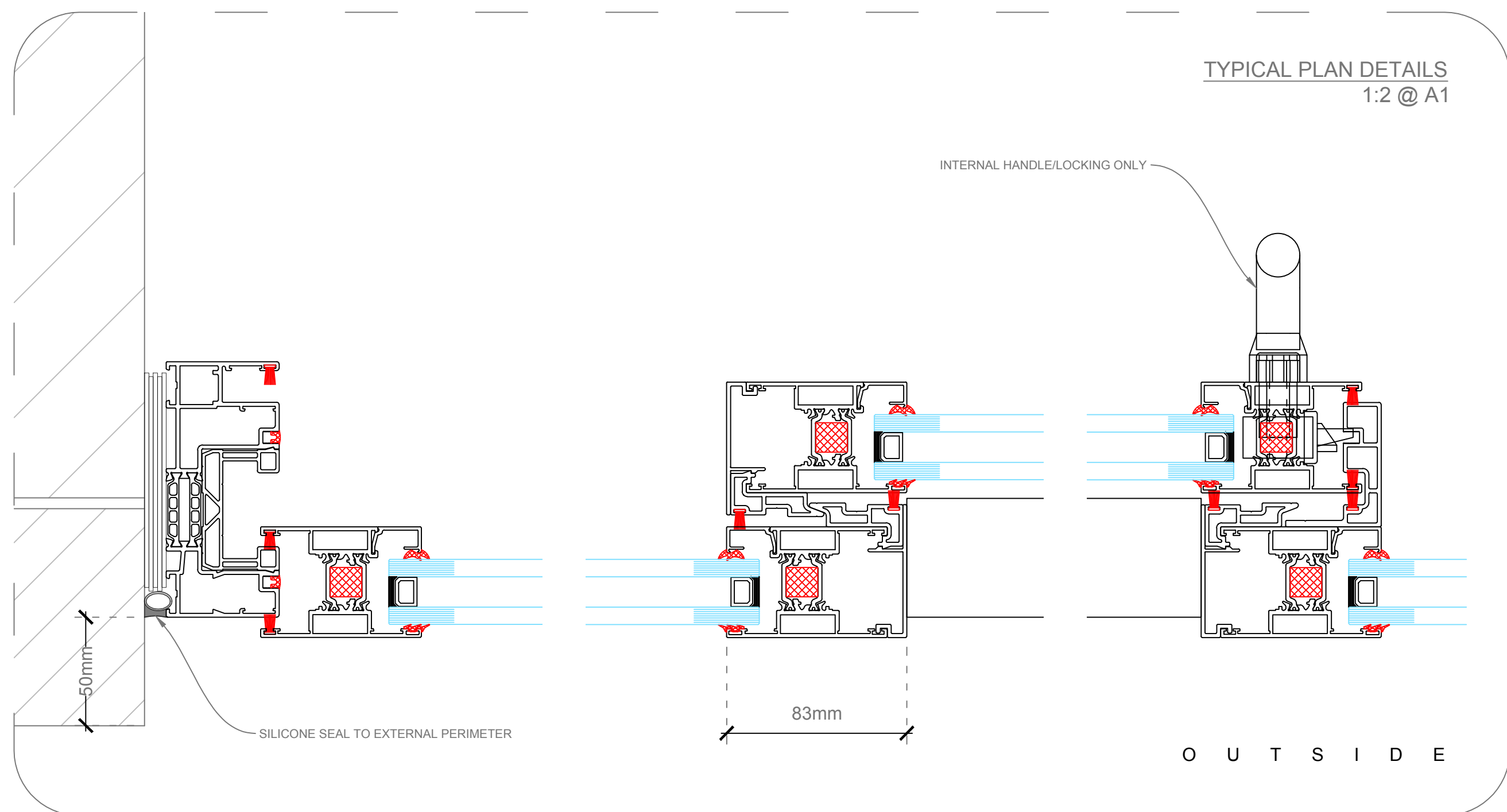
EXTERNAL ELEVATION OF SLIDING DOORSET: A  
1:25 @ A1



SECTION THROUGH DOORSET: A  
1:25 @ A1



PLAN VIEW/LOCATION PLAN  
1:25 @ A1



TYPICAL PLAN DETAILS  
1:2 @ A1

MATERIAL	VISOGLIDE PLUS
FINISH	POLYESTER POWDER COATED RAL 7011 SATIN
GLASS	8mm CLEAR TOUGHENED EXT 14mm WARM EDGE SPACER 8mm LOW-E TOUGHENED INT  (LOW-E TO FACE 3)
GLAZING	BLACK GASKET
FIXING	BY NORTHOLT GLASS
POINTING	SILICONE
GEARING	

FITTINGS	FACE DRAIN AS PER SYSTEM ALL HARDWARE BLACK WITH INTERNAL HANDLES MULTIPOINT LOCKING DOOR SETS ONLY AS DRAWN - 4000S TRICKLE VENT ALLOWING 5400mm <sup>2</sup> FREE AREA.
----------	---

**ISSUE FOR CONSTRUCTION**  
05.11.2018

C	
B	
A	

AMENDMENTS	
SITE	6 ROSECROFT AVENUE HAMPSTEAD LONDON NW3 7QB
ARCHITECT	
CONTRACTOR	
TITLE	SLIDING DOORSETS

DRAWN	DATE	SCALE
RAH	29.10.2018	1:25/2 @ A1

**NG ARCHITECTURAL**  
GLASS & ALUMINIUM SYSTEMS  
UNIT 2, CHILTERN BUSINESS VILLAGE, ARUNDEL ROAD  
UXBRIDGE, MIDDLESEX, UB8 2SN  
E-mail: info@northoltglass.co.uk  
TEL: 01895 206650 FAX: 01895 238471