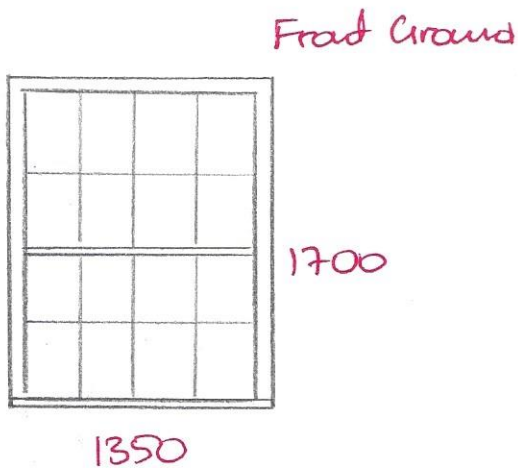
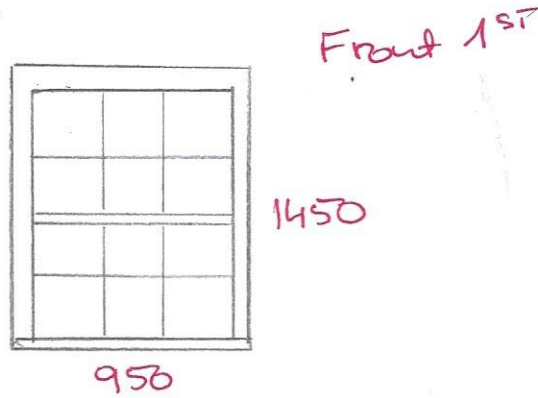
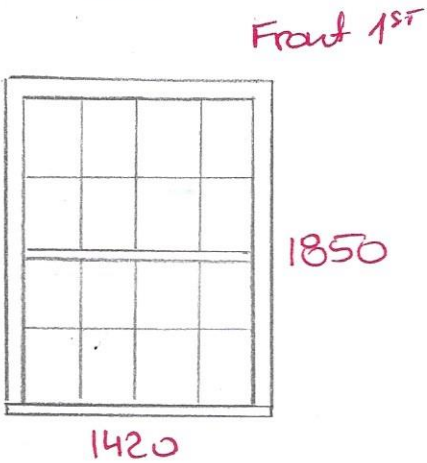
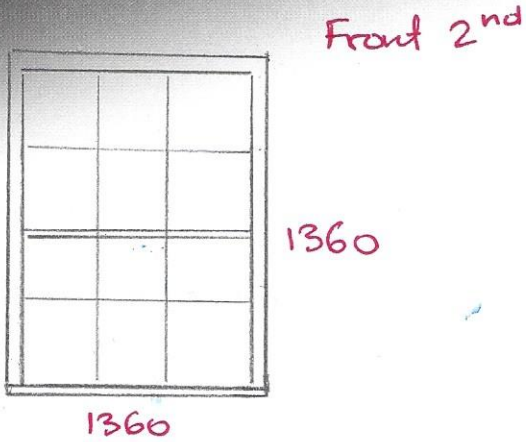
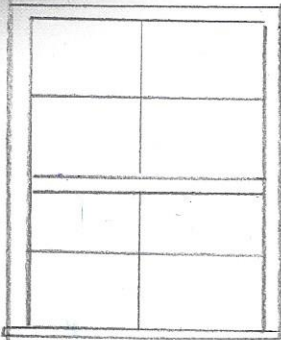


FRONT ELEVATION



Rear 2<sup>nd</sup>

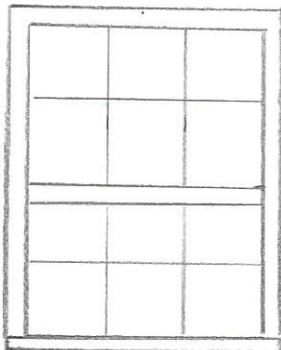
REAR ELEVATION



1100

880

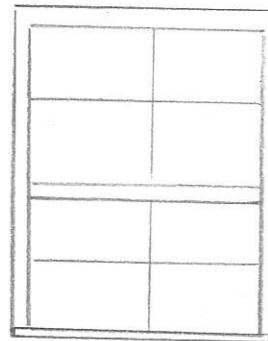
Rear 1<sup>st</sup>



1900

1120

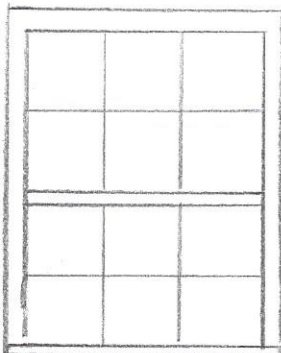
Rear 1<sup>st</sup>



1460

880

Rear 2<sup>nd</sup>

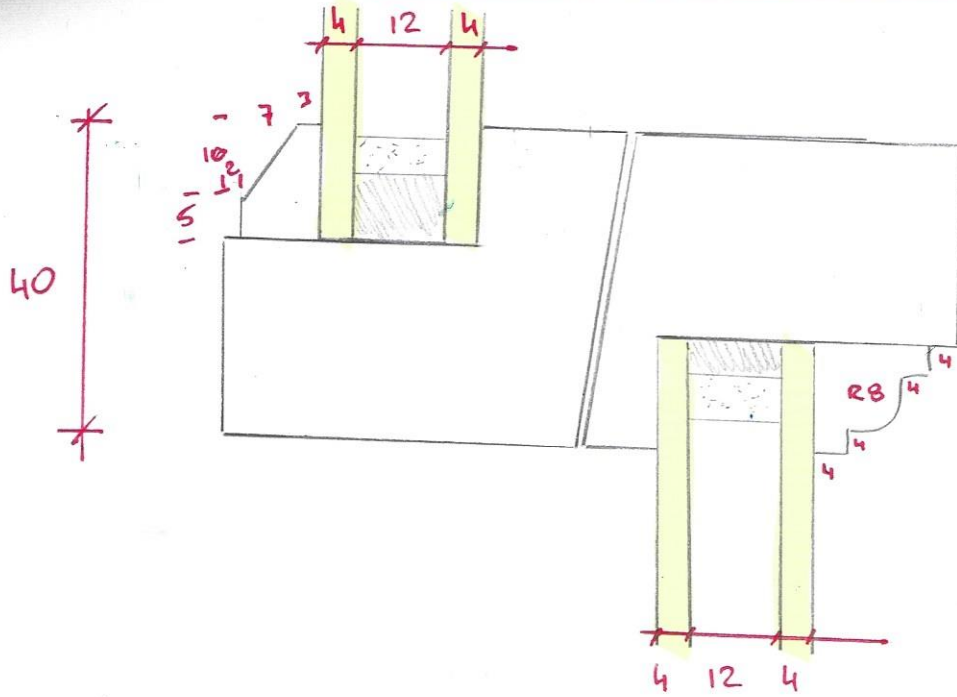


1380

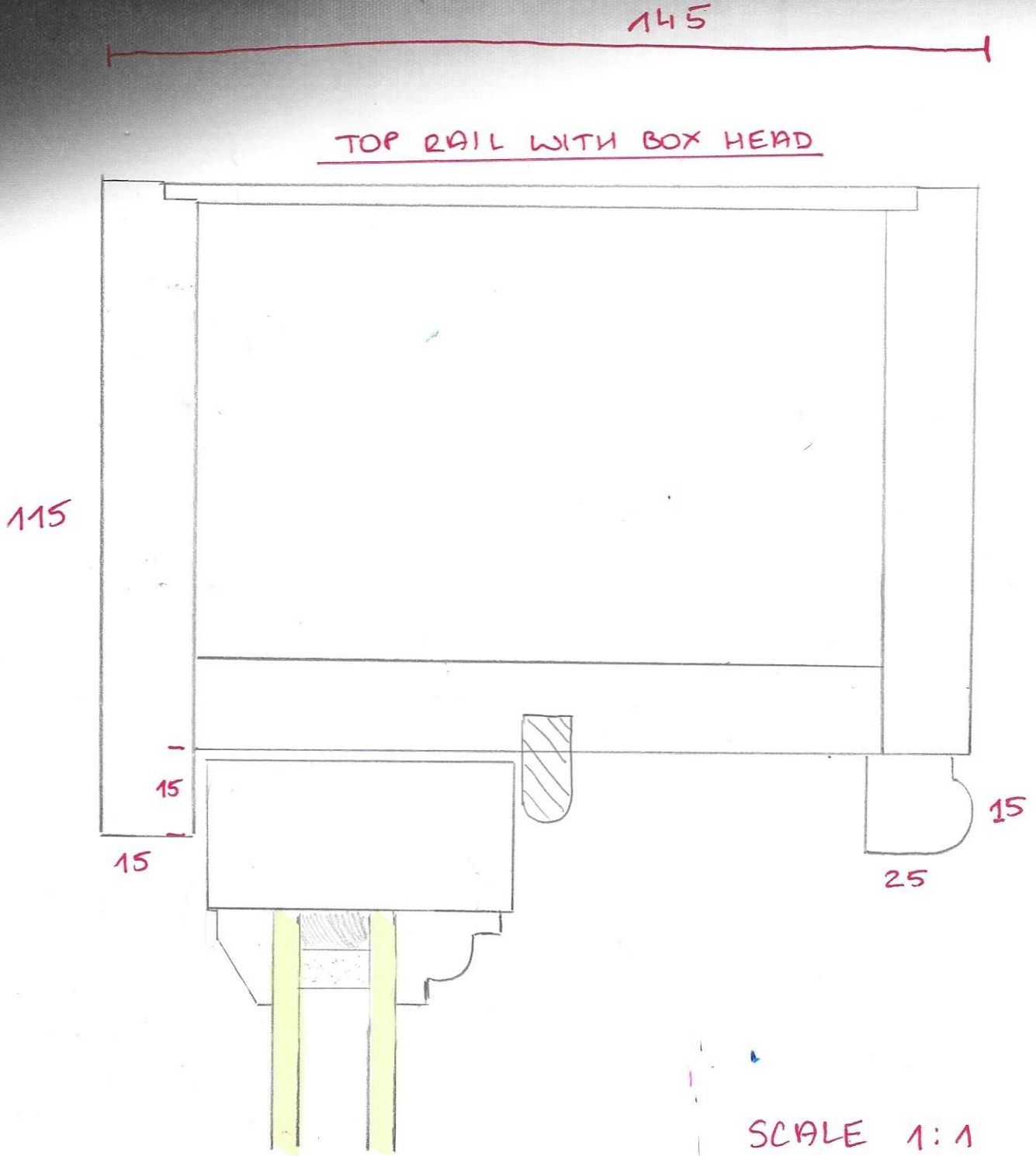
1000



CENTRE INTERLOCK



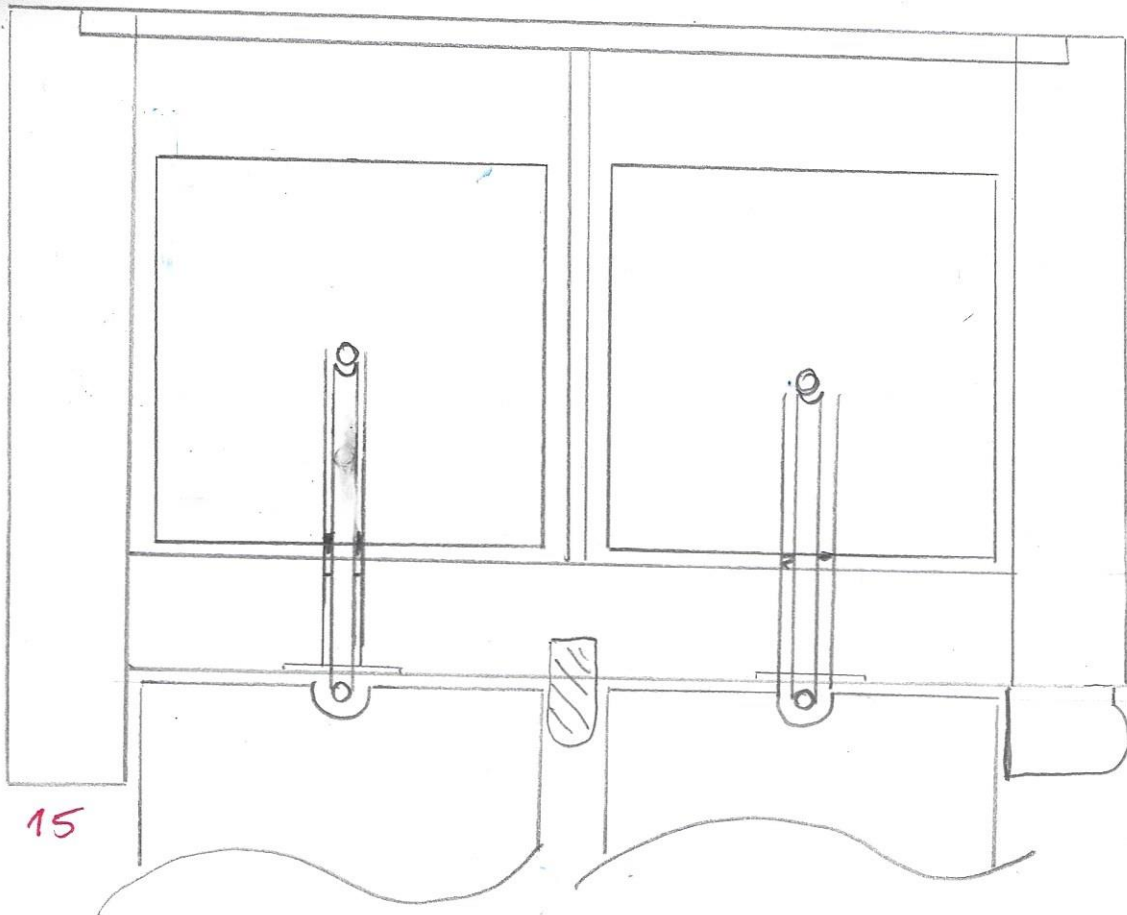
SCALE 1:1



SIDE JAMB WITH WEIGHTS

145

110



15

SCALE 1:1

GEORGIAN BARS

