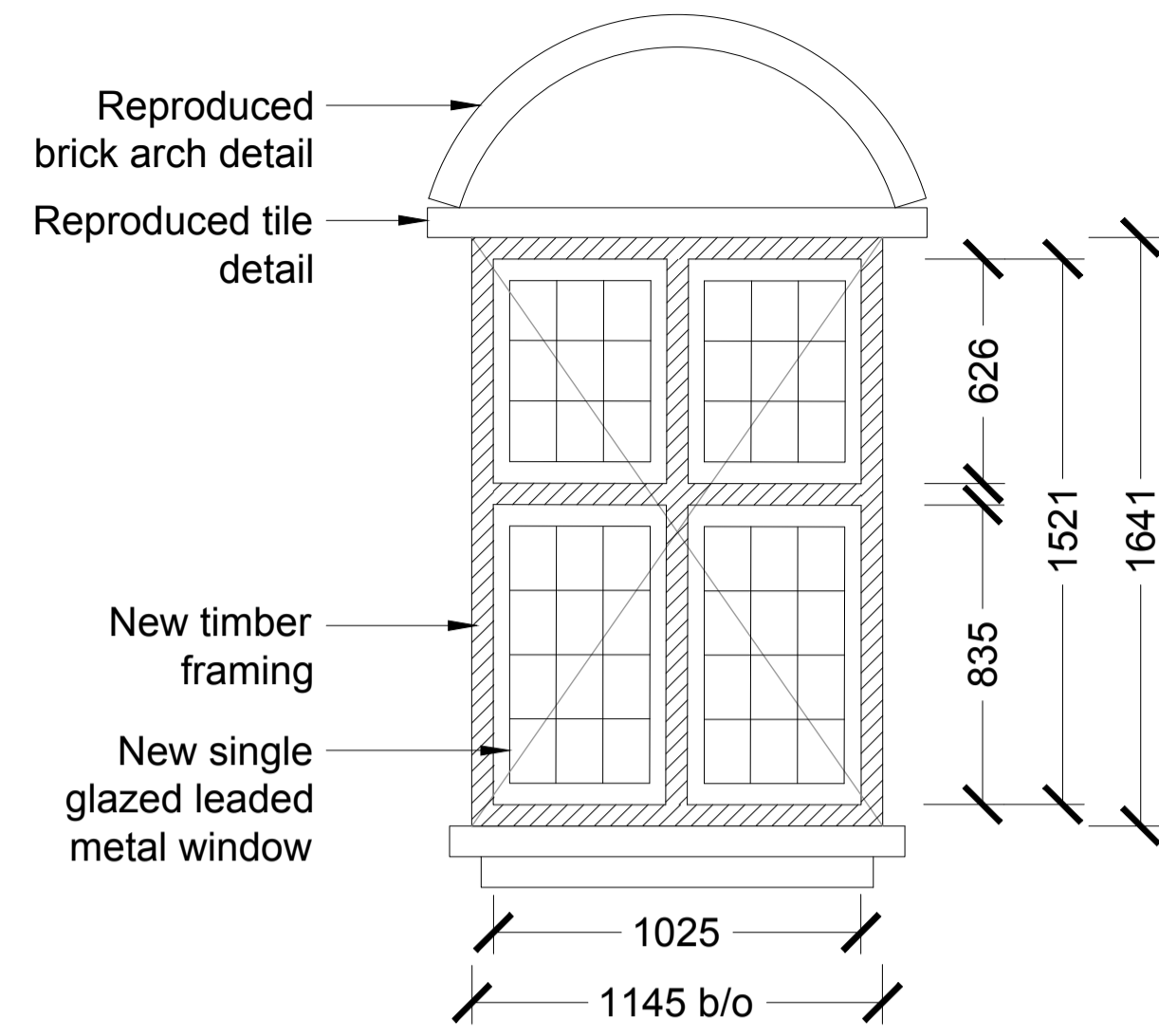
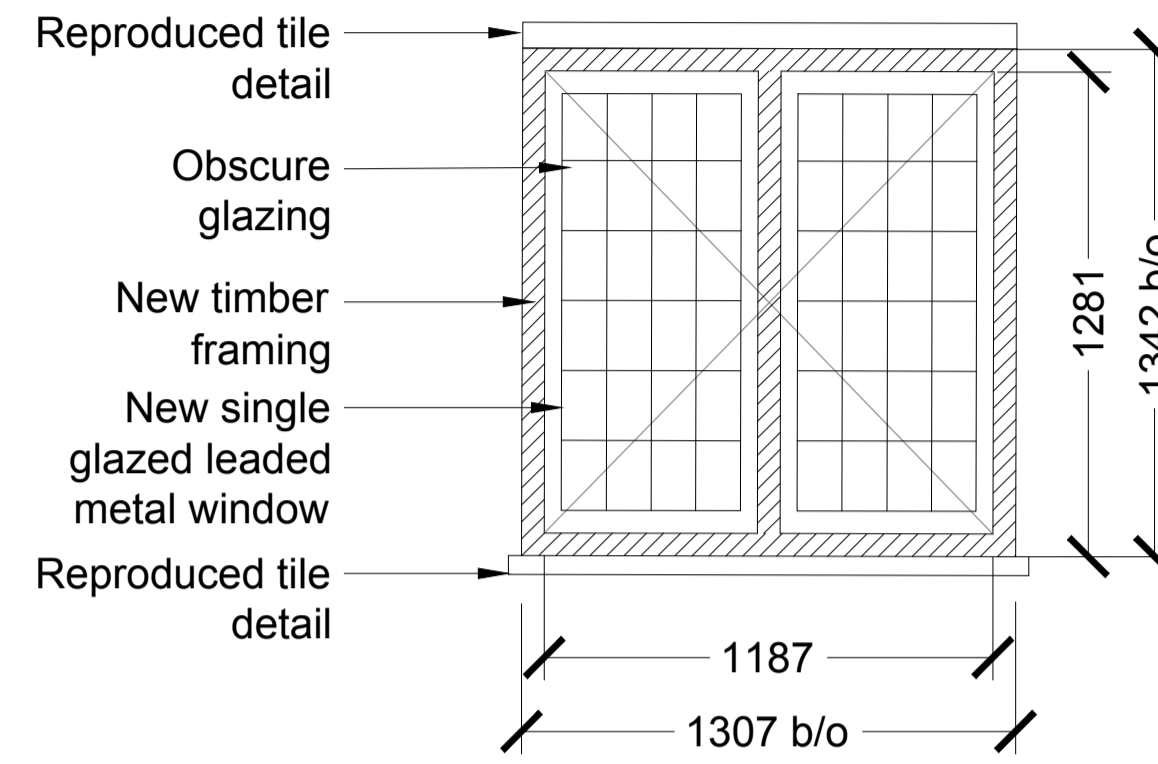


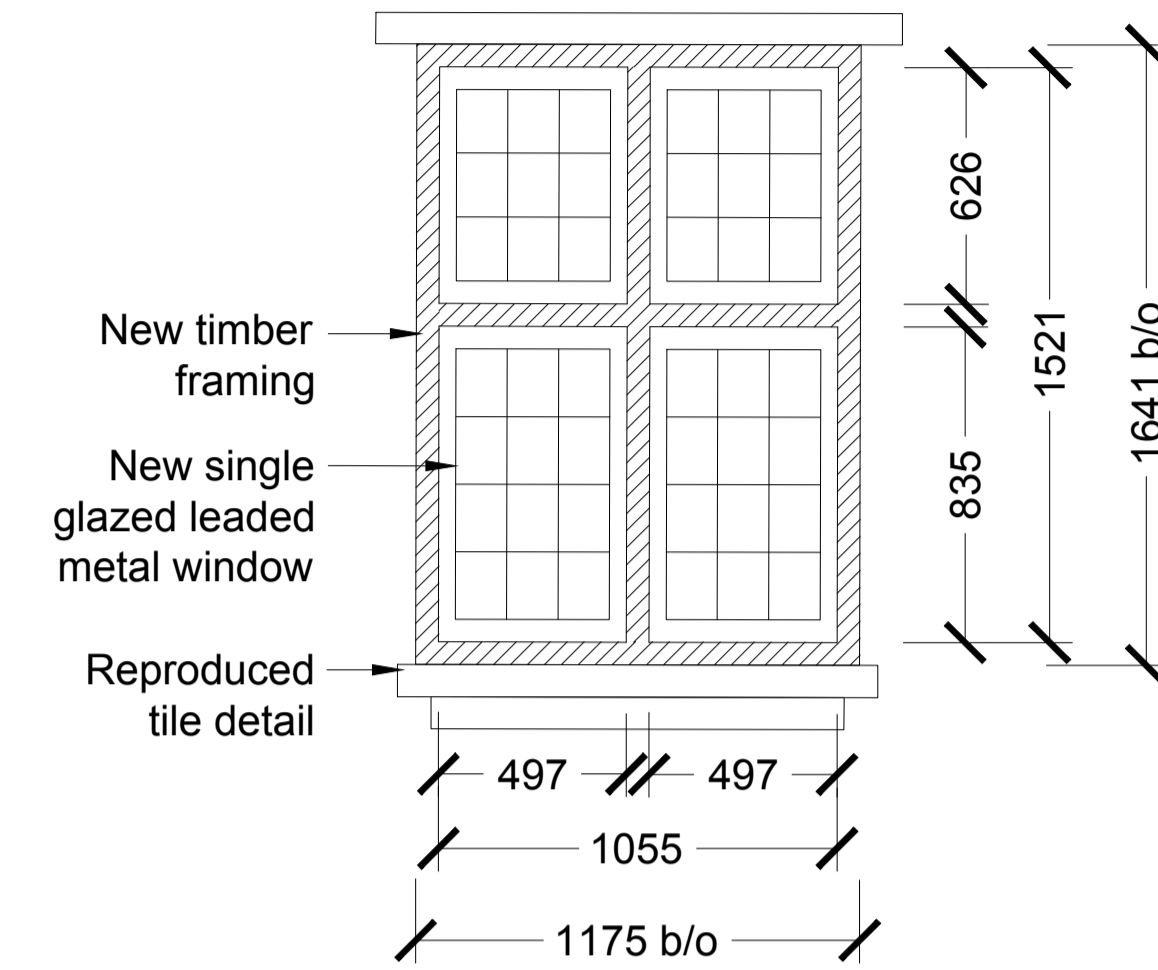
1 - Elevation
 WG13 Unit 1
 Fire Rating: NA
 Total metal window number: 3



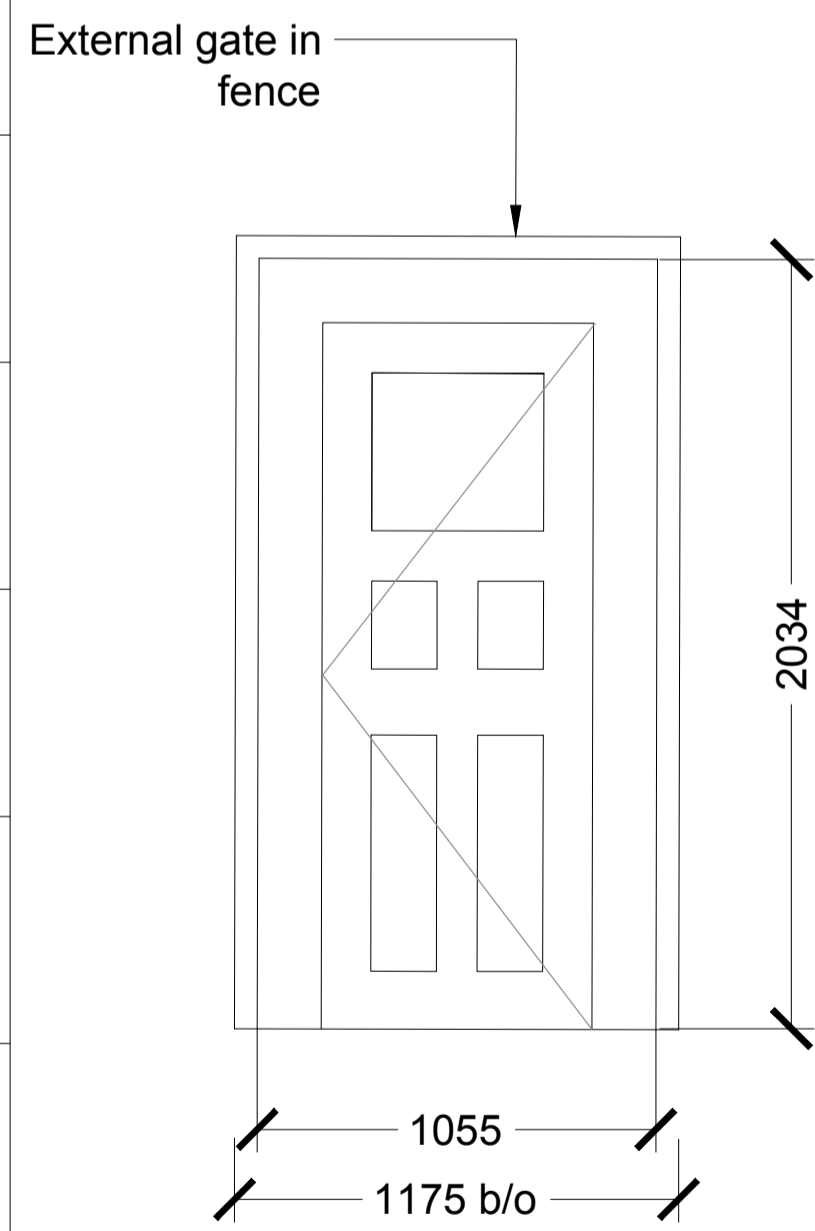
2 - Elevation
 WG14 Unit 1
 Fire Rating: NA
 Total metal window number: 4



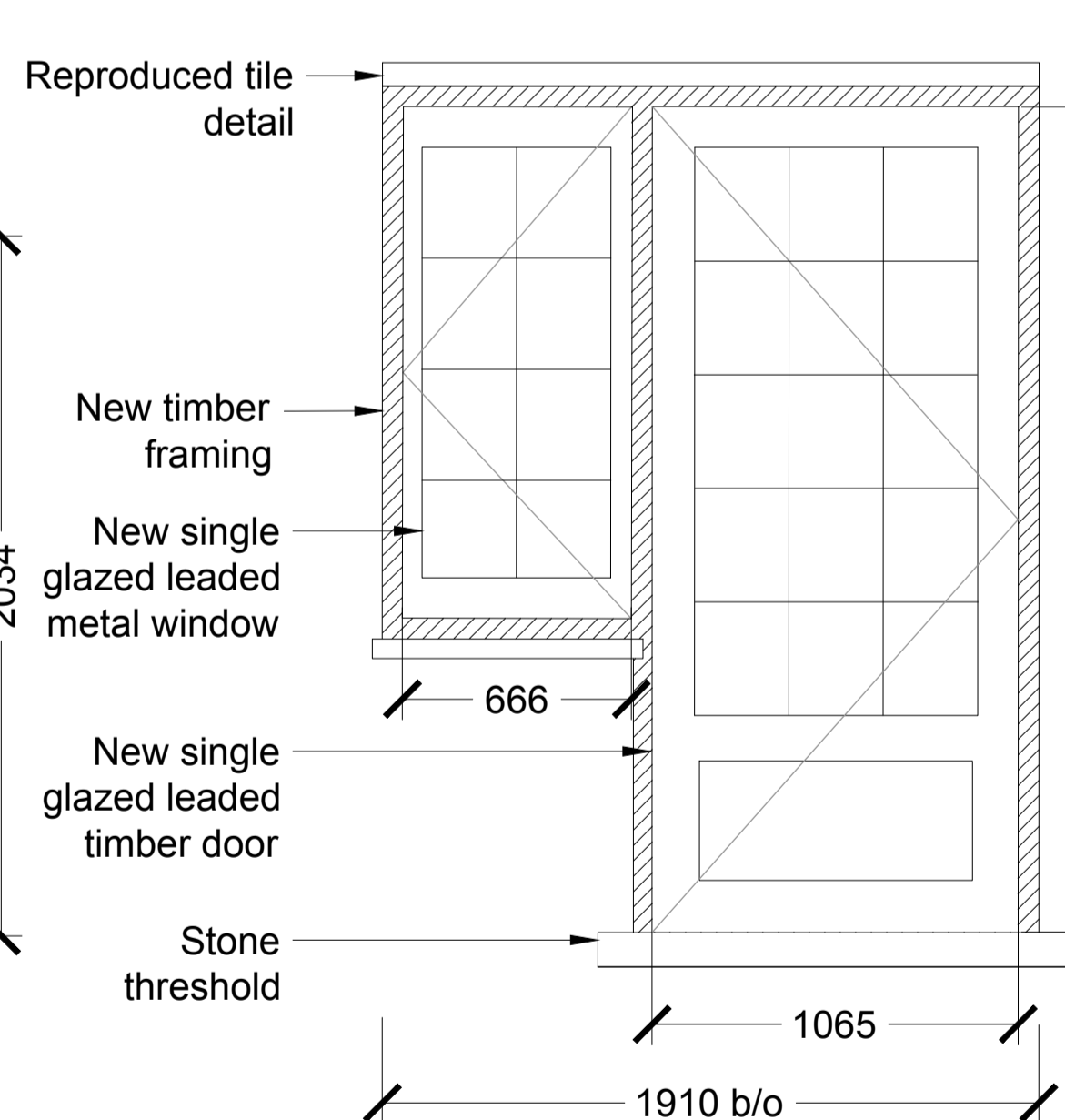
3 - Elevation
 WG31 Unit 5 , WG33 Unit 6
 Fire Rating: NA
 Total metal window number: 4



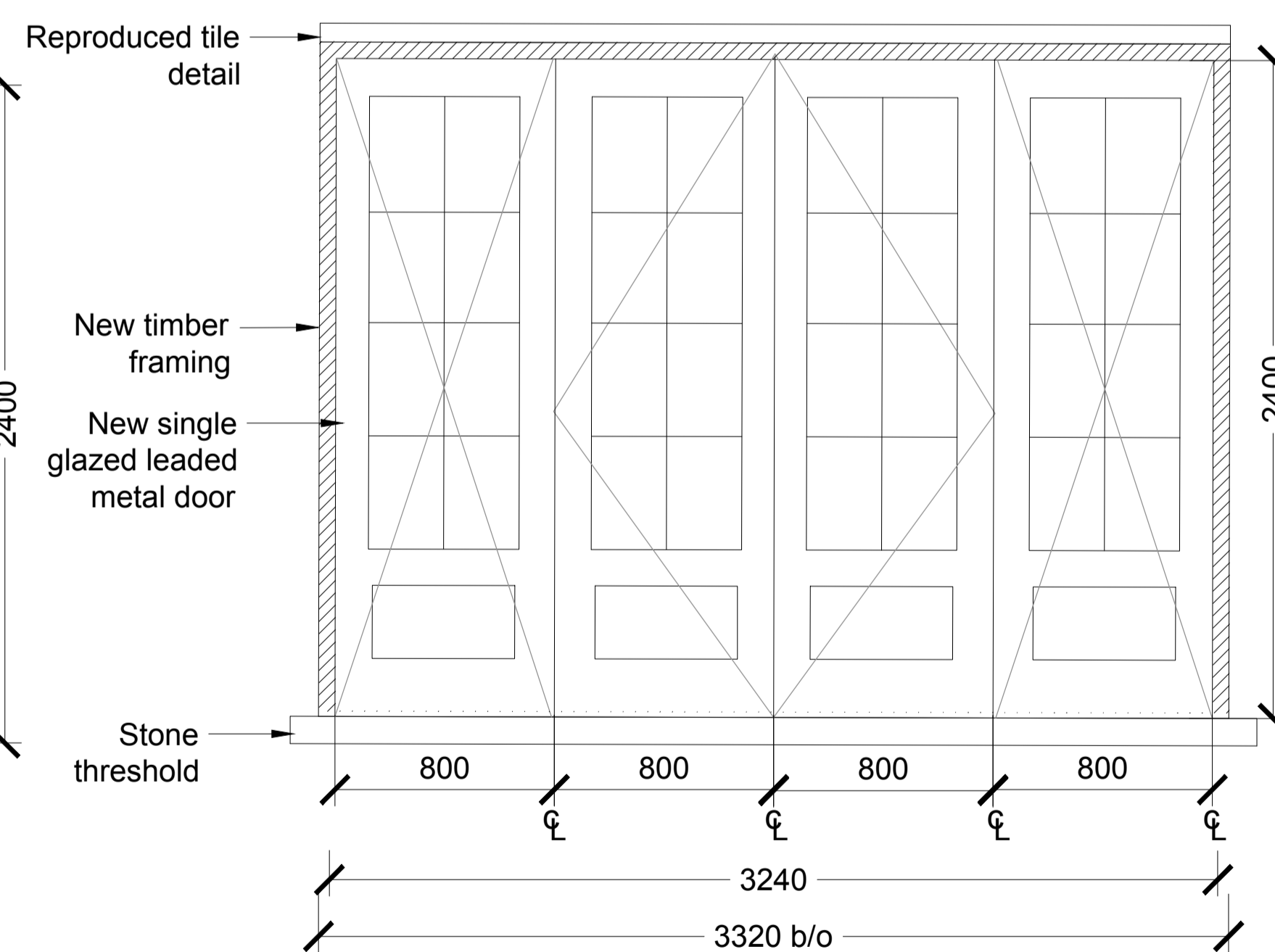
9 - Elevation
 WB14 Unit 1
 Fire Rating: NA
 Total metal window number: 4



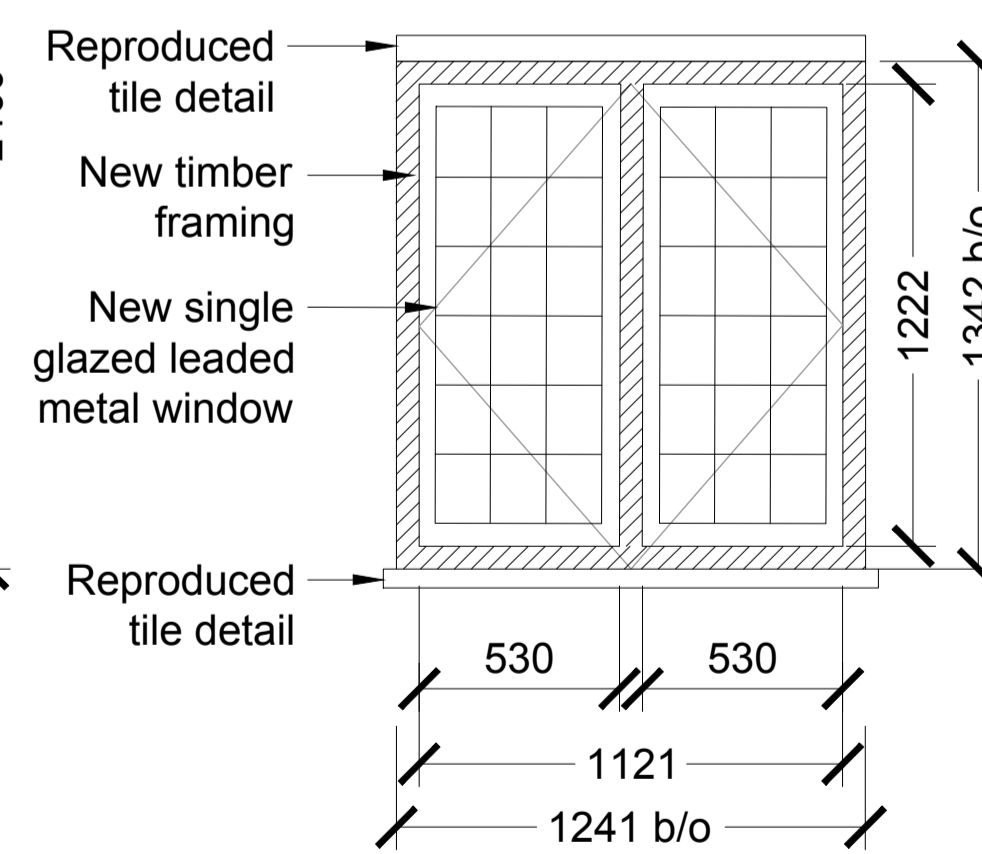
4 - Elevation (Gate)
 EXDG13
 Fire Rating: NA
 External gate only



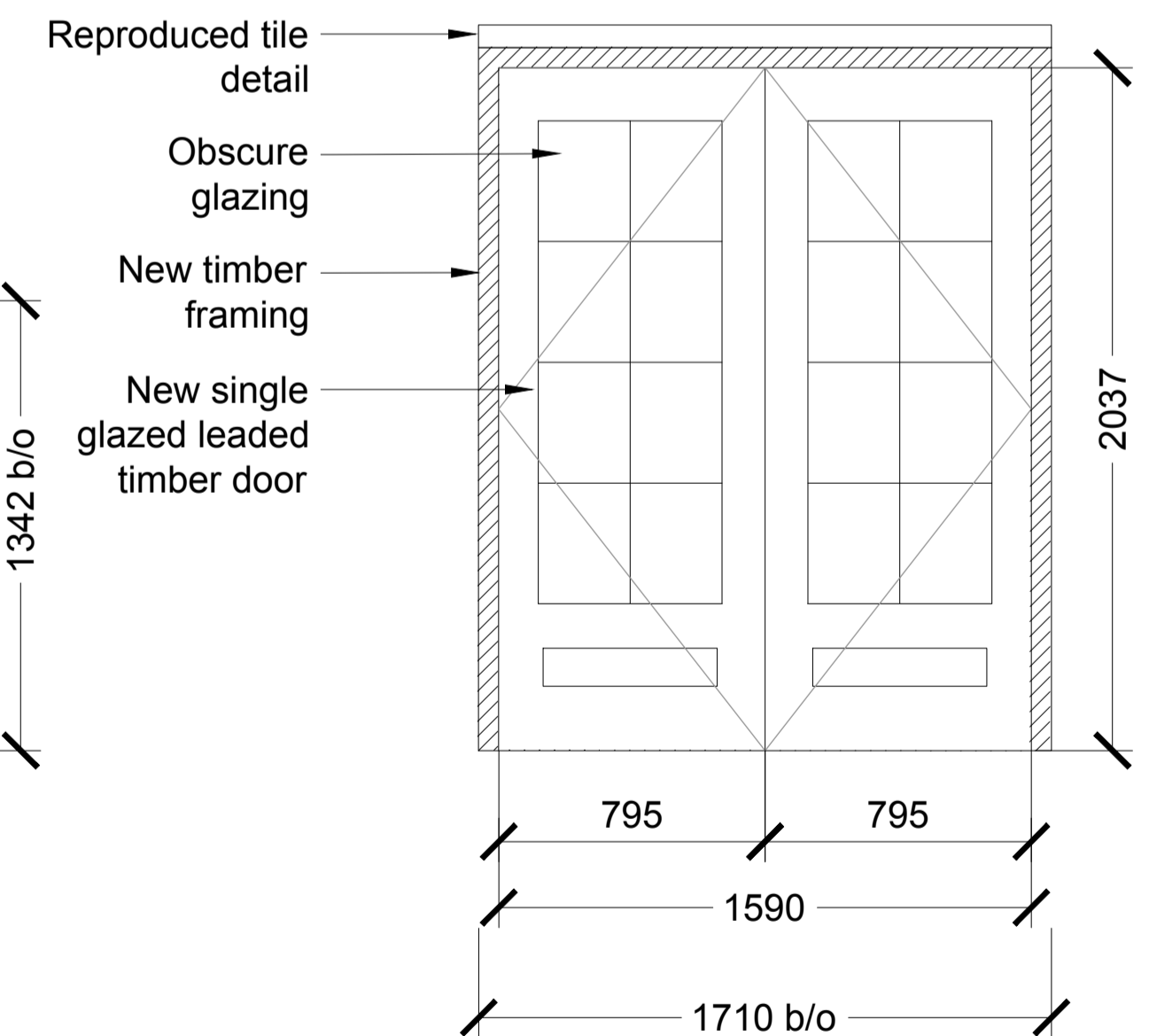
5 - Elevation
 EXDB04 Unit 1
 Fire Rating: 30 mins
 WB06
 Fire Rating: NA
 Total metal window number: 1
 Total timber door number: 1



6 - Elevation
 EXDB05 Unit 1
 Fire Rating: NA
 Total metal window number: 2
 Total metal door number: 1 double door



7 - Elevation
 WB07 Unit 1
 Fire Rating: NA
 Total metal window number: 2



8 - Elevation
 EXDG09 Unit 5, EXDG12 Unit 6
 Fire Rating: NA
 Total timber door number: 1 double door

Revisions		By		Description		Checked		Approved	
Rev	Date	By	Description	Checked	Approved	Rev	Date	By	Description
P1	21.12.18	TS	For MMA Issue	JM	RH				

Window leading thickness - 12mm
 b/o : Brick opening
 Timber frame surround

Window handles and restrictions to match existing originals on all openable panels

A1
A3

Client Sign Off	Accredited Originator: Fire Hammer Client: Platinum Land Project: Belsize Park Firestation Drawing Title: Window door and grille types to extensions Drawing Number: BFS THA PR PA 521 P1	Unit G182, Stamford Works, 3 Gilt Street, London N16 6JH Tel: +44 (0)207 241 7481 Email: studio@firehammer.com 8 Querpel House, 1 Duke of York Square, Kings Road, London, SW3 4LY Date of Origin: 28.11.17 Drawn By: ABF Scale: 1:20 @ A1 Drawing Status: Planning
-----------------	---	--