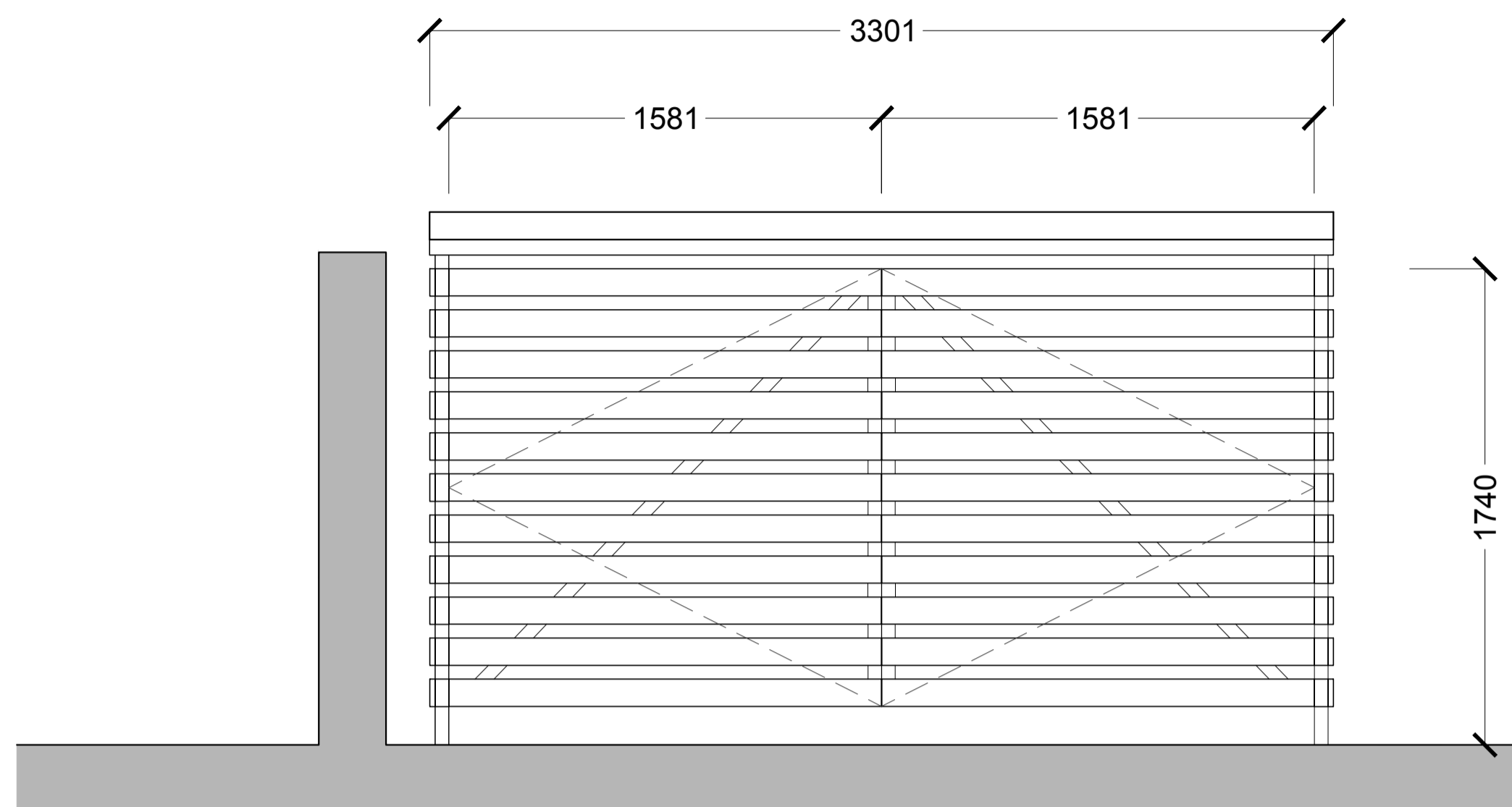


2 - Refuse Store Side Elevation



3 - Refuse Store Front Elevation

Dimensions - Weights - Standards

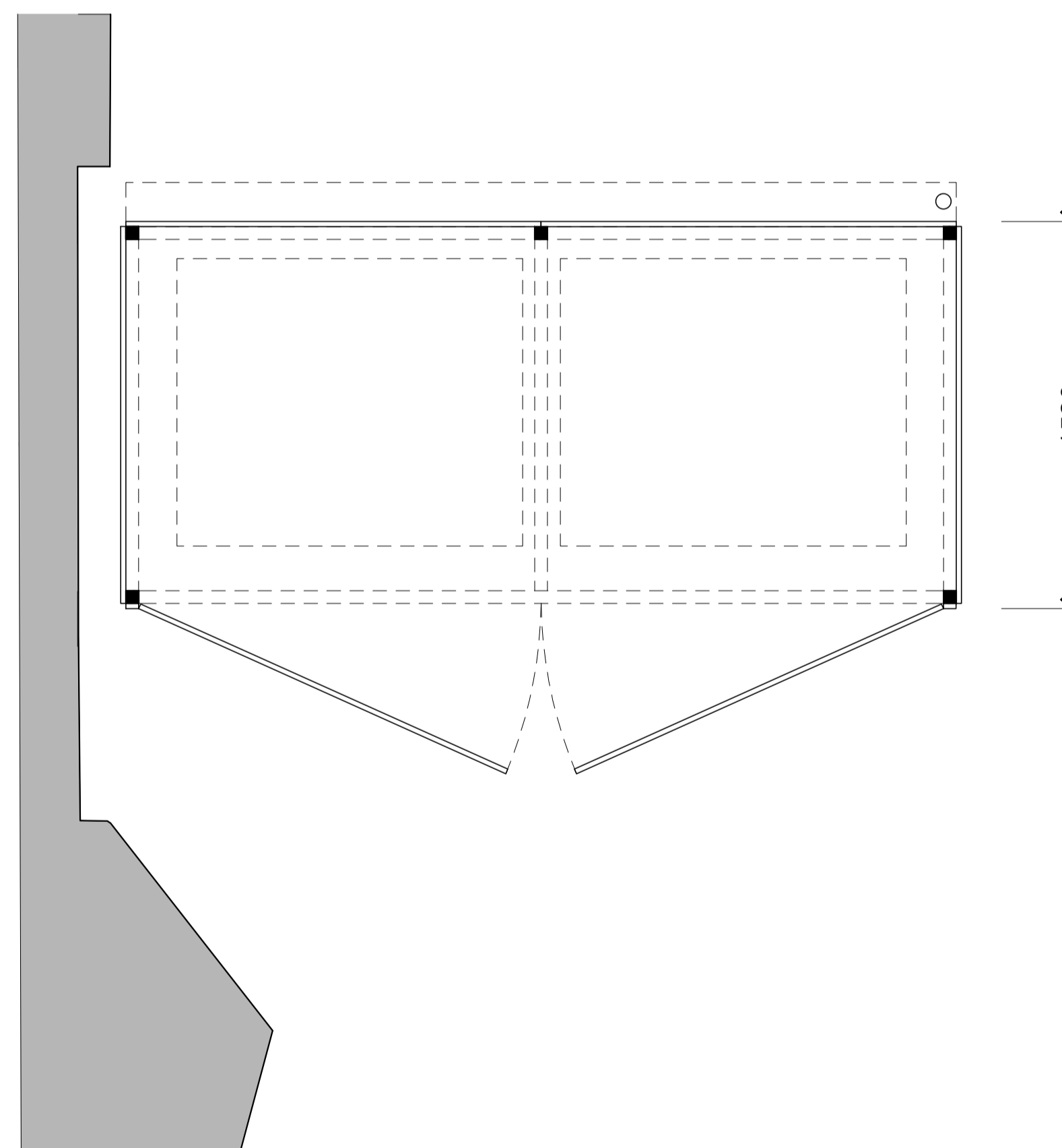
- Nominal volume: 1100 litres
- Net weight: approx. 65 kg
- Max. load: 440 kg
- Permitted total weight: 510 kg

Measurements to be used as a guide only - variations will occur

1100 LITRE SPECIFICATION

MATERIALS

- FRAME OAK
- SIDING OAK BOARDING
- JOINERY OAK
- RAFTERS SHAPED OAK
- ROOF GRP TRAY
- OAK TRIM



1 - Refuse Store Plan

Paper size	Revisions					Revisions						
	Rev. No.	Date	By	Description	Checked	Approved	Rev. No.	Date	By	Description	Checked	Approved
A1 A3	P1	21.12.18	TS	For MMA Issue	JM	RH						

Client Sign Off	Architect/Originator: Tate Harmer Unit G182, Stamford Works, 3 Gillett Street, London N16 6JH Tel: +44 (0)207 241 7481 Email: studio@tateharmer.com	Do not scale. All dimensions to be checked on site. This drawing is copyright.
	Client: Plethora Land 8 Querpel House, 1 Duke of York Square, Kings Road, London, SW3 4LY	Date of Origin: 28.11.17
	Project: Belsize Park Firestation	Scale: 1:20 @ A1
	Drawing Title: Proposed Refuse Store	Drawing Status: Planning
	Drawing Number: BFS THA PR PA 451 P1	