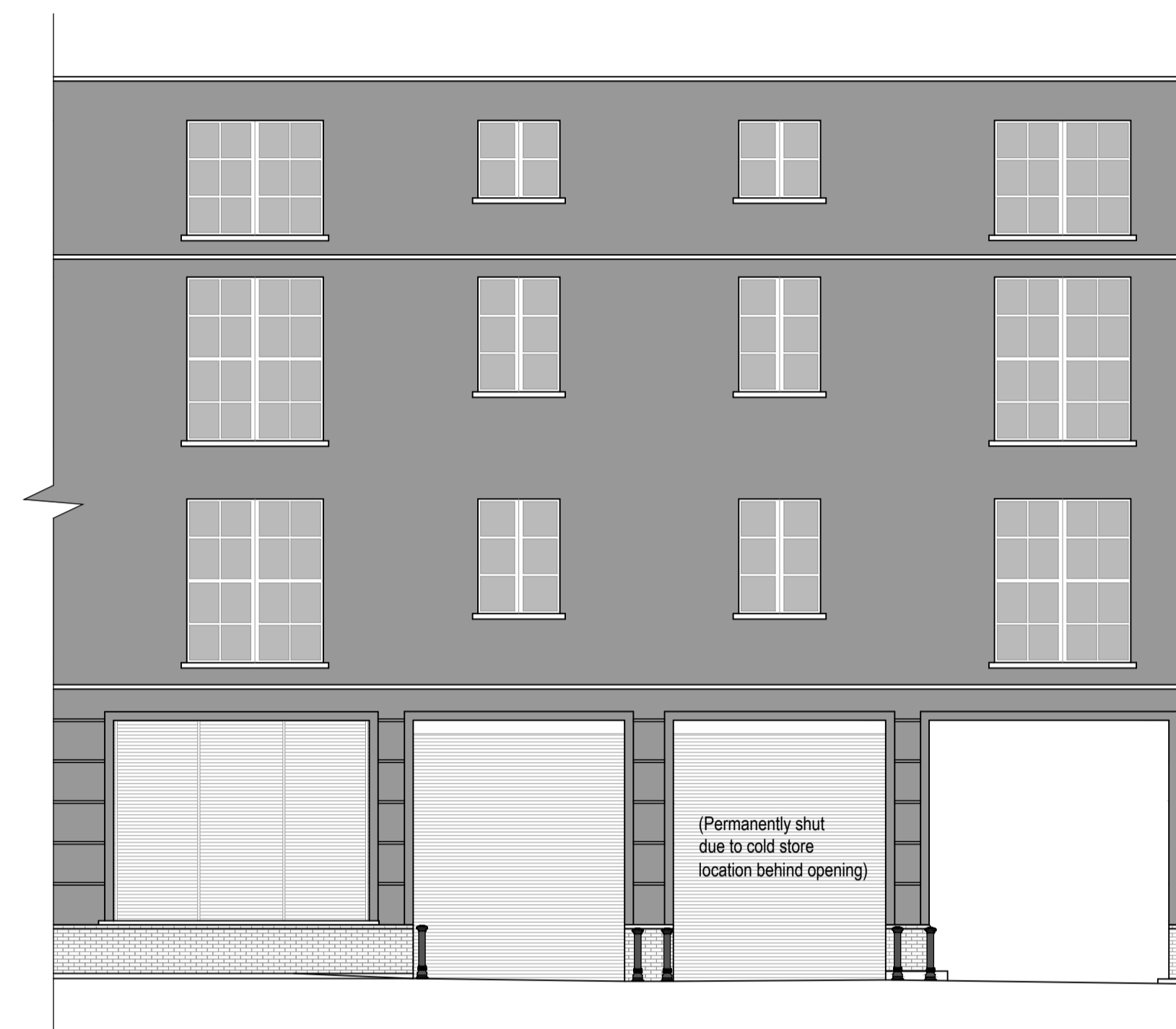


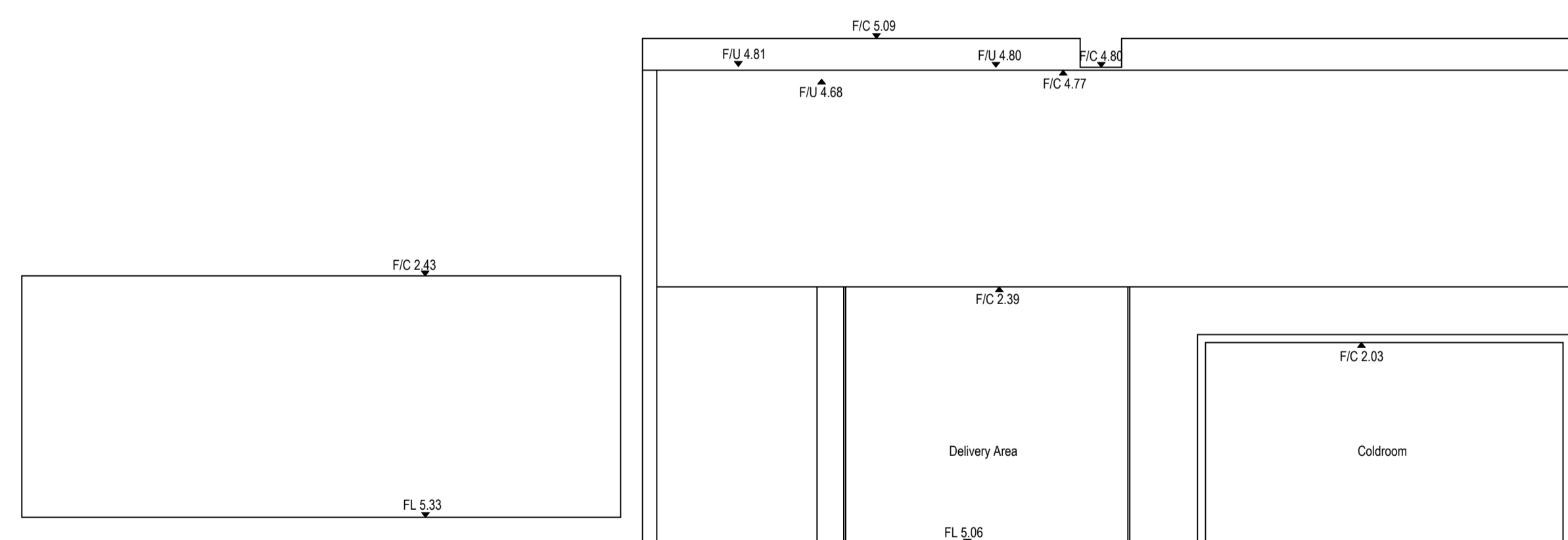
Existing Delivery Area

SCALE 1:50@A1



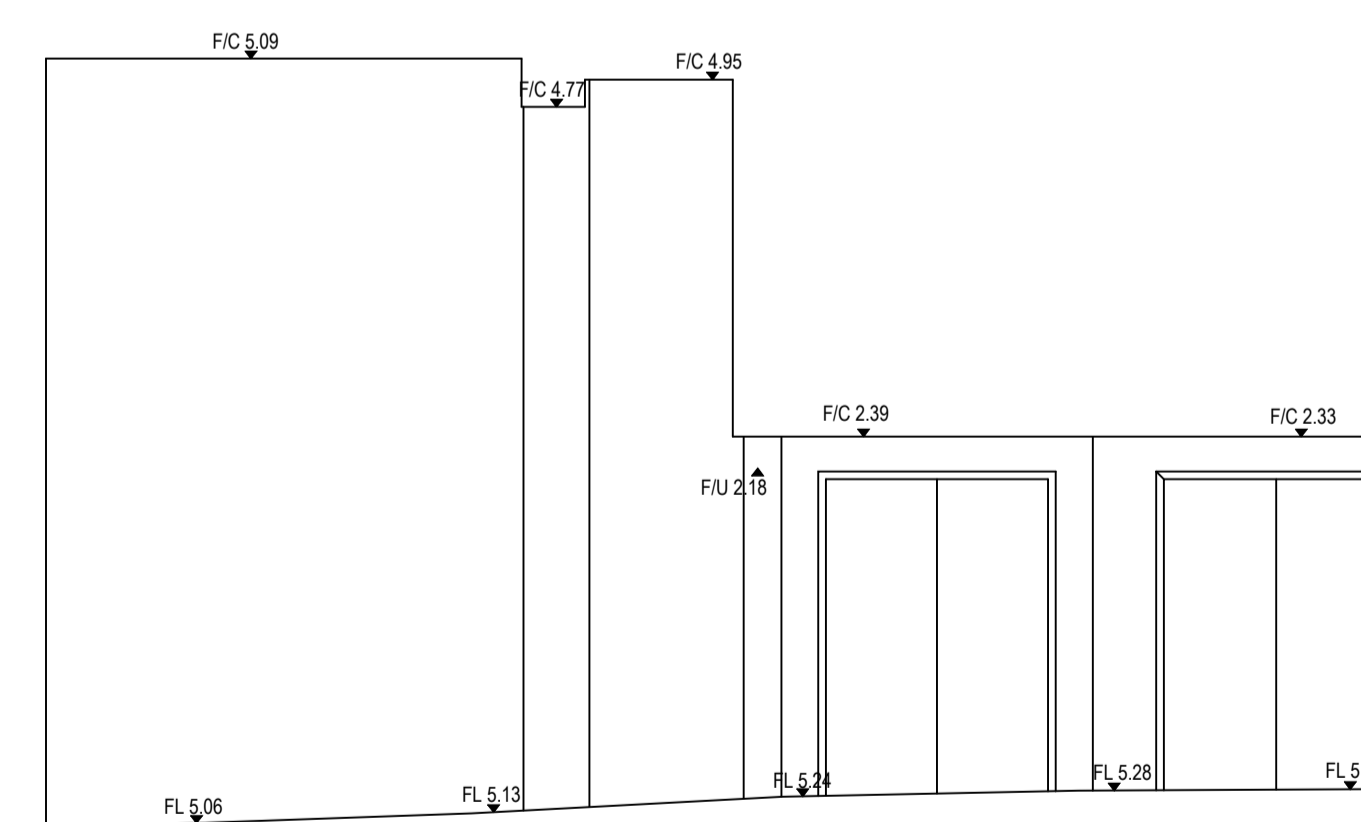
Existing Rear Elevation

SCALE 1:100@A1



Existing Section A-A

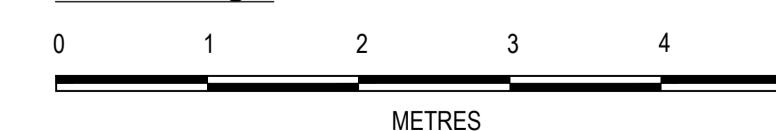
SCALE 1:50@A1



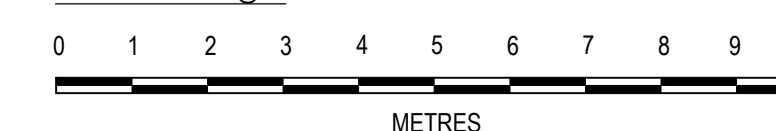
Existing Section B-B

SCALE 1:50@A1

SCALE BAR 1:50@A1



SCALE BAR 1:100@A1



# PLANNING

REVISION	DATE	VARIATION



WWW.ASPIRE-AS.CO.UK  
 UNIT 3, FOXHILLS FARM BUSINESS CENTRE  
 LONGCROSS ROAD  
 CHERTSEY  
 KT16 0DN  
 TEL: 01932 988520

Project ROSEWOOD HOTEL, 252 HIGH HOLBORN, LONDON WC1V 7EN		
Title EXISTING PLANS AND SECTIONS - DELIVERY AREA		
Drawn By DH	Checked ASPIRE	Date OCT 18
Drawing Number 1093-101	Revision A	Scale VARIES@A1
Client -		