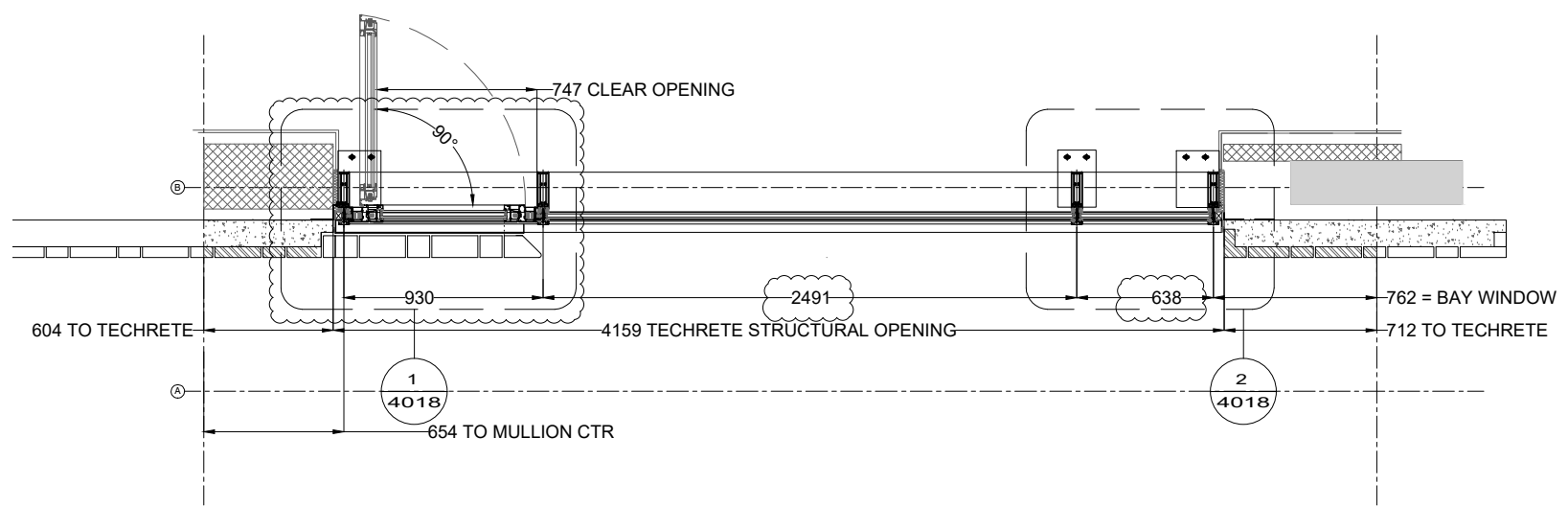
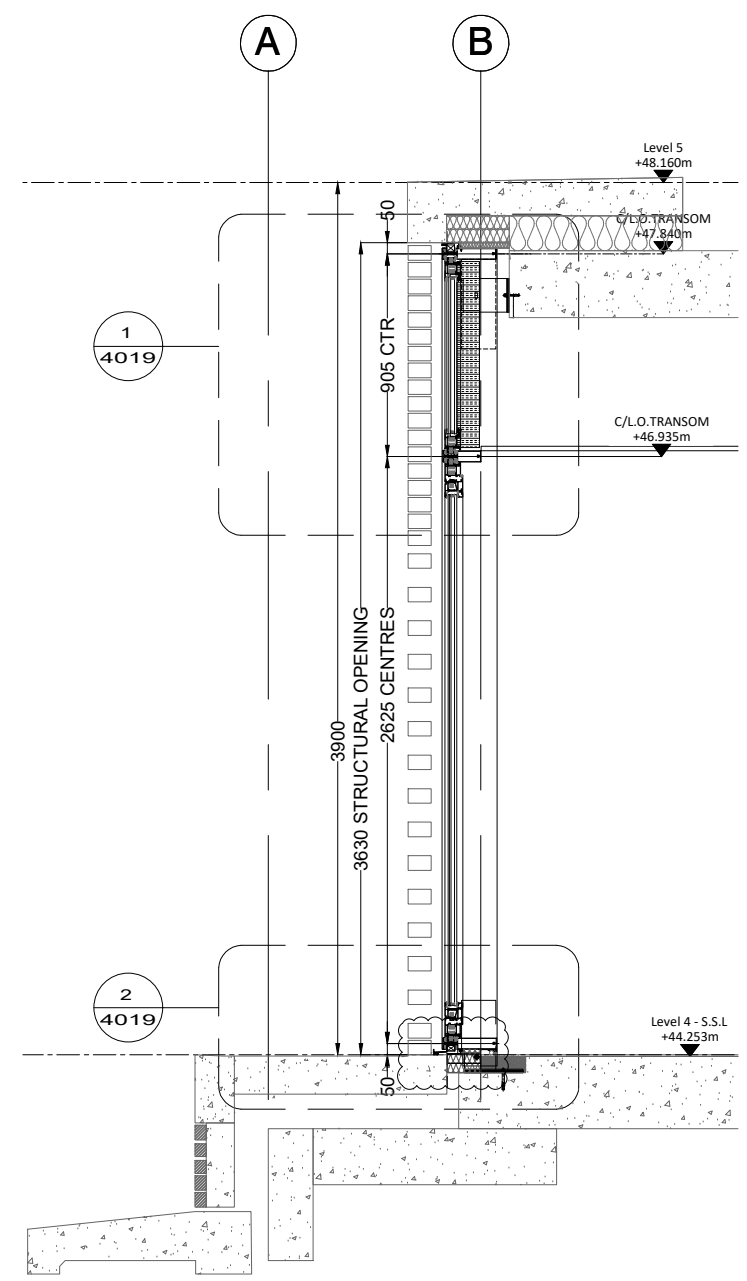
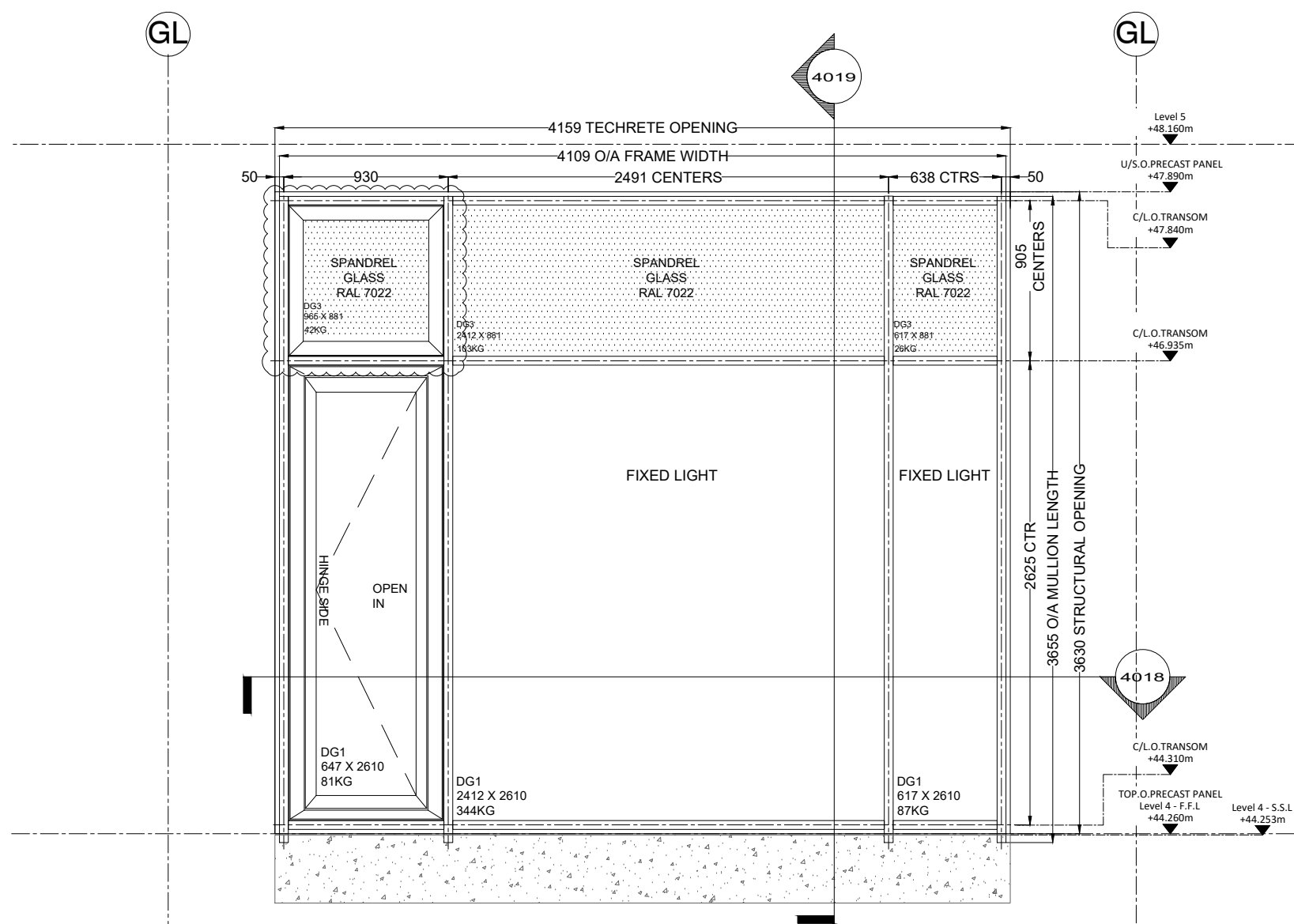
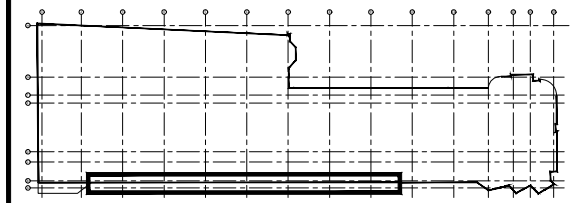


DO NOT SCALE - IF IN DOUBT ASK
THIRD ANGLE PROJECTION

SITE PLAN



EWS-112	
SCREEN REFERENCE	QUANTITY
04-CWA01	1 No. TOTAL
04-CWA02	1 No. TOTAL
04-CWA03	1 No. TOTAL
04-CWA04	1 No. TOTAL
04-CWA05	1 No. TOTAL
04-CWA06	1 No. TOTAL
04-CWA07	1 No. TOTAL
04-CWA08	1 No. TOTAL

Glazed-in Vent Profiles (Bay Window)

- AWS70 Window System

Glazed-In Profile - 368 980
Extension Profile - 358 110
Corner Mullion - 358 500
Vent Outer frame - 358 190
Vent Profile - 358 670
Vent Bead - 184 060
Fixed Light Bead - 184 040
Profile Finish: RAL 7022 MATT (60 Microns)

- Ironmongery

Custodian Handle - 269 517
Custodian Key - 290 018
Profile Finish: Satin Silver Anodized Finish

REV	DATE	BY	DESCRIPTION
C01	28.06.18	BD	FIXED LIGHT WITH SUBFRAME ADDED. CILL PRESSING CHANGED
P07	06.06.18	BD	BRICK PANEL AND MULLION ADJUSTED
P06	21.05.18	BD	LEVELS REVISED
P05	27.04.18	BD	INSULATION ADDED TO SPANDREL PANEL
P04	20.04.18	BD	MULLION & TRANSOM LENGTHS CHANGED
P03	19.12.17	SA	CHANGES BUBBLES APPROVAL
P02	13.11.17	SA	ISSUED FOR COMMENTS
P01	09.10.17	SA	ISSUED FOR COMMENTS

ISSUED FOR: - CONSTRUCTION

Fleetwood Architectural Aluminium

Fleetwood House,
480 Bath Road,
Slough, Berkshire,
SL1 6BB
Tel : 01753-576680
Fax : 01753-463100
info@faa-group.co.uk
www.faa-group.co.uk

DRAWING TITLE: EWS-112 FLAT WINDOW CURTAIN WALL LEVEL 4	PROJECT: UCLH - PHASE 5 London, WC1E 6AG MAIN CONTRACTOR: Mace Construction
---	---

DATE: 09.10.17	DRAWN BY: SA	SCALE: 1:32	CHECKED: SV
DRAWING No. P5-FAA-001-04-DR-X-2004			REV: C01

DRY LINING INTERFACE WITH CURTAIN WALL JAMBS AND HEAD INDICATIVE ONLY.

FOR DETAILED ALIGNMENT, PLEASE REFER TO DRY LINING PACKAGE.

FOR DETAILED CEILING INTERFACES, PLEASE REFER TO CEILING PACKAGE.