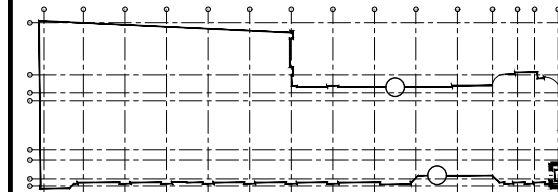


DO NOT SCALE - IF IN DOUBT ASK

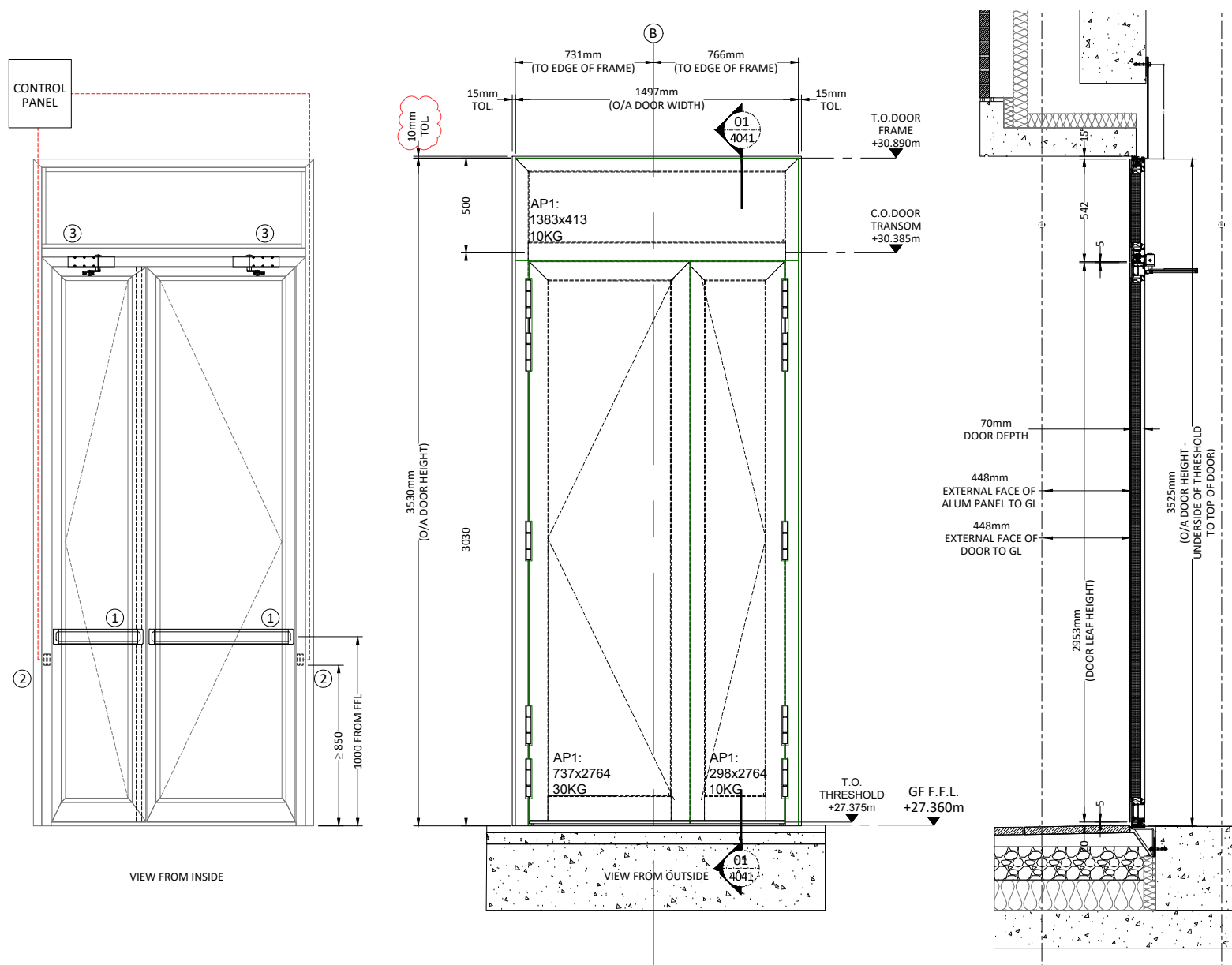
THIRD ANGLE PROJECTION

SITE PLAN



DRS-102

SCREEN REFERENCE	QUANTITY
00-CWA09	1 No. TOTAL



Huntley Street Emergency Escape Door

PROFILE

Door System:	ADS70 HD
Outer Frame:	358170
Vent Frame:	395630
Mid-Rail:	372260 / 372280 (Transom)
Bottom-Rail:	171820
Meeting Leaf Profile:	395540 Mullion
Threshold:	171230
Bead:	-
Glazed-in Adaptor:	-
Gasket:	-

IRONMONGERY

Handle Type and Finish:	-
Hinge Type and Finish:	Barral hinges 239596 RAL 7022 MATT
Rosette Type and Finish:	-
Closer Type and Finish:	-
Restrictor Type and Finish:	Concealed door Restrictor
Lock Type:	-

FINISH

Internal Finish:	RAL 7022 Matt (60 Microns) Class 2
External Finish:	RAL 7022 Matt (60 Microns) Class 2

GLASS SPECIFICATION

DG Type:	AP1 - Aluminium Panel
Glass Thickness:	40mm

DOOR PARAMETERS

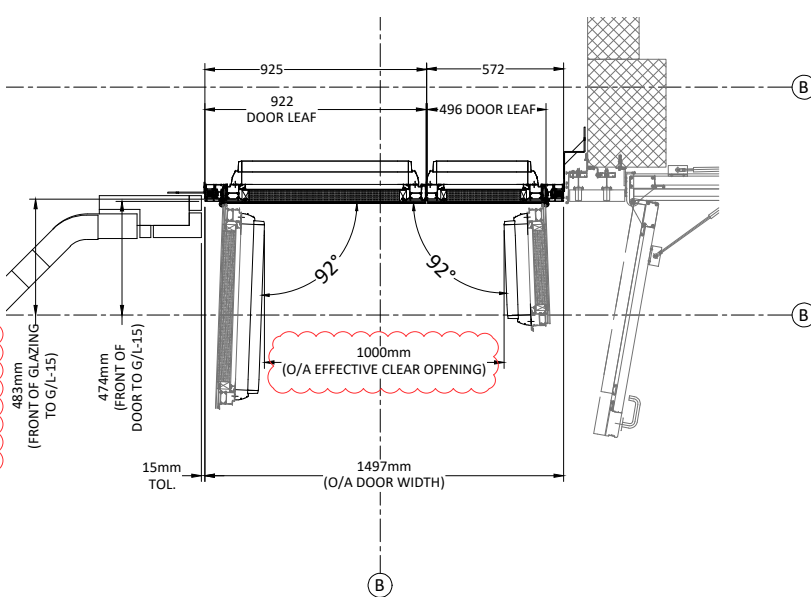
Quantity:	1
Glazed-in or Standalone:	Standalone
Handing:	Double Door

ADDITIONAL INFORMATION

The door can be used to egress from of the building only. The door is design to open by pushing the escape bar in an emergency.

KEY

1	Schuco push bar 240.387 for emergency door system in accordance with EN 1125. In an emergency when the master leaf is pushed the door opens. When the slave leaf is pushed it pushes the master leaf open simultaneously.
2	Schuco door contact bridge 209.243. Concealed between the outer frame & door leaf on the hinge side. Cables to run through the door frame/CW connect to alarm.
3	DORMA TS 83, transom fixed, push side, manual door closer.



REV	DATE	BY	DESCRIPTION
P03	19.11.18	SA	CHANGES CLOUDED IN RED
P02	19.10.18	SA	IRONMONGERY INFO ADDED
P01	03.09.18	SA	ISSUED FOR APPROVAL

ISSUED FOR: - **APPROVAL**

Fleetwood  Fleetwood House,
480 Bath Road,
Slough, Berkshire,
SL1 6BB
Tel : 01753-576680
Fax : 01753-463100
info@faa-group.co.uk
www.faa-group.co.uk

Architectural Aluminium

DRAWING TITLE: DRS-102 00-ED1.1 ELEVATION & PLAN	PROJECT: UCLH PHASE 5 MAIN CONTRACTOR: MACE
DATE: 03.09.18	DRAWN BY: SA
SCALE: NTS @A3	CHECKED: SV
DRAWING No. P5-FAA-001-00-DR-X-2043	REV: P03