

PLANNING ISSUE

REV	DATE	DESCRIPTION	BY	APP'D
PL3	23.10.18	Update / Planning Revision	SB	
PL2	23.10.18	Update / Planning Revision	SB	
PL1	26.07.18	INITIAL PLANNING ISSUE	JDC	ME
P1	24.07.18	INITIAL PRELIMINARY ISSUE FOR COMMENT	JDC	

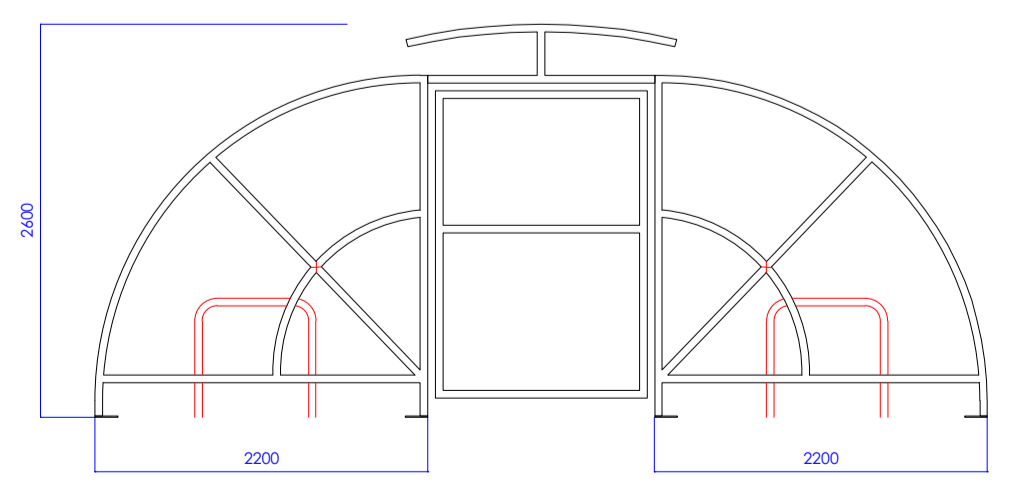
CLIENT
UNIVERSITY OF LONDON

PROJECT
PROPOSED BICYCLE COMPOUND AT
SENATE HOUSE PARKING LOT

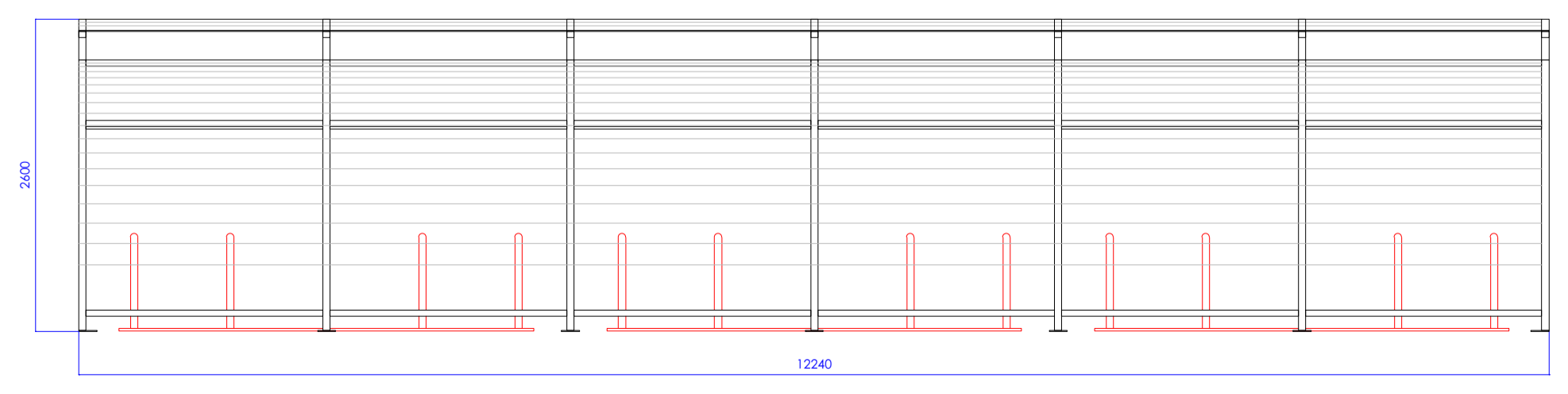
DRAWING TITLE
PROPOSED PARKING LOT LAYOUT &
COMPOUND ELEVATIONS

DATE	July 2018	DWG. No.	REV.
SCALE	1:100/1:50(A1)	UL/001.101	PL3
DRAWN BY:	JDC	DATED	26:11:2018
CHECKED BY:		DATED	

JD CLAYTON Ltd. BUILDING SURVEYOR
BUILDING DESIGN
DRAFTING SERVICES
5 FOURTH AVENUE | ROMFORD | ESSEX | RM7 0UA
T: 01708 735762 | M: 07758 924084 | E: johnclaytonclan@msa.com



COMPOUND SIDE ELEVATION
Scale 1:50



COMPOUND FRONT ELEVATION
Scale 1:50