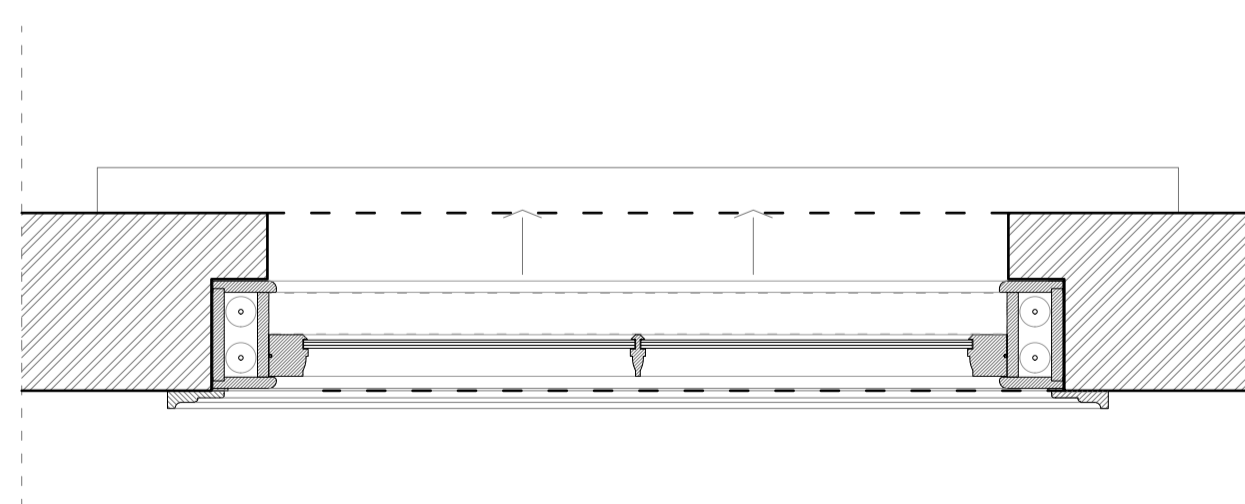


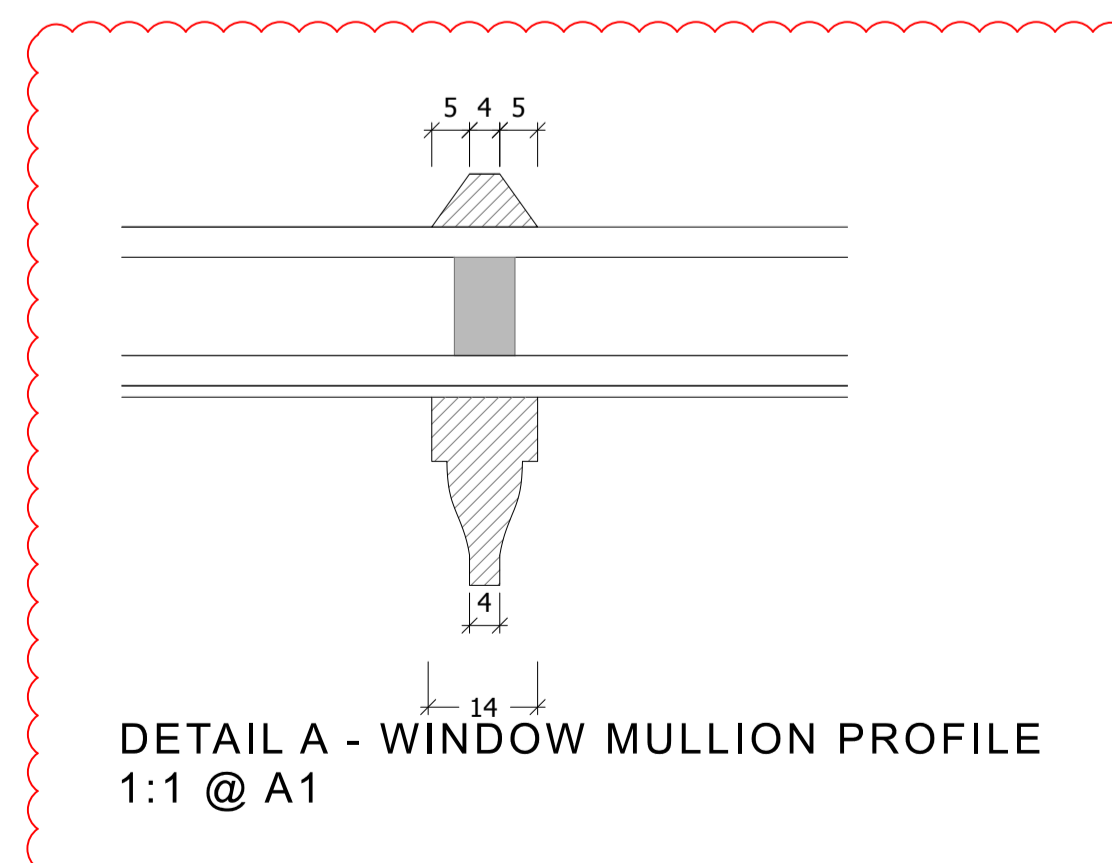
**GENERAL NOTE**

WINDOW TYPE 03 - ELEVATION  
1:10 @ A1



WINDOW TYPE 03 - PLAN  
1:10 @ A1

WINDOW TYPE 03 - SECTION  
1:10 @ A1



**REVISIONS**

- REV A - 13/12/2018
- DETAIL A REVISED

**CLARKE  
PENMAN**

78 CROUCH HILL  
LONDON N8 9EE  
0207 263 7121

Project 38 ST PAUL'S CRESCENT  
LONDON, NW1 9TN

Project No.  
**6249**

Date NOVEMBER 2018  
Scale / Format 1:10 @ A1 / 1:20 @ A3

Drawing No.  
6252\_03\_512

Drawing Name PROPOSED WINDOW TYPE 03 DETAILS  
Rev **A**

PLANNING