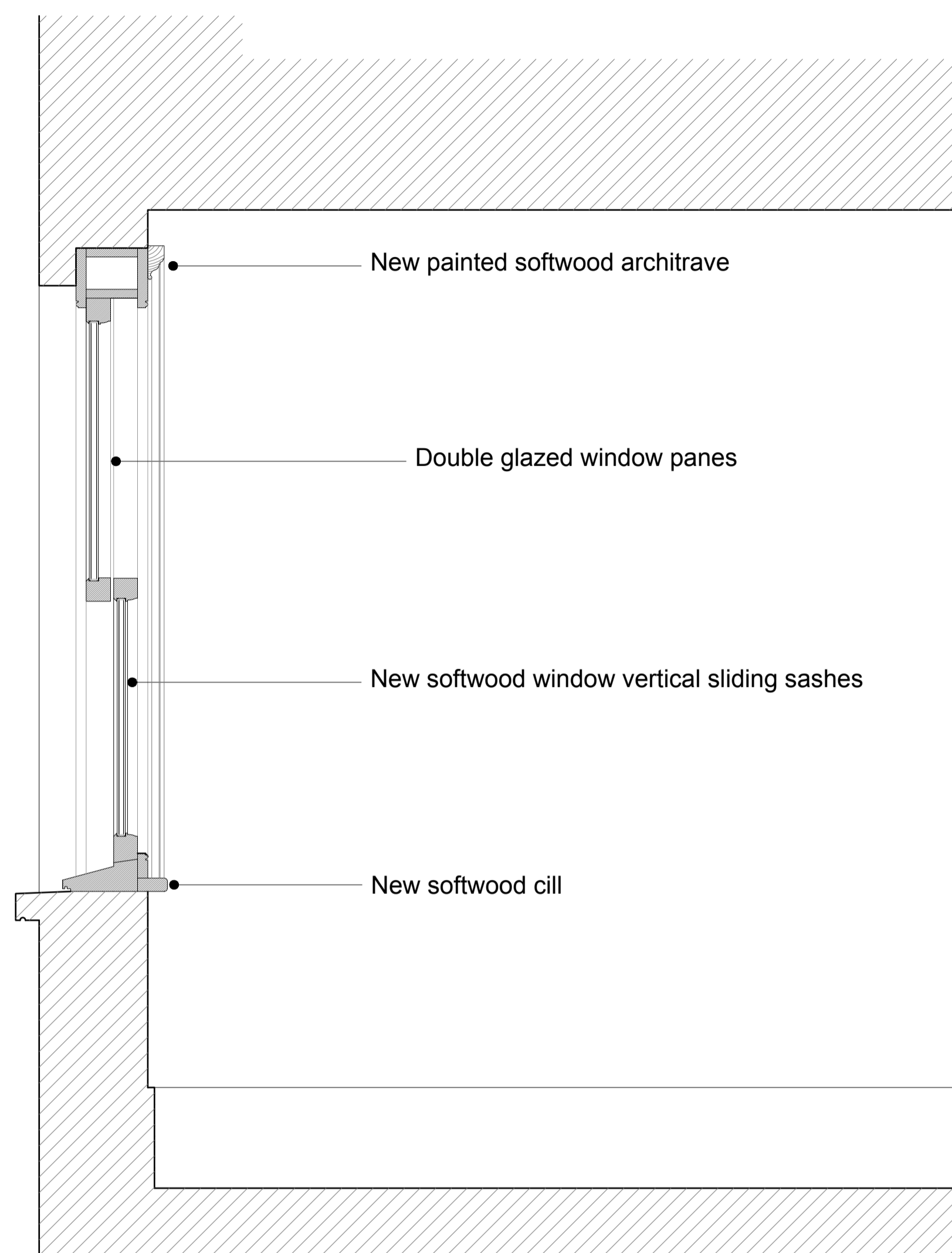
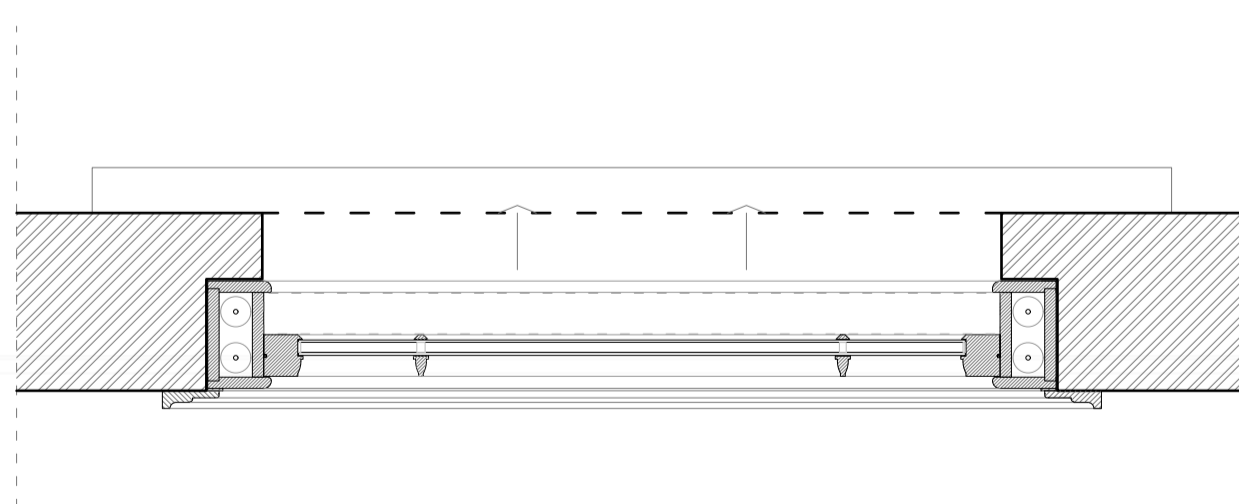


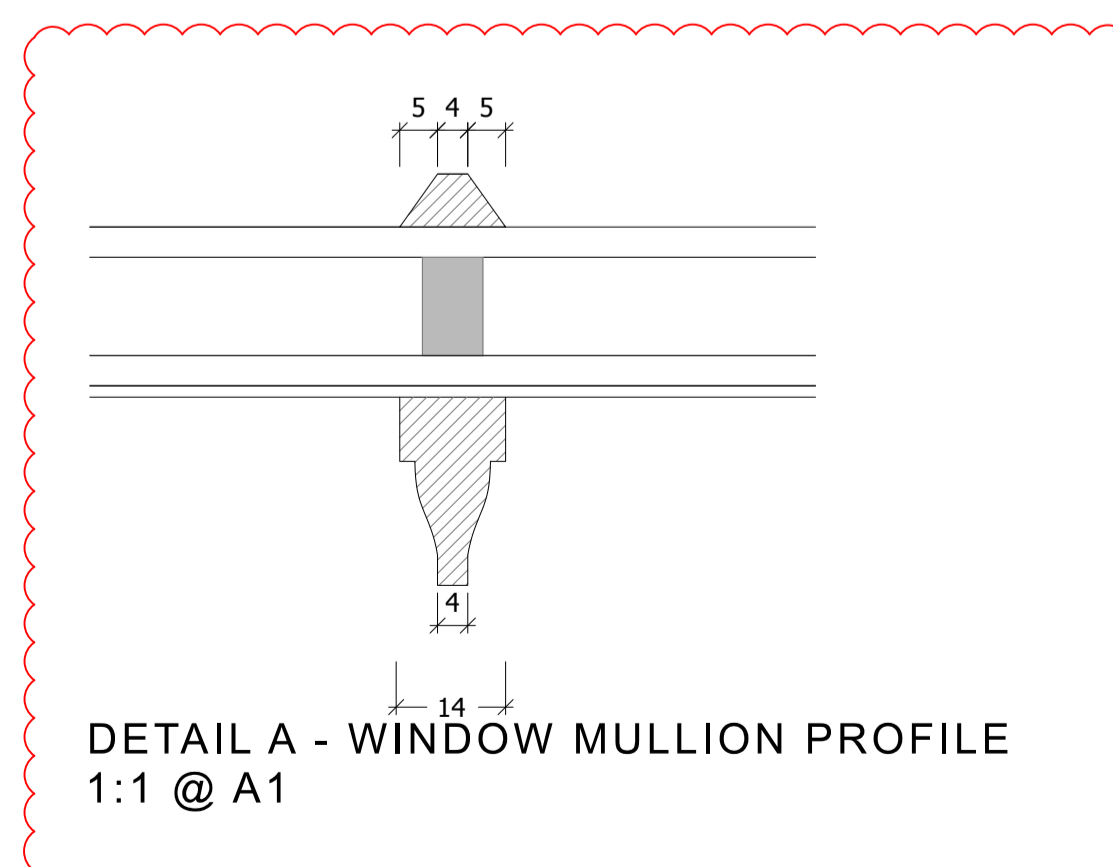
WINDOW TYPE 02 - ELEVATION
1:10 @ A1



WINDOW TYPE 02 - SECTION
1:10 @ A1



WINDOW TYPE 02 - PLAN
1:10 @ A1



DETAIL A - WINDOW MULLION PROFILE
1:1 @ A1

GENERAL NOTE

REVISIONS

- REV A - 13/12/2018
- DETAIL A REVISED

C L A R K E
P E N M A N

78 CROUCH HILL
LONDON N8 9EE
0207 263 7121

Project 38 ST PAUL'S CRESCENT
LONDON, NW1 9TN

Project No.
6249

Date NOVEMBER 2018
Scale / Format 1:10 @ A1 / 1:20 @ A3

Drawing No.
6252_03_511

Drawing Name PROPOSED WINDOW TYPE 02 DETAILS
Rev **A**

PLANNING