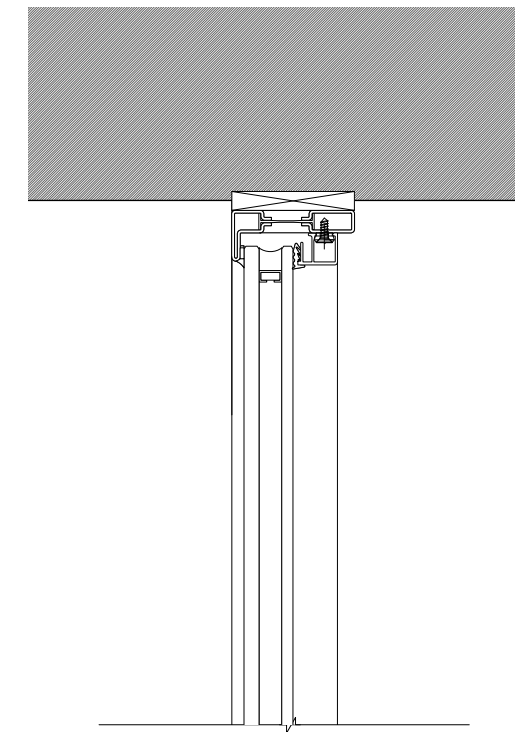


Jamb detail 1:2

External glazed screen:  
 new IQ Glass Mondrian CWS65 system  
 double glazed acoustic glass with thermally  
 broken metal frame.  
 RAL 8022



Head detail 1:2

HALF ACTUAL SIZE @ A1

Revision	Date	Amendment	Notes											Client	University College London		<b>Burwell Deakins</b>			
P1	11.12.18	Planning issue														Project		Wilkins Building Core Areas - The Garden Room		info@burwellarchitects.com www.burwellarchitects.com
															Drawing	External screen / door details				
															Scale	1:2 @ A1	Drawn	CL	Unit 001 California Building London SE13 7SF +44 (0) 2083 056010	
														Date	November 2018			First Floor 6 Southernhay West Exeter EX1 1JG +44 (0) 1392 423981		
														Project N°	791	Drawing N°	791/PL/021	Revision	P1	

NO DIMENSIONS ARE TO BE SCALED FROM THIS DRAWING. THE CONTRACTOR/MANUFACTURER IS RESPONSIBLE FOR CHECKING ALL DIMENSIONS AND QUERYING ANY DISCREPANCIES. THIS DRAWING IS THE PROPERTY OF BDA ARCHITECTS LTD. COPYRIGHT IS RESERVED BY THEM AND THE DRAWING IS ISSUED ON CONDITION THAT IT IS NOT COPIED, REPRODUCED, RETAINED OR DISCLOSED TO ANY UNAUTHORISED PERSON, EITHER WHOLLY OR IN PART, WITHOUT WRITTEN CONSENT.