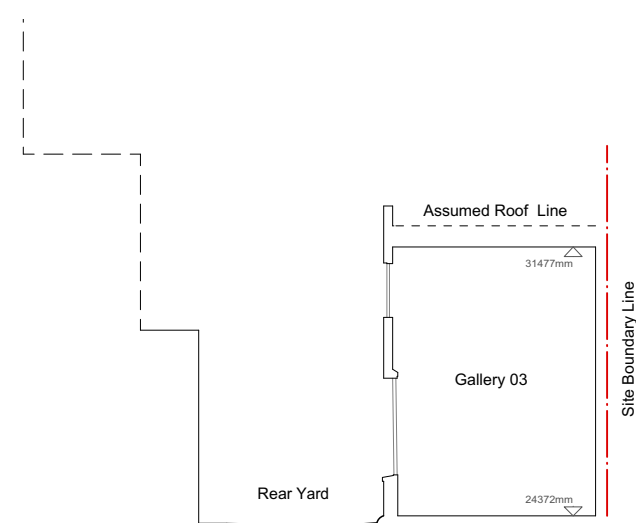
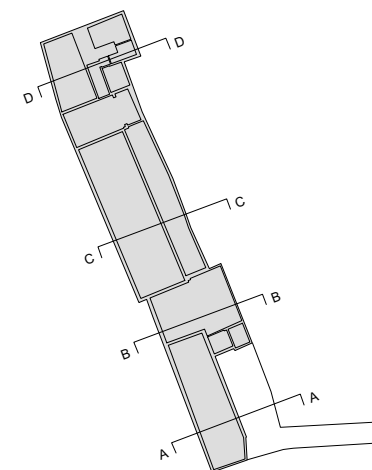
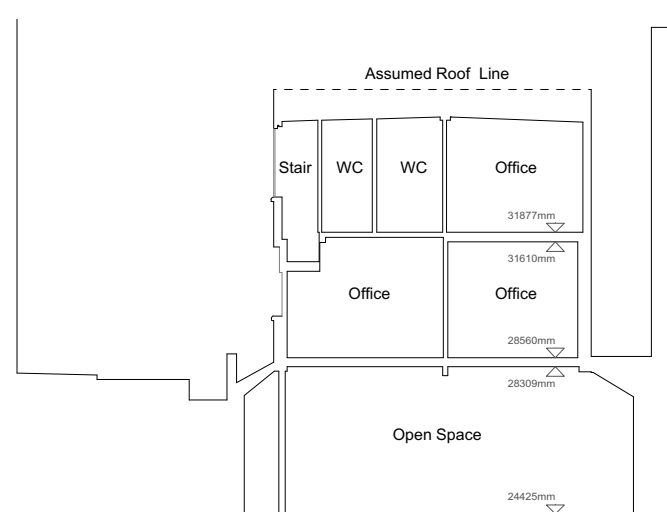


**Copyright pH+**  
 No implied licence exists. This drawing should not be used to calculate areas for the purpose of valuation. Do not scale this drawing. All dimensions to be checked on site by the contractor and such dimensions to be their responsibility. All work must comply with relevant British Standards and Building Regulations requirements. Drawing errors and omissions to be reported to the architect.

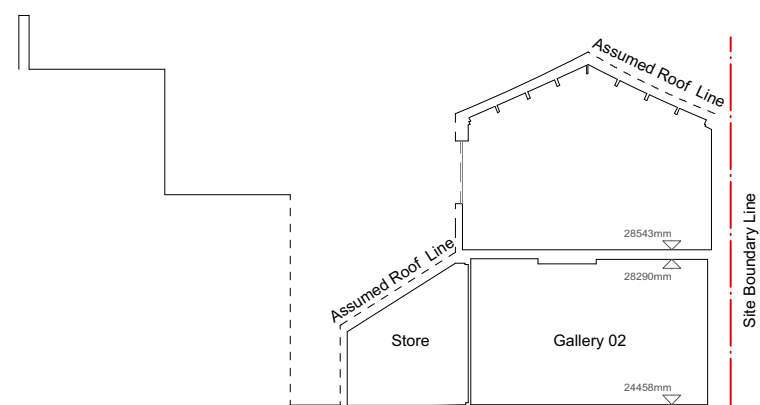
Revisions		
Rev. By	Date	Description
-	LLG 30/11/18	Preliminary



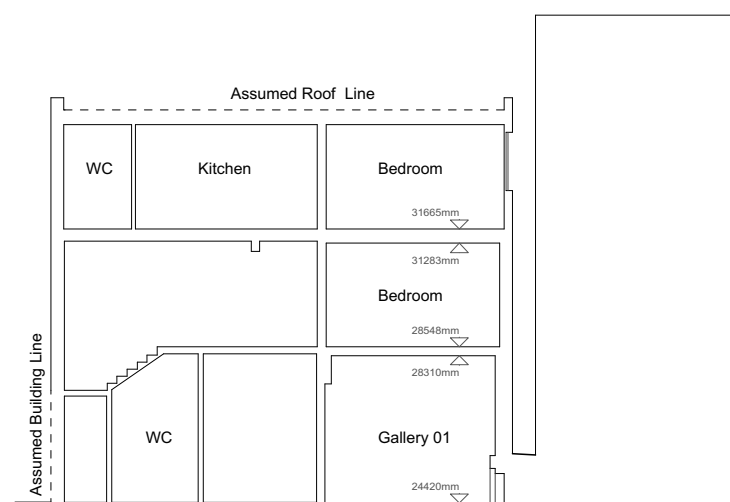
1 Section AA



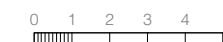
2 Section BB



3 Section CC



4 Section DD



**Puncher Hamilton Plus Ltd**

Albion Mills, 3rd Floor  
 18 East Tenter Street  
 London E1 8DN

t : +44 (0)20 7613 1965  
 e : mail@phplusarchitects.com  
 w : www.phplusarchitects.com

**Project Title**

Symes Works

**Project Address**

15a - 37 Camden High Street  
 London NW1 7JE

**Drawing Name**

Existing Sections AA - BB - CC - DD

**Status**

STAGE 2

**Scale**

A3 1:200  
 A1 1:400

Proj. No. Area Dwg. No. Type Rev  
 861 - X - 0030 - GA - -