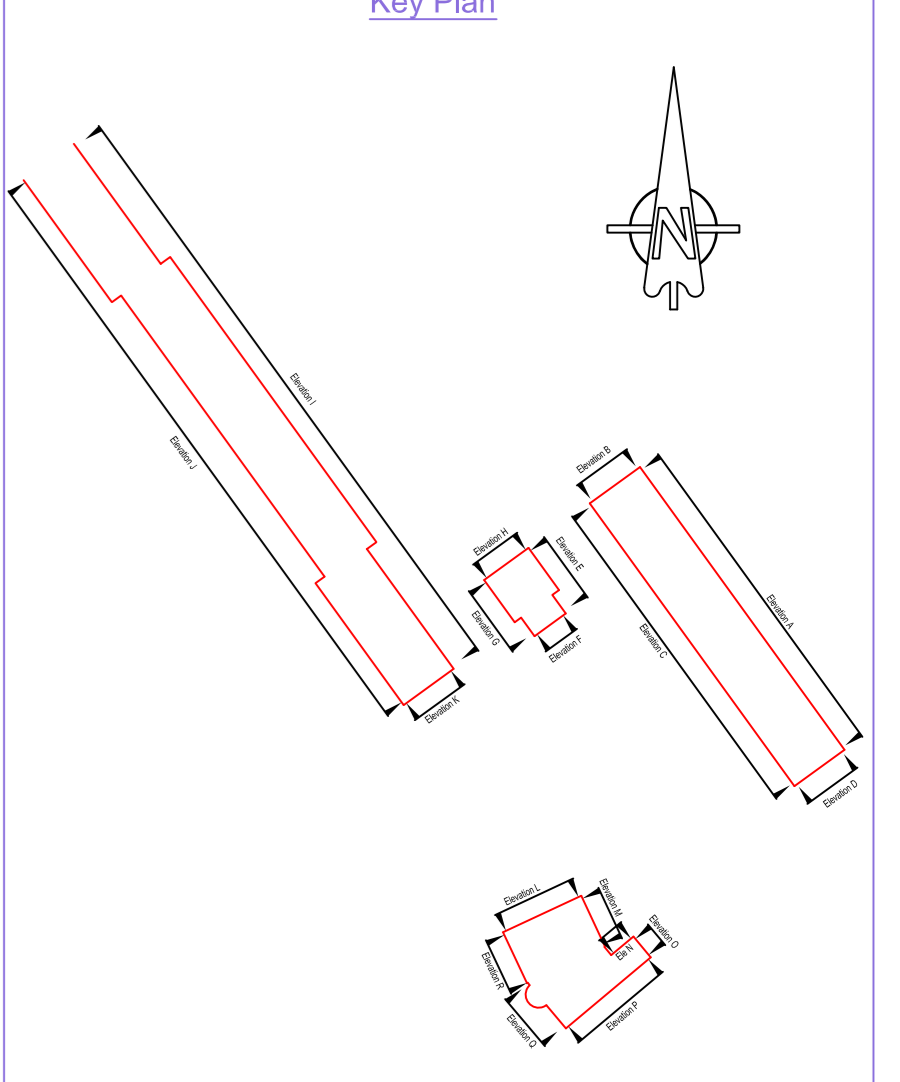


This survey has been conducted in accordance with the provisions of the Survey Act 1981 and the provisions of the Land Registration Act 2002. The survey is a planimetric survey and does not include any vertical measurements. The survey is a planimetric survey and does not include any vertical measurements. The survey is a planimetric survey and does not include any vertical measurements.

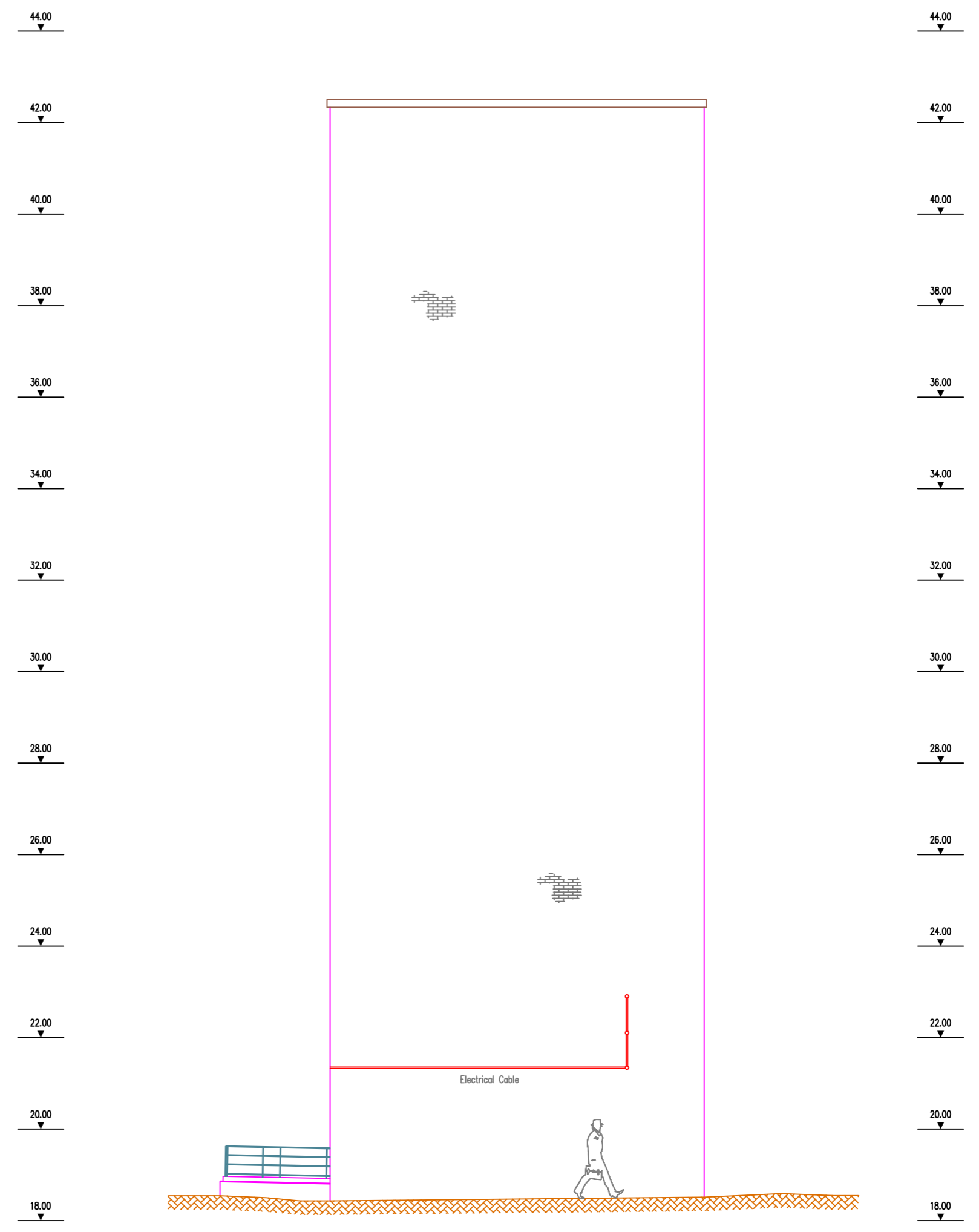


Grid & Datum
Survey Grid: Local Grid Nat. Grid Nat. Grid Ordnance Grid
Survey Datum: Local Datum Nat. Datum Nat. Datum O.D.M.

The survey grid & level datum relate to the Ordnance Survey active GPS network (OSGB36) established via Leica SmartNET 1, plotted with no scale factor applied.



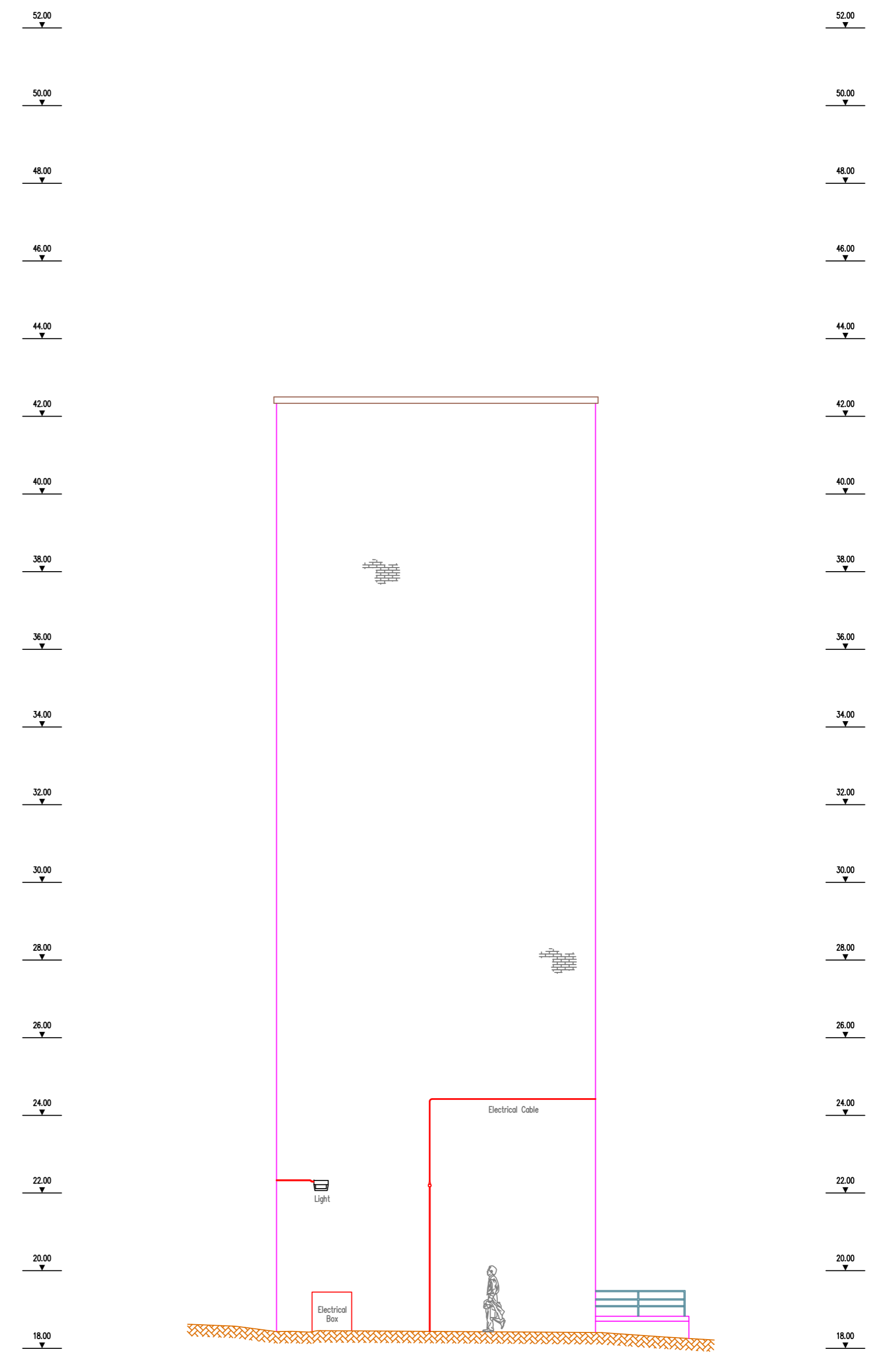
Elevation A



Elevation B



Elevation C



Elevation D

Revision table with columns: Rev, Date, Description, CAD

Client: **CYD PROJECTS LIMITED**
SURVEY · DESIGN · CONSTRUCTION · RESTORATION · REFINEMENT

measure manage deliver
Formby Surveys
Professional Measurement Surveyors

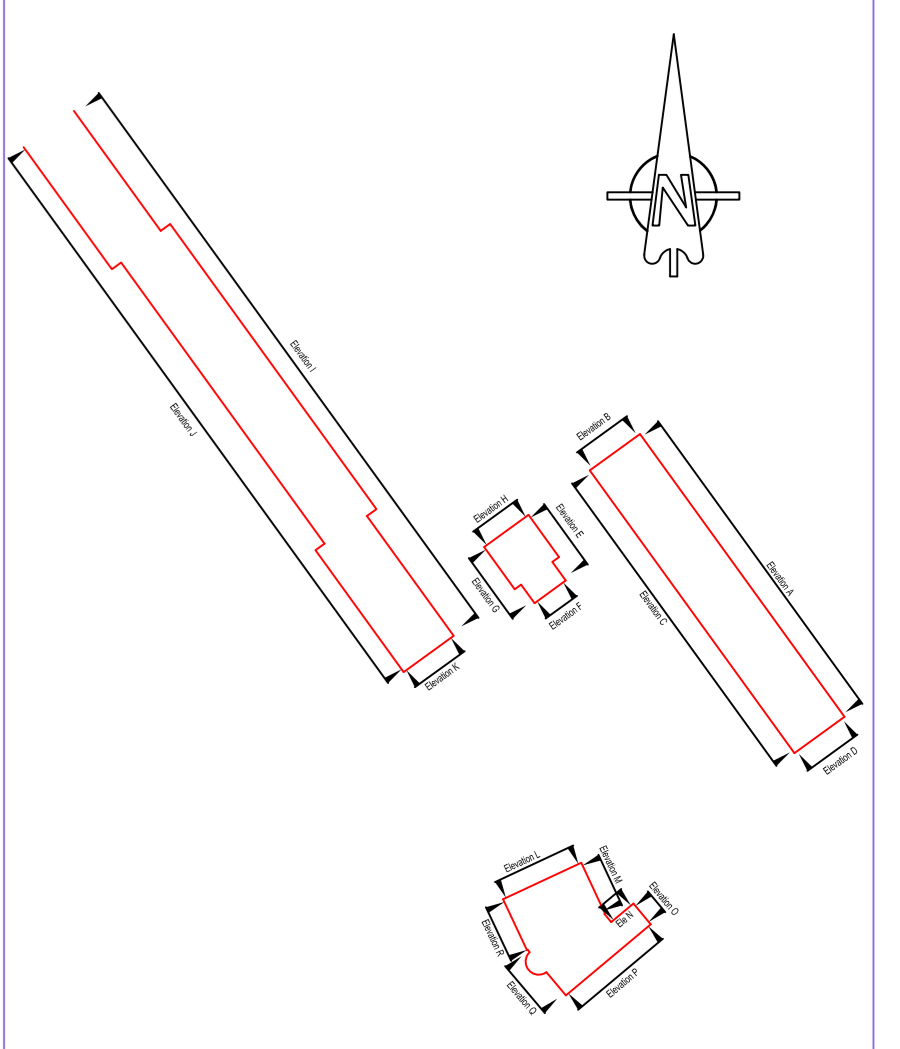
Formby Surveys Ltd T +44 (0)151 329 3040
The Hayes Building F +44 (0)151 329 3140
15-18 Johnson Street E info@formbysurveys.com
Liverpool E info@formbysurveys.com
L3 2BQ W www.formbysurveys.com

Elevations
Goldington Estate, Goldington Street
Kings Cross, London, NW1 1UE
Plotted Scale: A0 @ 1:100 0.0 2.0 4.0 6.0m
Surveyor: JJJ CAD: MT Checker: JO Rev:
Date of Issue: June 2016 FSL Ref No: 9574_E:100:1:4

QMS
fbc
SIRIOS

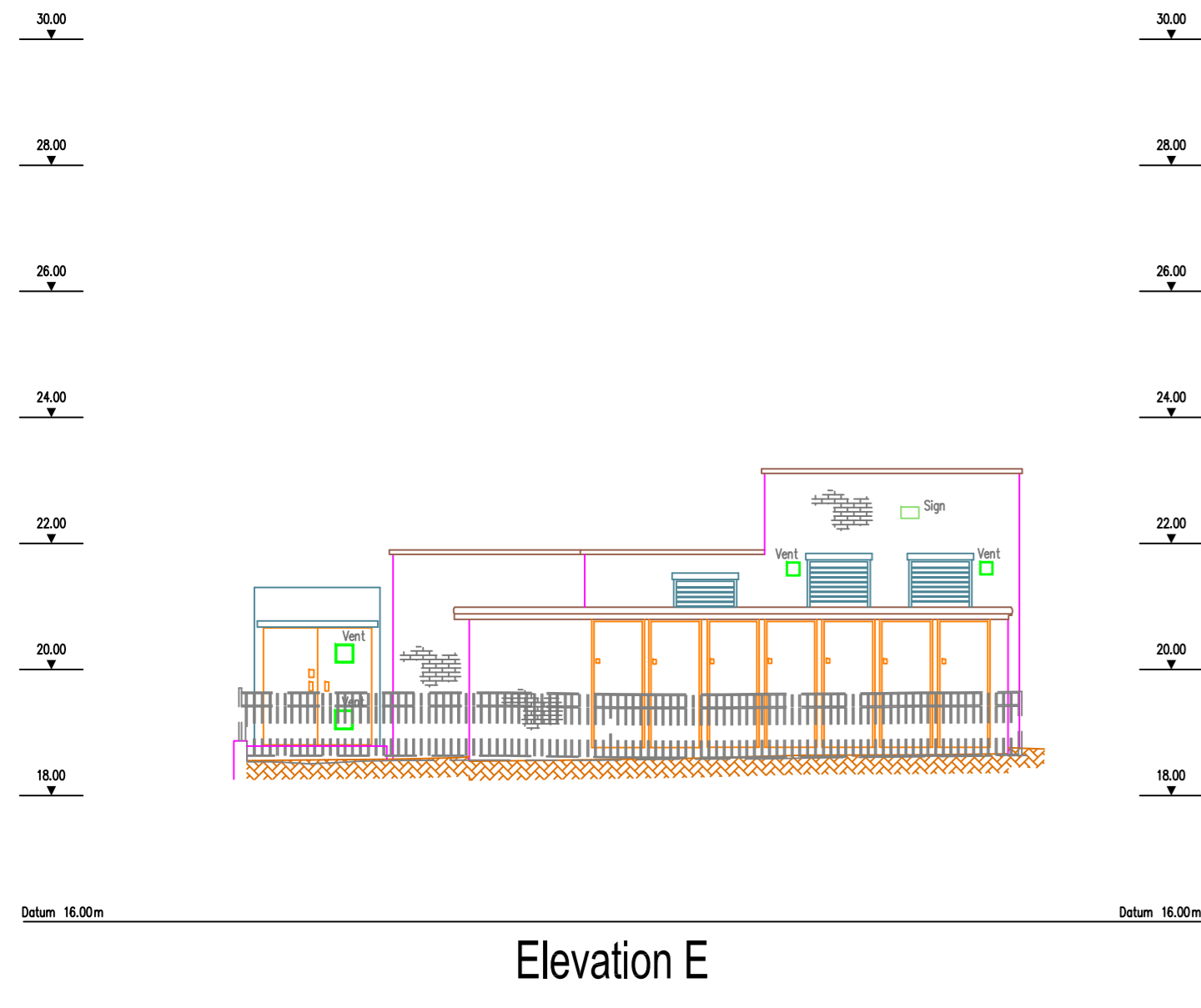
This survey has been conducted in accordance with the current best practice with the following assumptions: all measurements were taken with the surveyor standing on a firm, level surface. The surveyor was not wearing a safety harness and was not working at height. The surveyor was not wearing a safety harness and was not working at height. The surveyor was not wearing a safety harness and was not working at height.

Key Plan



Grid & Datum

Survey Grid: Local Grid Nat. Grid Grid Datum: Local Datum Nat. Datum OSBM The survey grid & level datum relate to the Ordnance Survey active GPS network (OSGBID) established via Leica SmartNET, plotted with no scale factor applied.



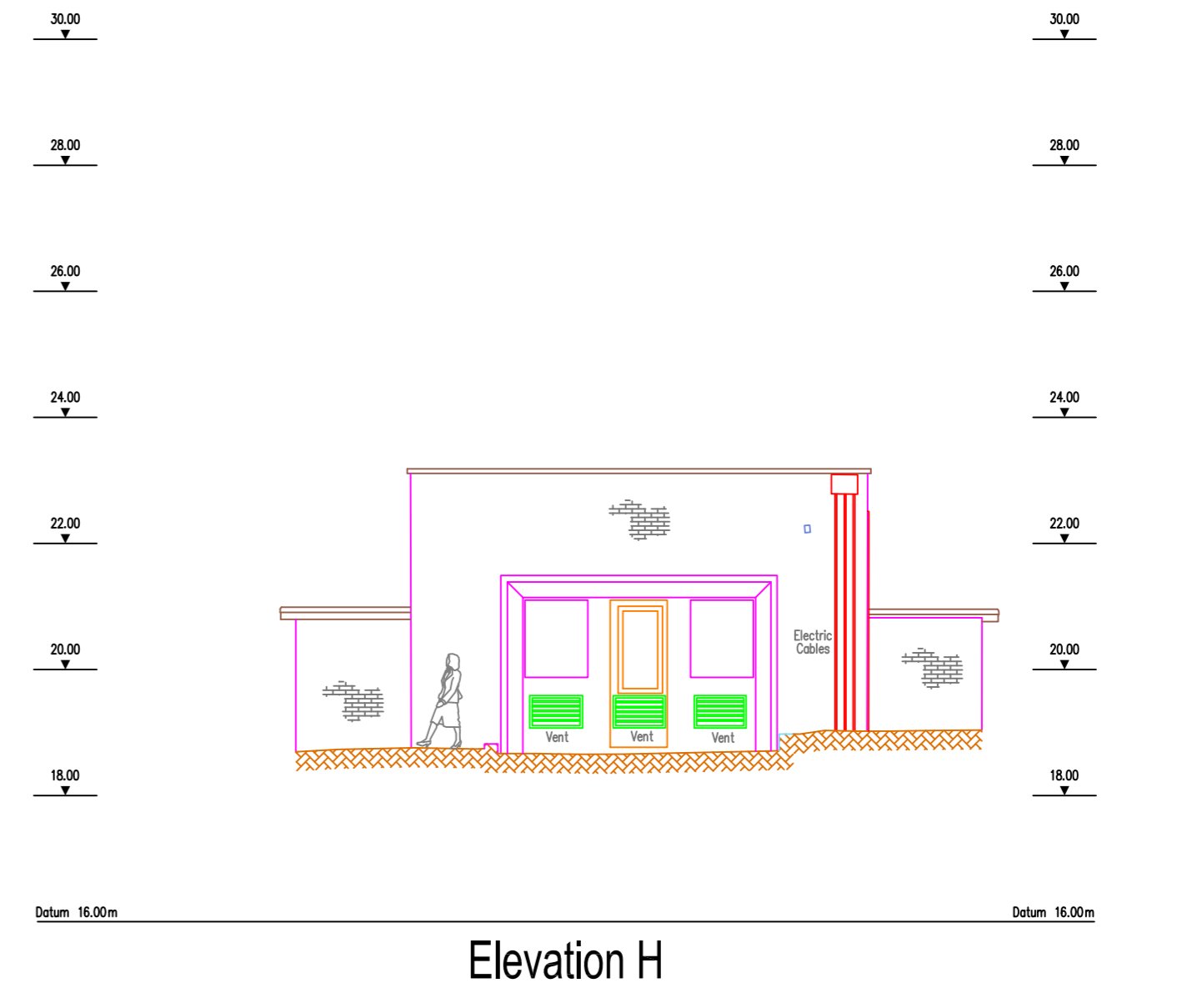
Elevation E



Elevation F



Elevation G



Elevation H



Elevation I

| Rev | Date | Description | CAD |
|-----|------|-------------|-----|
| | | | |

Client: **CYD PROJECTS LIMITED**
SURVEY · DESIGN · CONSTRUCTION · RESTORATION · REDEMPTION

measure manage deliver
Formby Surveys
Professional Measurement Surveyors

Formby Surveys Ltd T +44 (0)151 329 3040
The Hayes Building F +44 (0)151 329 3140
15-18 Johnson Street E info@formbysurveys.com
Liverpool W www.formbysurveys.com
L3 2BQ

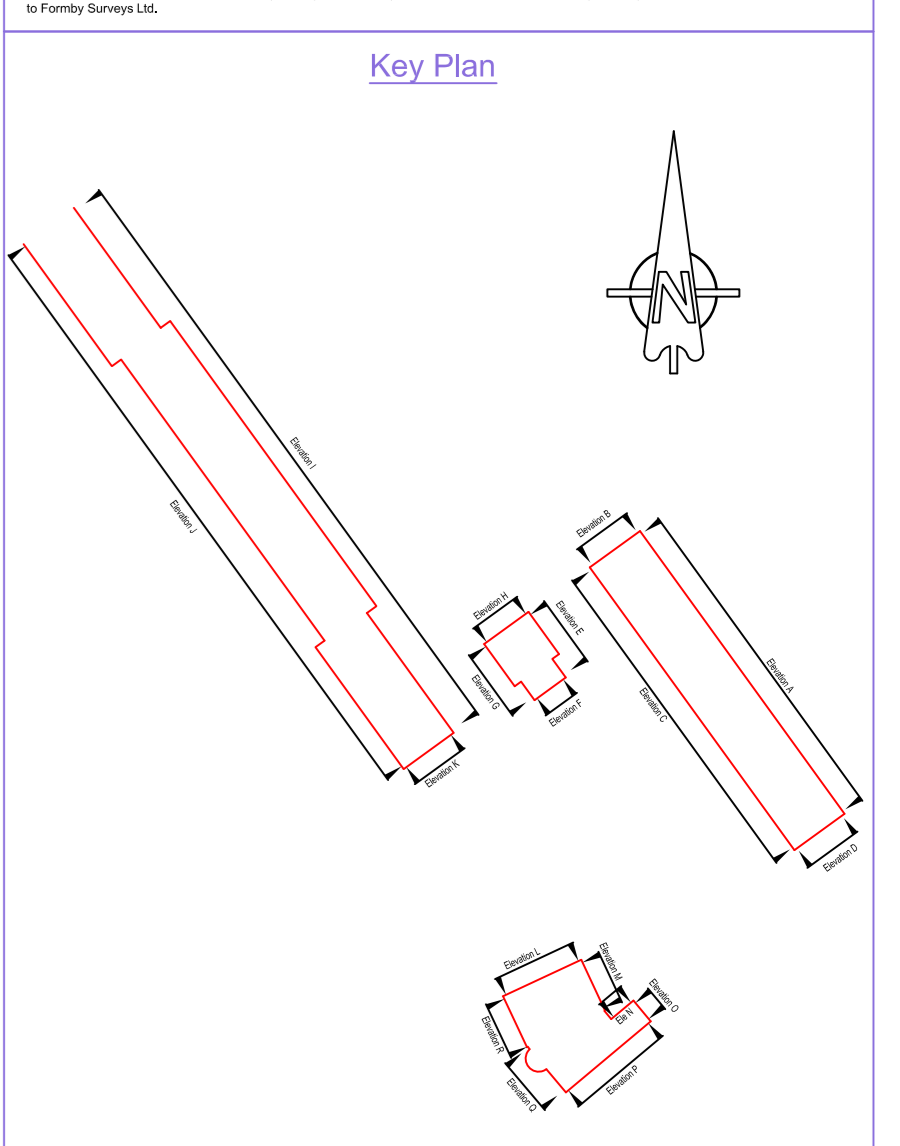
Elevations
Goldington Estate, Goldington Street
Kings Cross, London, NW1 1UE

Plotted Scale: A0@1:100 0.0 2.0 4.0 6.0m
We reserve the right to vary the scale.

Surveyor: JJD CAD: MT Checker: JO Rev:
Date of Issue: June 2016 FSL Ref No: 9574_E:100:2:4

GMS® fbe

This survey has been conducted at the surveyor's sole discretion and the surveyor is not liable for any errors or omissions. The surveyor is not liable for any errors or omissions. The surveyor is not liable for any errors or omissions. The surveyor is not liable for any errors or omissions.

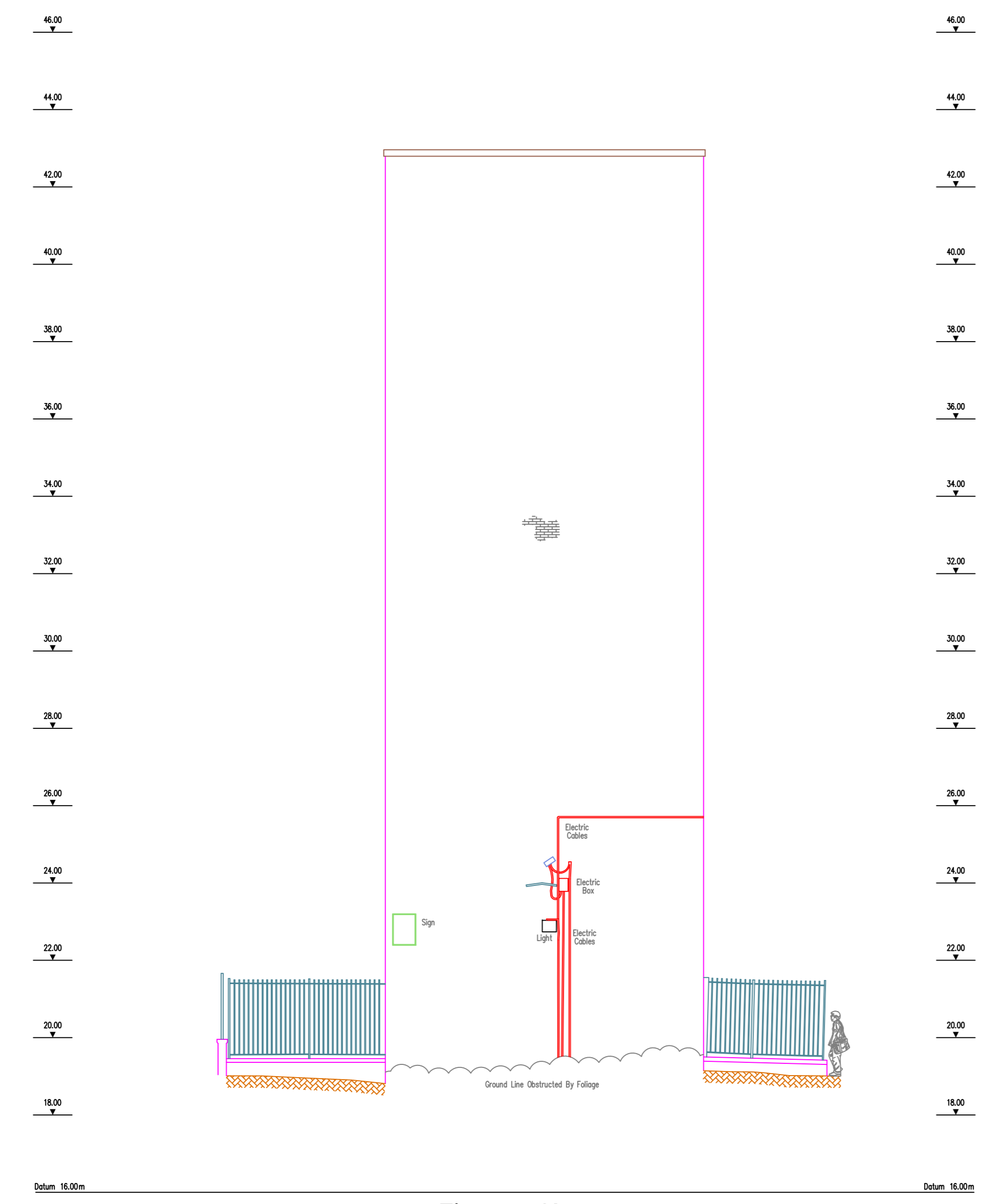


Grid & Datum
 Survey Grid: Local Grid Nat. Grid Easting Grid
 Survey Datum: Local Datum Nat. Datum O.D.B.M.

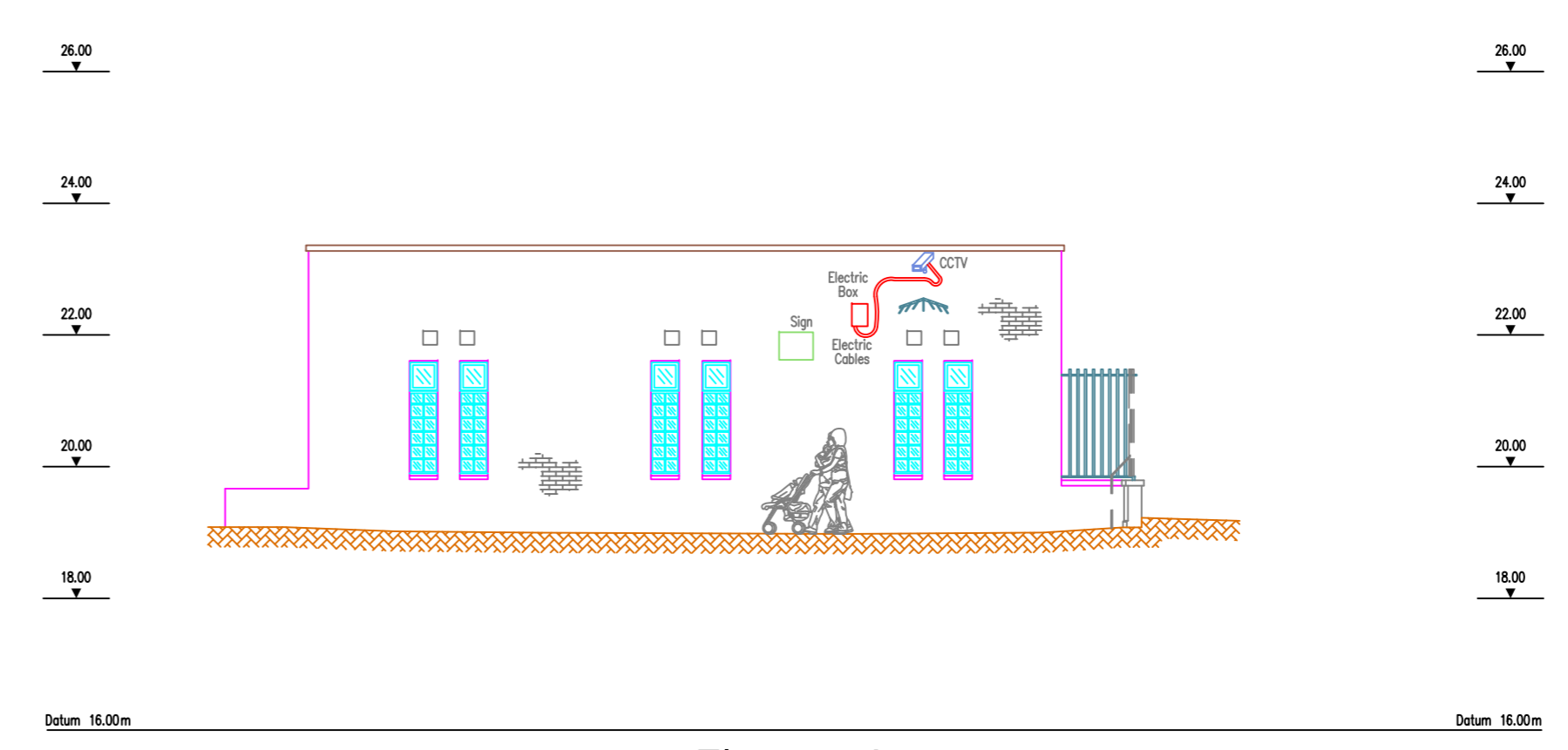
The survey grid & level datum relate to the Ordnance Survey active GPS network (OSDBN) established via Leica SmartNET, plotted with no scale factor applied.



Elevation J



Elevation K



Elevation L

| Rev | Date | Description | CAD |
|-----|------|-------------|-----|
| | | | |

Client: **CYD PROJECTS LIMITED**
 SURVEY · DESIGN · CONSTRUCTION · RESTORATION · REINTERIORMENT

measure manage deliver
FormbySurveys
 Professional Measurement Surveyors

Formby Surveys Ltd T +44 (0)151 329 3040
 The Hayes Building F +44 (0)151 329 3140
 15-18 Johnson Street E info@formbysurveys.com
 Liverpool W www.formbysurveys.com
 L3 2BQ

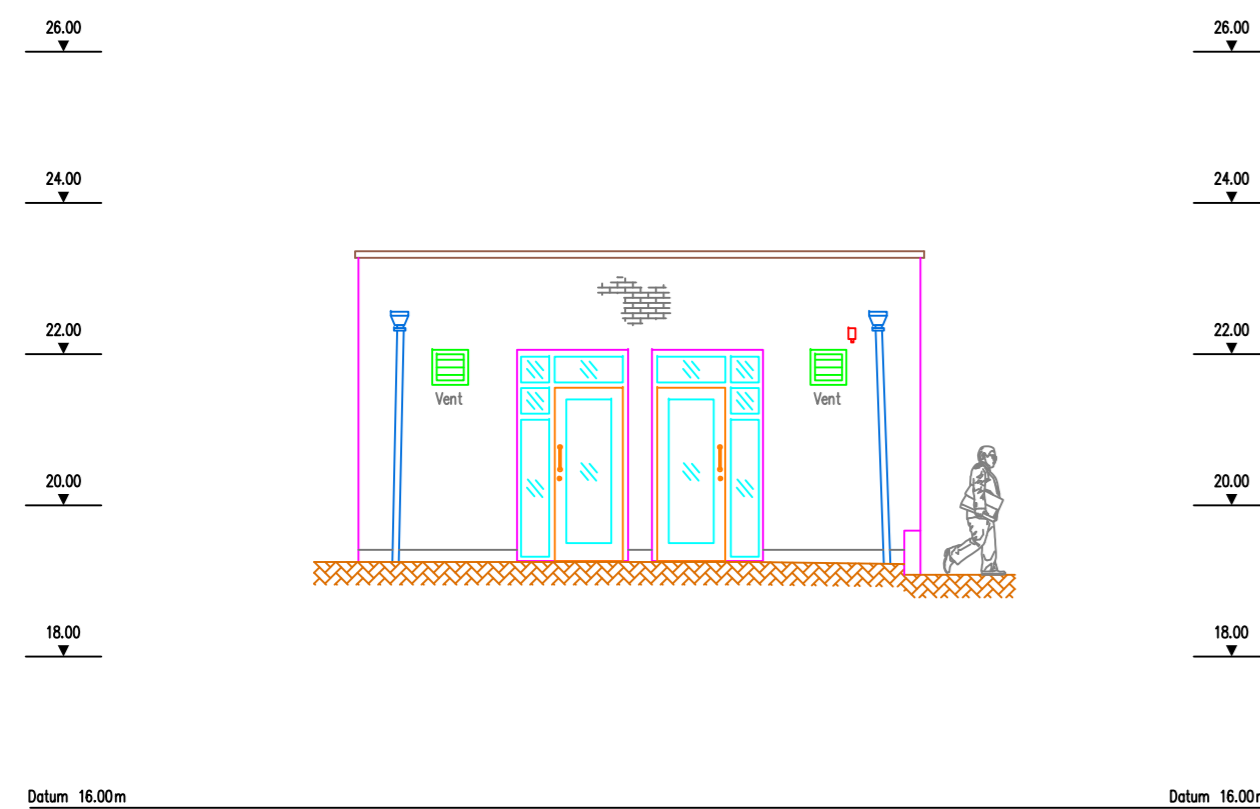
Elevations

Goldington Estate, Goldington Street
 Kings Cross, London, NW1 1UE

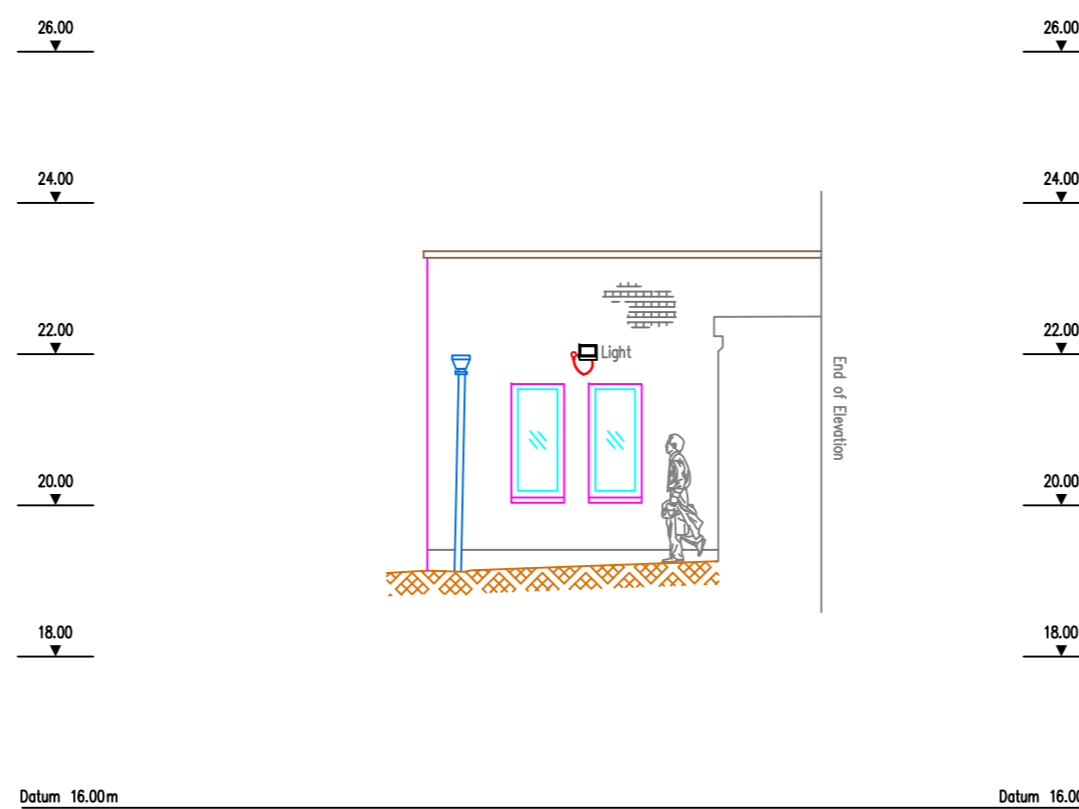
Plotted Scale: A0 @ 1:100 0.0 2.0 4.0 6.0m
 Working Scale: 1:50

| Surveyor | JJD | CAD | MT | Checker | JD | Rev. |
|----------------|-----------|-------------|----------------|---------|----|------|
| Date of Issue: | June 2016 | FSL Ref No: | 9574_E:100:3:4 | | | |

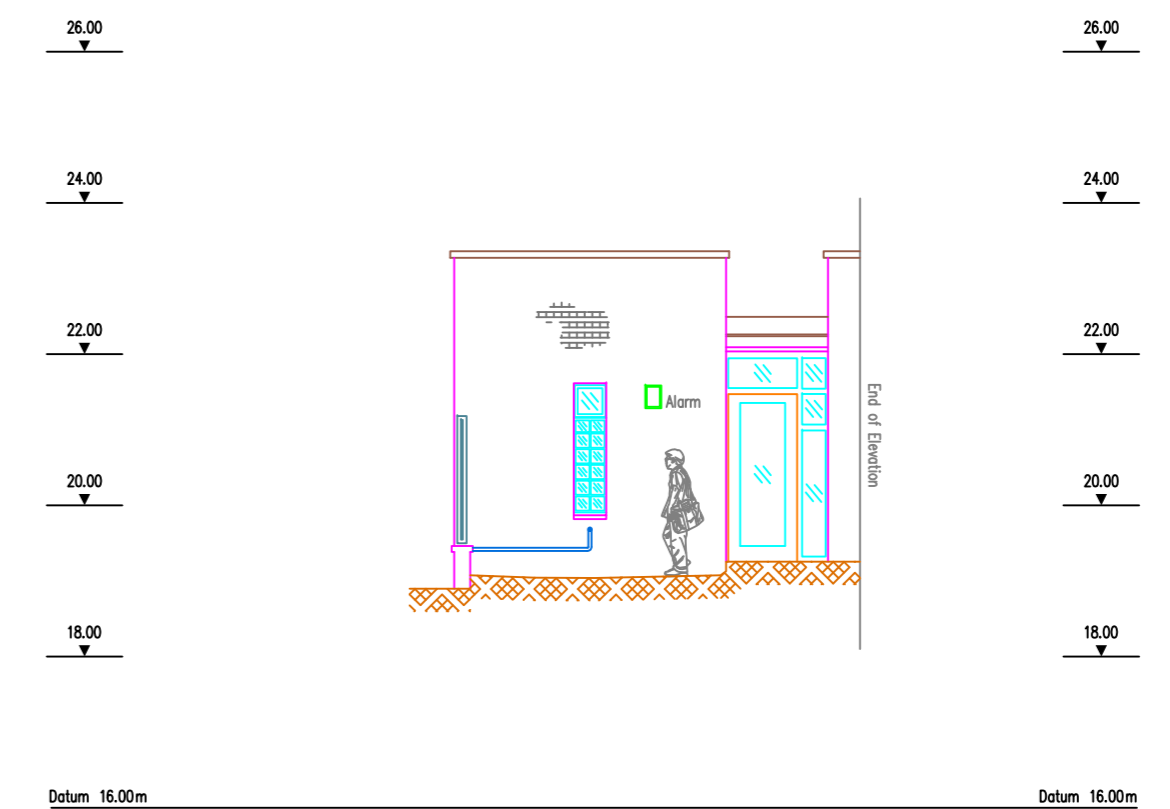




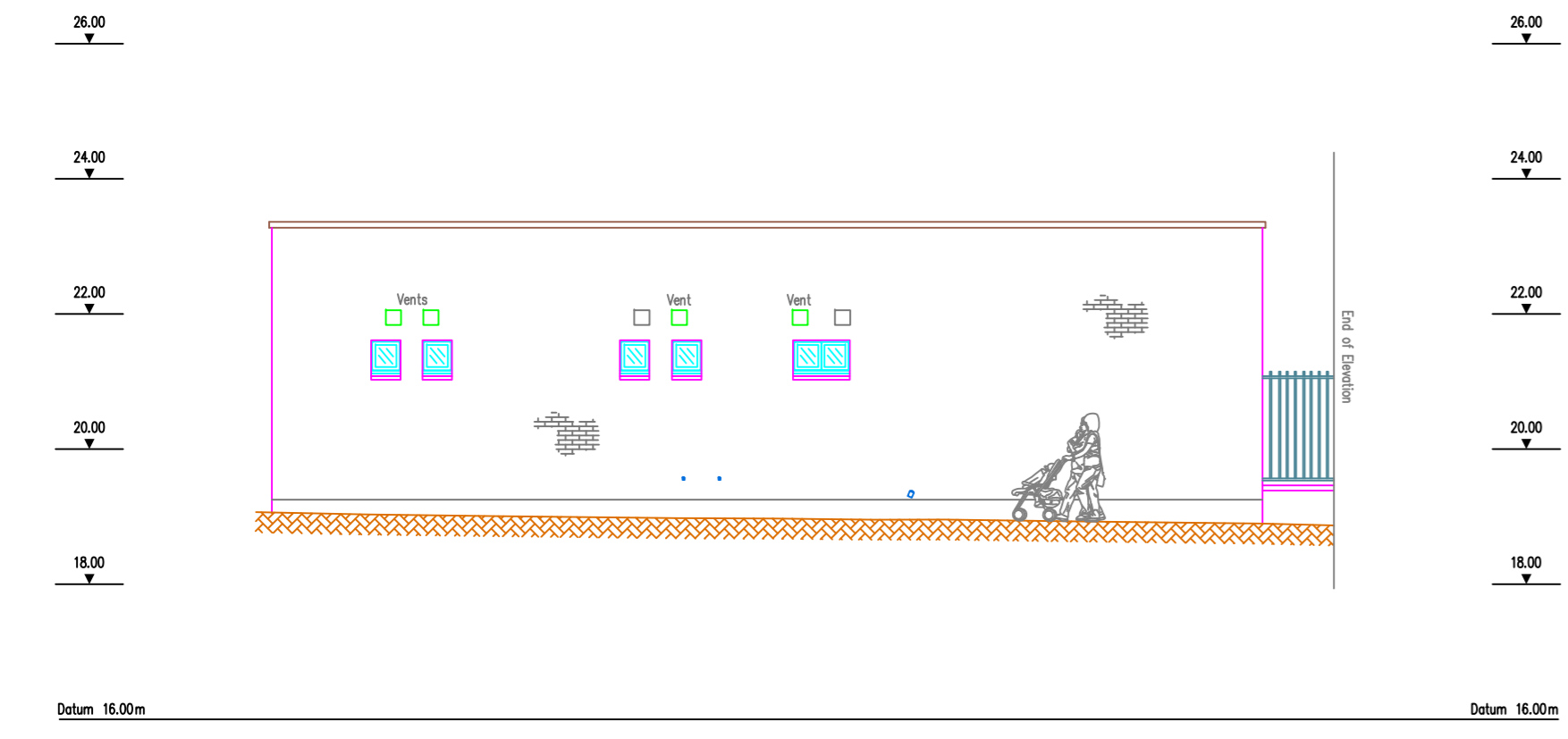
Elevation M



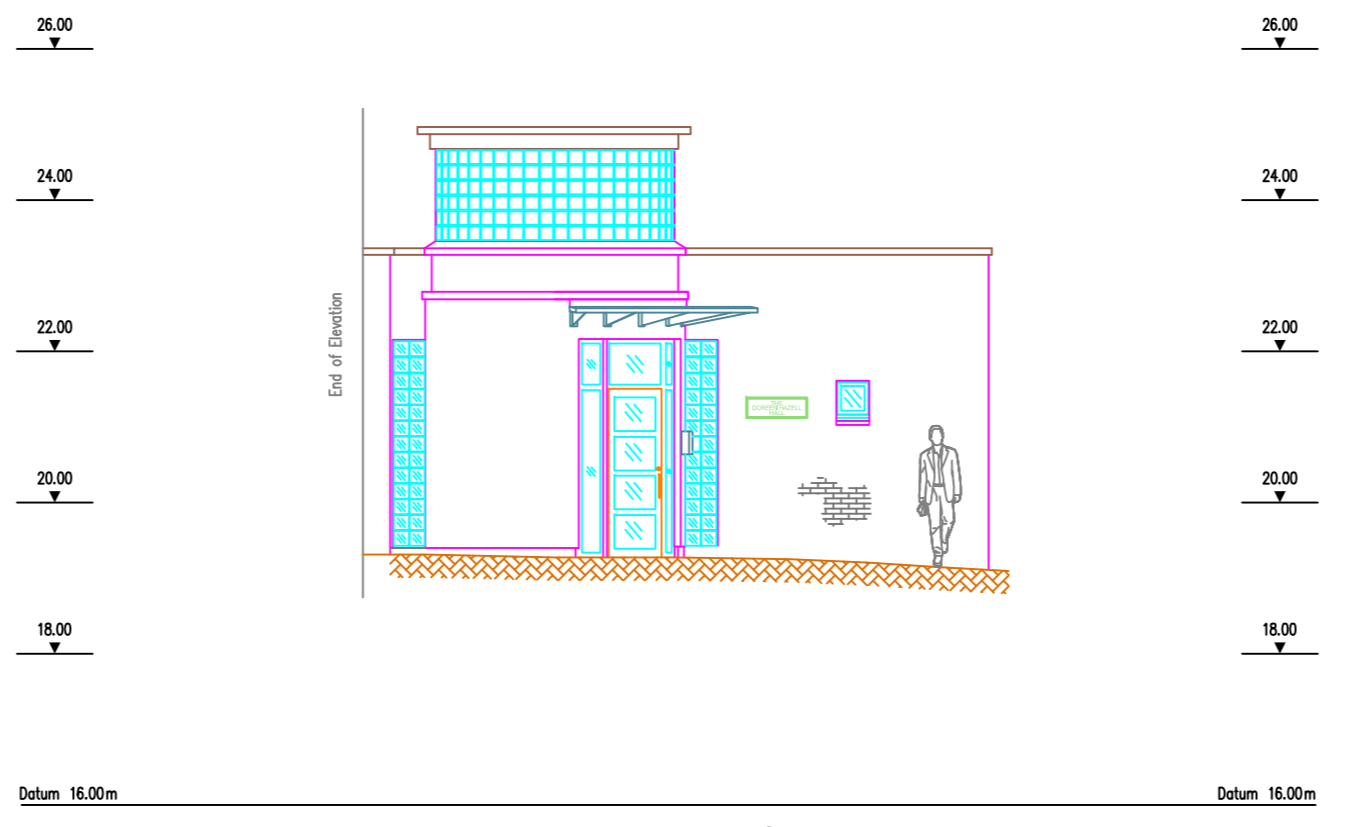
Elevation N



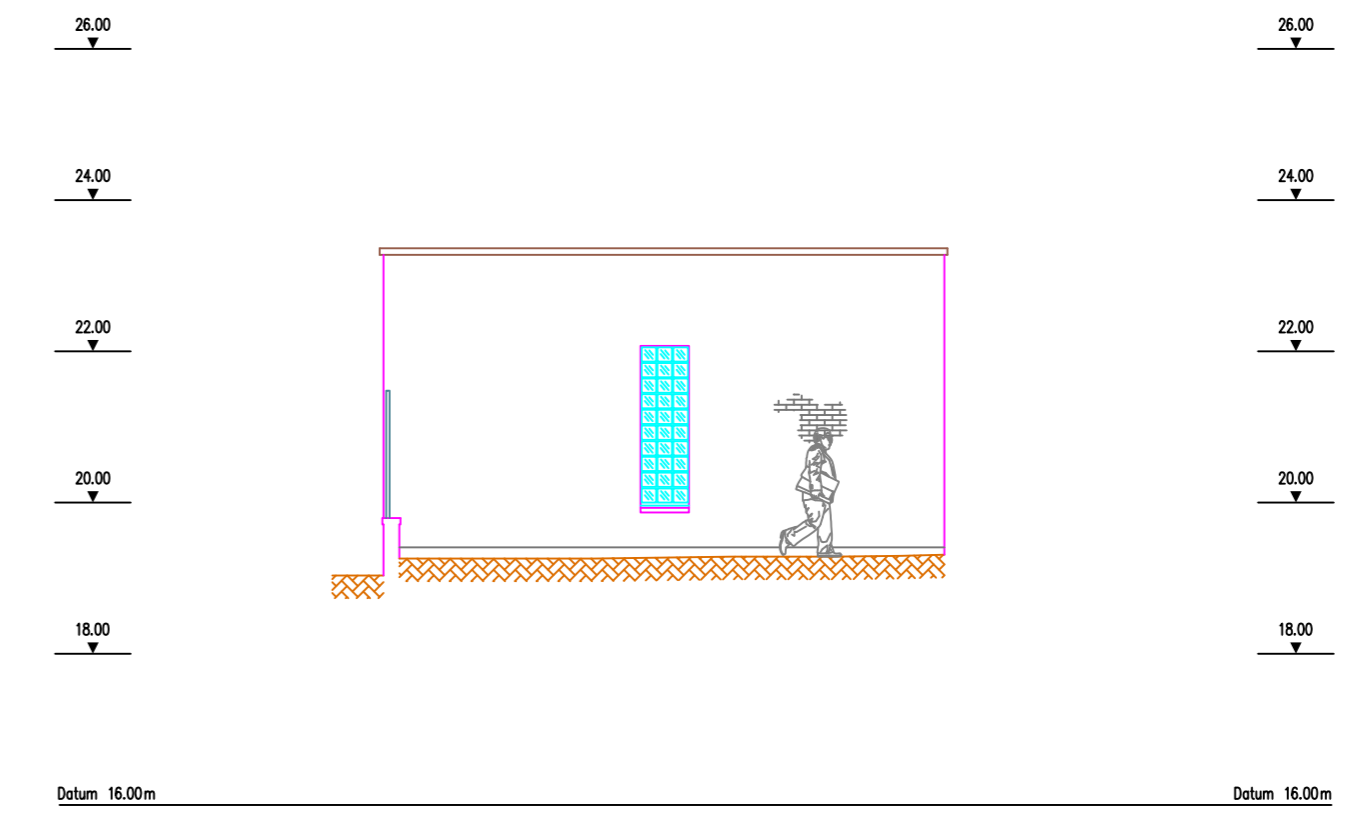
Elevation O



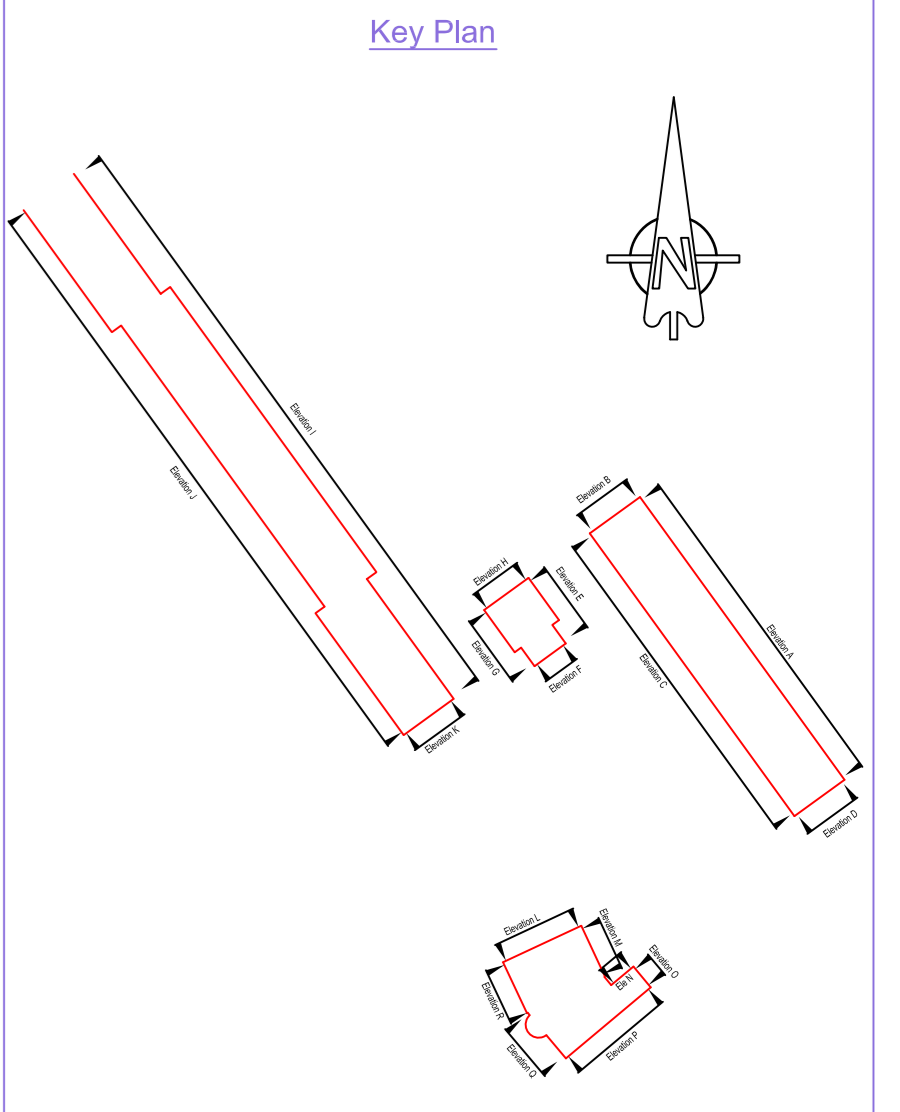
Elevation P



Elevation Q



Elevation R



Key Plan

Grid & Datum

Survey Grid: Local Grid Nat. Grid Easting Grid
 Survey Datum: Local Datum Nat. Datum OS BM

The survey grid & level datum relate to the Ordnance Survey active GPS network (OSDB2003) established via Leica SmartNET 1, plotted with no scale factor applied.

| Rev | Date | Description | CAD |
|-----|------|-------------|-----|
| | | | |



measure manage deliver
FormbySurveys
 Professional Measurement Surveyors

Formby Surveys Ltd T +44 (0)151 329 3040
 The Hayes Building F +44 (0)151 329 3140
 15-18 Johnson Street E info@formbysurveys.com
 Liverpool W www.formbysurveys.com
 L3 2BQ



Elevations

Goldington Estate, Goldington Street
 Kings Cross, London, NW1 1UE

Plotted Scale: A0@1:100 0.0 2.0 4.0 6.0m
 We reserve the right to modify the scale.

| | | | |
|---------------|---------|-------------|------|
| Surveyor: JJD | CAD: MT | Checker: JD | Rev: |
|---------------|---------|-------------|------|

Date of Issue: June 2016 FSL Ref No: 9574_E:100:4:4